



SOUTHERN CALIFORNIA HYDRAULIC ENGINEERING CORPORATION

Designer and Manufactures of Hydraulic & Pneumatic Equipment

1130 COLUMBIA STREET, BREA, CALIFORNIA 92821

DATE: 7-14-2010
REV: NC

PUMP ASSEMBLY 10-5VE0W003

AIR MOTOR ASSY
11-5179A000V

HYDRAULIC ASSY
11-5162W000E

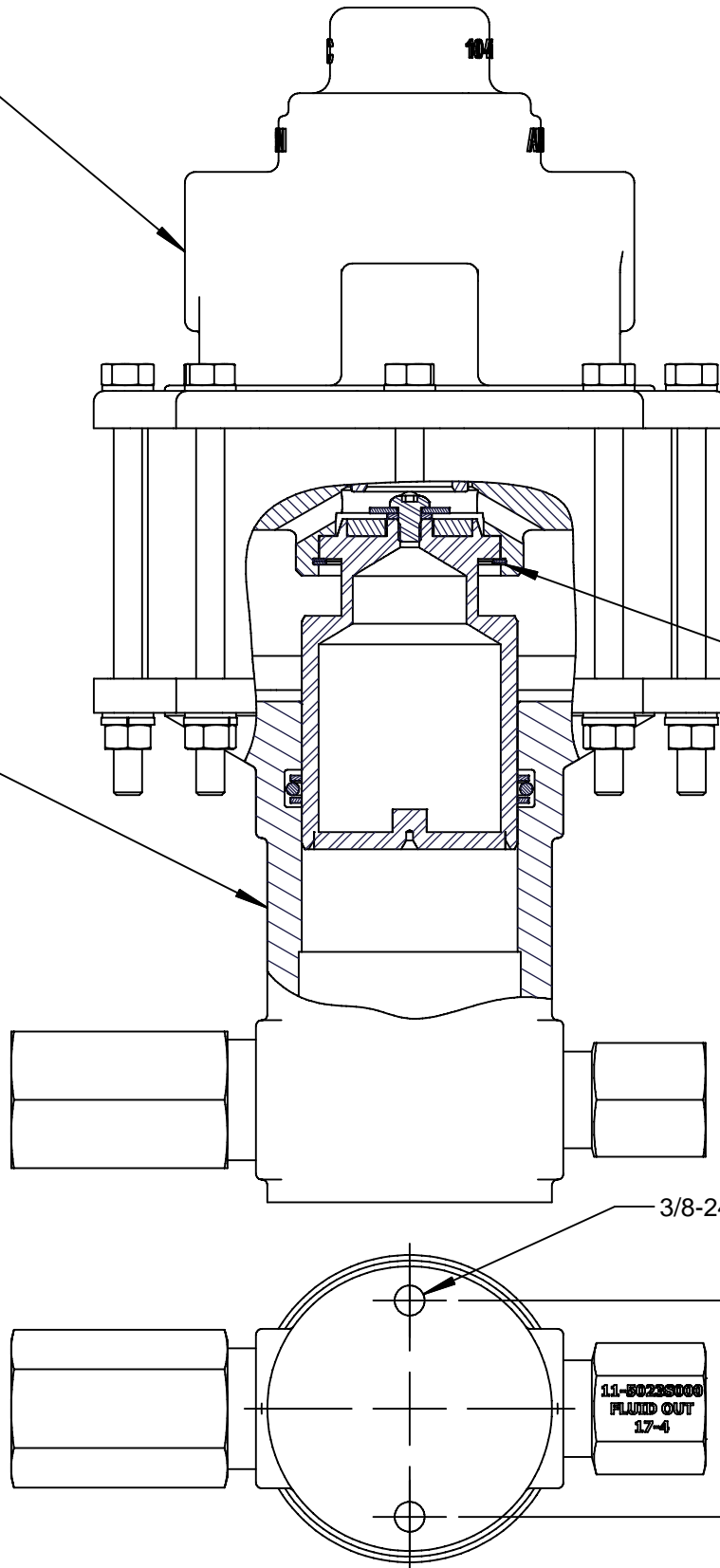
RETAINING RING
12-R200S000 (REF)

3/8-24 UNF - 2B ∇ .750

11-5023S000
FLUID OUT
17-4

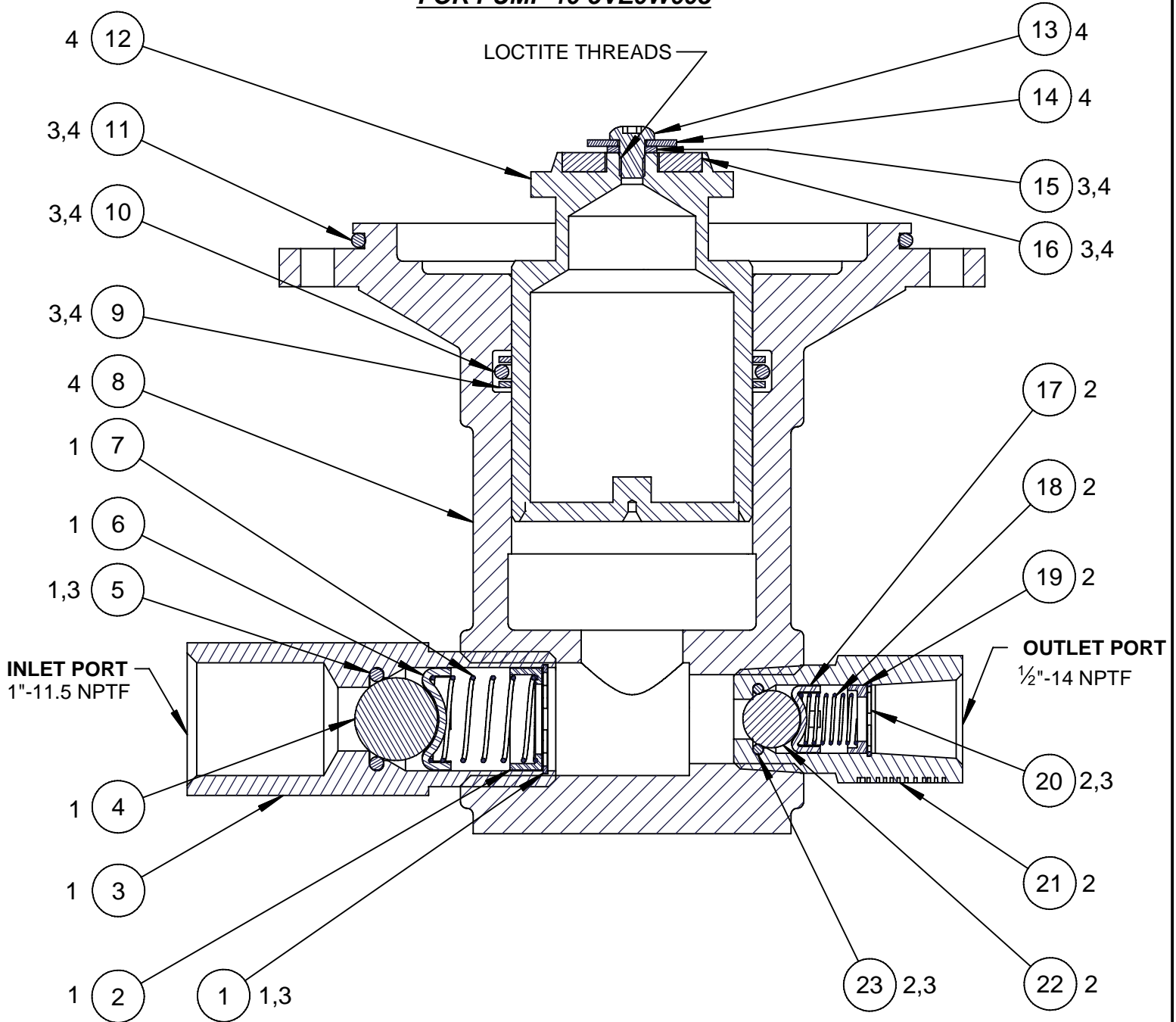
2.375

MOUNTING DIMENSIONS





HYDRAULIC ASSEMBLY 11-5162W000E
FOR PUMP 10-5VE0W003



4. INCLUDED IN 11-5217W000E* PISTON & CYLINDER ASSEMBLY.

3. INCLUDED IN 11-5148E003* HYDRAULIC REPAIR KIT.

2. INCLUDED IN 11-5023S000E OUTLET CHECK VALVE ASSEMBLY.

1. INCLUDED IN 11-5031S000E INLET CHECK VALVE ASSY.

* REPRESENTS PUMP ASSY
MODEL NO.

NOTES: UNLESS OTHERWISE SPECIFIED:



SOUTHERN CALIFORNIA HYDRAULIC ENGINEERING CORPORATION

Designer and Manufactures of Hydraulic & Pneumatic Equipment

1130 COLUMBIA STREET, BREA, CALIFORNIA 92821

BILL OF MATERIALS

DRAWING NUMBER & DESCRIPTION: 10-450-162E; 11-5162W000E HYDRAULIC ASSY

REVISION: NC, 7-14-2010

ITEM	QTY	PART NUMBER	DESCRIPTION	REF.NO.
1	1	P10202-100	RETAINING RING	
2	1	11-5032S000	SPRING GUIDE	10-450-32
3	1	11-5035S000	FITTING INLET	10-450-35
4	1	12-0440S812	BALL-CHECK	
5	1	P11006-210	O-RING	12-6227E015
6	1	11-5034S003	BALL GUIDE	10-450-34
7	1	11-5033S000	SPRING	10-450-33
8	1	11-5110A000	CYLINDER-END, HYDRAULIC	10-450-110
9	2	P11227-332	BACK UP	
10	1	P11006-332	O-RING	
11	1	P11006-252	O-RING	
12	1	11-5109S000	PISTON, HYDRAULIC	10-450-109
13	1	12-25F37SBC45Z	BUTTON HD. CAP SCREW	
14	1	12-25N87WF1Z	FENDER WASHER	
15	1	P10212-025	WASHER-LOCK	
16	1	11-5051P000	PISTON BUMBER	10-450-51
17	1	11-5034S002	BALL GUIDE	10-450-34-2
18	1	11-5013S000	SPRING	10-450-13
19	1	11-5017S000	SPRING GUIDE	10-450-17
20	1	P10202-068	RETAINING RING	
21	1	11-5020S000	FITTING - OUTLET	10-450-20
22	1	12-0440S562	CHECK BALL	
23	1	P11006-112	O-RING	

WHERE USED: 10-5VE0W003