



SOUTHERN CALIFORNIA HYDRAULIC ENGINEERING CORPORATION
Designer and Manufacturer of Hydraulic & Pneumatic Equipment

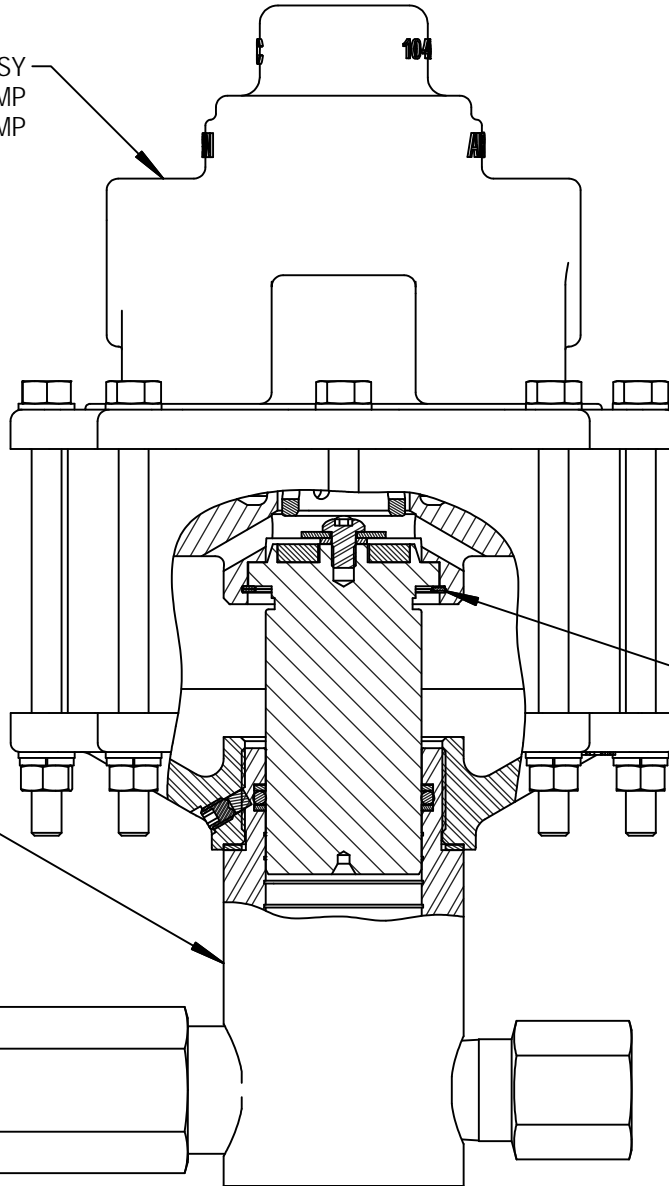
1130 COLUMBIA STREET, BREA, CALIFORNIA 92821

DATE: 12/17/2019
REV: N/C

NON-LUBE PUMP ASSEMBLY 10-5VE0S005 THRU S010
LUBE PUMP ASSEMBLY 10-5VE0S005L THRU S010L

(NOTE: P/N 10-50E0S005 THRU S010 WAS D50E0S10 THRU S20)

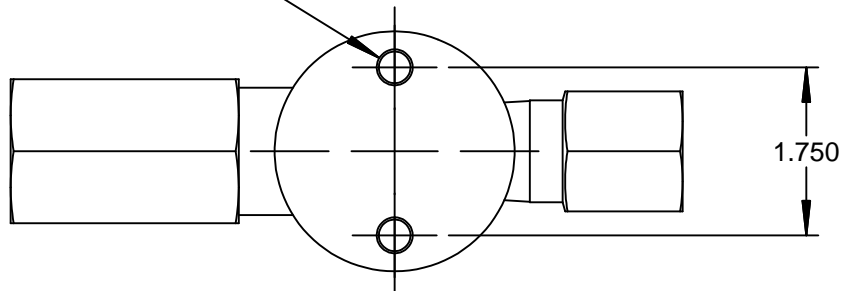
AIR MOTOR ASSY
11-5113ADL0V FOR NON-LUBE PUMP
11-5113A000V FOR LUBE PUMP



RETAINING RING
12-R200S00 (REF)

HYDRAULIC ASSY
11-5026S005E
11-5026S007E
11-5026S010E

3/8-24 UNF - 2B ∇ .750



MOUNTING DIMENSIONS



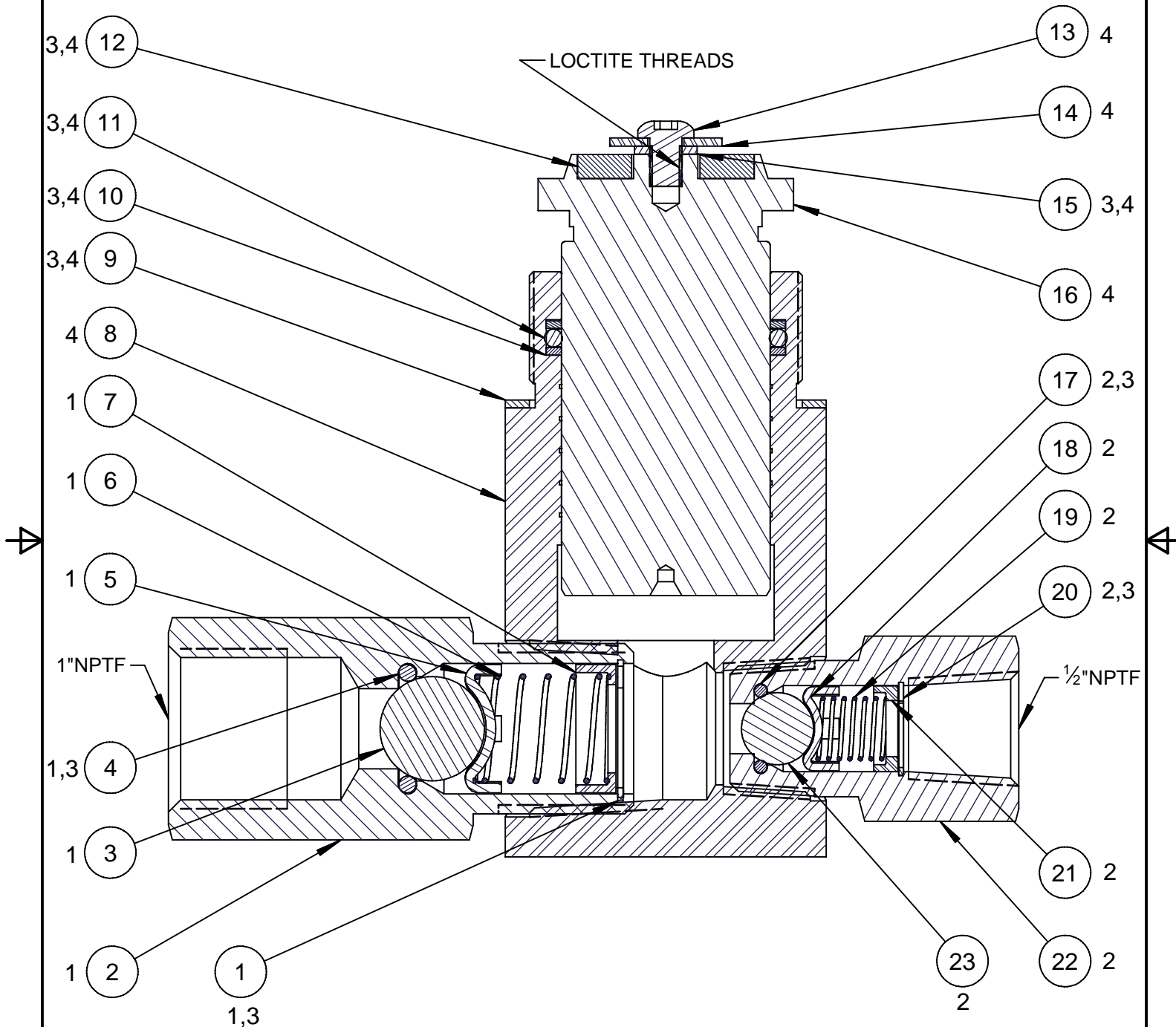
SOUTHERN CALIFORNIA HYDRAULIC ENGINEERING CORPORATION

Designer and Manufacturer of Hydraulic & Pneumatic Equipment

1130 COLUMBIA STREET, BREA, CALIFORNIA 92821

DATE: 07-12-2010
REV: N/C

HYDRAULIC ASSEMBLY 11-5026S005E THRU S010E



4. INCLUDED IN 11-5027SXXXE* PISTON & CYLINDER ASSEMBLY.

3. INCLUDED IN 11-5148EXXX* HYDRAULIC REPAIR KIT.

2. INCLUDED IN 11-5023S000E OUTLET CHECK VALVE ASSEMBLY.

1. INCLUDED IN 11-5031S000E INLET CHECK VALVE ASSY.

*XXX REPRESENTS PUMP ASSY
MODEL NO.

NOTES: UNLESS OTHERWISE SPECIFIED:



SOUTHERN CALIFORNIA HYDRAULIC ENGINEERING CORPORATION

Designer and Manufacturer of Hydraulic & Pneumatic Equipment

1130 COLUMBIA STREET, BREA, CALIFORNIA 92821

BILL OF MATERIALS

DRAWING NUMBER & DESCRIPTION: 10-450-026E; 11-5026S005E THRU S010E HYDRAULIC ASSY

REVISION: N/C, 07-12-2010

ITEM	QTY	PART NUMBER	DESCRIPTION	S005E	S007E	S010E	REF.NO.
1	1	P10202-100	RETAINING RING	X	X	X	
2	1	11-5035S000	FITTING-INLET	X	X	X	10-450-35
3	1	12-0440S812	BALL-CHECK VALVE	X	X	X	
4	1	P11006-210	O-RING	X	X	X	12-6227E015
5	1	11-5034S003	BALL GUIDE	X	X	X	10-450-34-3
6	1	11-5033S000	SPRING	X	X	X	10-450-33
7	1	11-5032S000	SPRING GUIDE	X	X	X	10-450-32
8	1	11-5011S005	HYDRAULIC CYLINDER	X			10-450-11-.5
8	1	11-5011S007	HYDRAULIC CYLINDER		X		10-450-11-.65
8	1	11-5011S010	HYDRAULIC CYLINDER			X	10-450-11-1
9	1	11-5028N000	GASKET	X	X	X	
10	2	P11227-029	BACK UP	X			
10	2	P11227-222	BACK UP		X		
10	2	P11227-217	BACK UP			X	
11	1	P11006-223	O-RING	X			
11	1	P11006-222	O-RING		X		
11	1	P11006-217	O-RING			X	
12	1	11-5051P000	PISTON BUMBER	X	X	X	10-450-51
13	1	12-25F37SBC45Z	BUTTON HD. CAP SCREW	X	X	X	
14	1	12-25N87WF1Z	FENDER WASHER	X	X	X	
15	1	P10212-025	WASHER-LOCK	X	X	X	12-5001C407
16	1	11-5010S005	PISTON, HYDRAULIC	X			10-450-10-.5
16	1	11-5010S007	PISTON, HYDRAULIC		X		10-450-10-.65
16	1	11-5010S010	PISTON, HYDRAULIC			X	10-450-10-1
17	1	P11006-112	O-RING	X	X	X	
18	1	11-5034S002	BALL GUIDE	X	X	X	
19	1	11-5013S000	SPRING	X	X	X	10-450-13
20	1	P10202-068	RETAINING RING	X	X	X	
21	1	11-5017S000	SPRING GUIDE	X	X	X	
22	1	11-5020S000	FITTING - OUTLET	X	X	X	10-450-20
23	1	12-0440S562	BALL-CHECK	X	X	X	

WHERE USED: 10-50E0S005-S010, 10-50E0S005L-S010L