

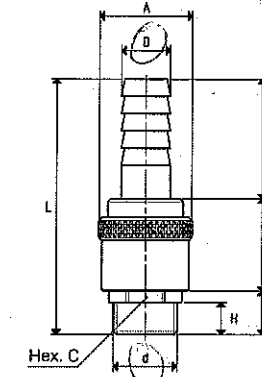
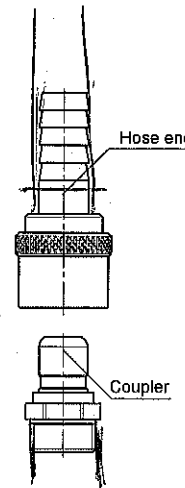
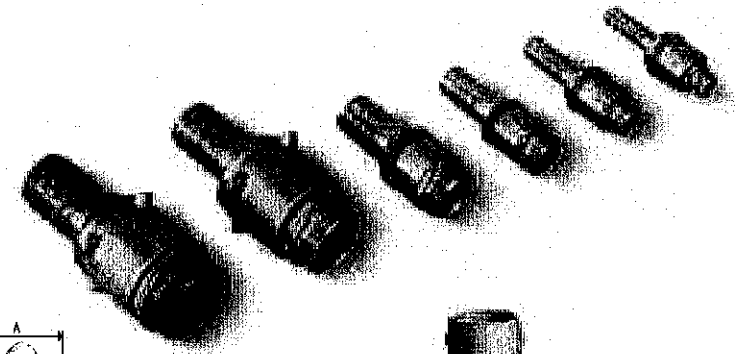
ROTATING QUICK COUPLING FITTINGS

Quick coupling fittings are composed of a jack with hose end connector and a threaded male coupler which connects itself to the jack.

They are fixed by a ball ring pushed by a spring. A nitrile rubber seal guarantees a perfect vacuum seal.

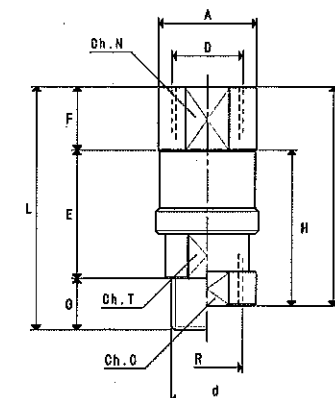
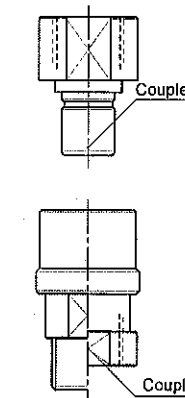
This type of fitting allows the two components to rotate freely at a low speed and to rapidly couple and disconnect by manually acting on the jack reeded ring nut.

These fittings are fully made with brass and are available in various sizes.



RRR 3/8" 2/100

Art.	(d)	A	C	(D)	E	F	G	H	L	Material	Hose end art.	Hose end weight g	Coupling art.	Coupling weight g
	Ø	Ø		Ø										
RRR 3/8"	G3/8"	30	21	13	29.5	39.5	14	10.5	83.0	brass	00 RR 3/8 02	100	00 RR 3/8 01	38
RRR 1/2"	G1/2"	30	21	16	30.5	38.5	14	10.5	83.0	brass	00 RR 1/2 02	104	00 RR 1/2 01	34
RRR 3/4"	G3/4"	30	26	20	29.0	38.5	15	10.5	82.5	brass	00 RR 3/4 02	118	00 RR 3/4 01	50
RRR 1"	G1"	38	34	25	30.0	40.0	17	12.0	87.0	brass	00 RR 1 02	166	00 RR 1 01	92
RRR 1" 1/4	G1" 1/4	68	42	35	49.5	49.5	24	13.5	123.0	brass	00 RR 1 1/4 02	568	00 RR 1 1/4 01	210
RRR 1" 1/2	G1" 1/2	68	48	40	49.0	54.0	25	17.0	128.0	brass	00 RR 1 1/2 02	710	00 RR 1 1/2 01	250



3D drawings available at www.vuototecnica.net

Art.	A	C	D	d	E	F	G	H	L	M	N	R	T	Material	Fitting art.	Fitting weight g	Coupling art.	Coupling weight g
	Ø		Ø	Ø									Ø					
RRF 3/8"	23.5	--	G3/8"	G3/8"	36.5	20.0	15	--	71.5	--	22	--	22	brass	00 RRF 3/8 02	77	00 RRF 3/8 01	58
RRF 1/2"	29.0	--	G1/2"	G1/2"	37.5	18.5	15	--	71.0	--	26	--	22	brass	00 RRF 1/2 02	79	00 RRF 1/2 01	72
RRF 3/4"	37.0	--	G3/4"	G3/4"	41.0	20.0	15	--	76.0	--	34	--	28	brass	00 RRF 3/4 02	149	00 RRF 3/4 01	132
RRF 1"	48.0	--	G1"	G1"	56.5	19.5	16	--	92.0	--	43	--	43	brass	00 RRF 1 02	369	00 RRF 1 01	355
RRFF 3/8"	23.5	22	G3/8"	--	--	20.0	--	45	--	65	22	G3/8"	--	brass	00 RRFF 3/8 02	82	00 RRF 3/8 01	58
RRFF 1/2"	29.0	26	G1/2"	--	--	18.5	--	46	--	64.5	26	G1/2"	--	brass	00 RRFF 1/2 02	80	00 RRF 1/2 01	72
RRFF 3/4"	37.0	34	G3/4"	--	--	20.0	--	57	--	77	34	G3/4"	--	brass	00 RRFF 3/4 02	199	00 RRF 3/4 01	132
RRFF 1"	48.0	43	G1"	--	--	19.5	--	67	--	86.5	43	G1"	--	brass	00 RRFF 1 02	409	00 RRF 1 01	355