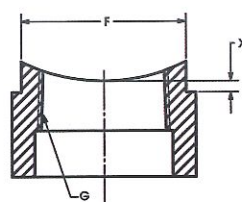
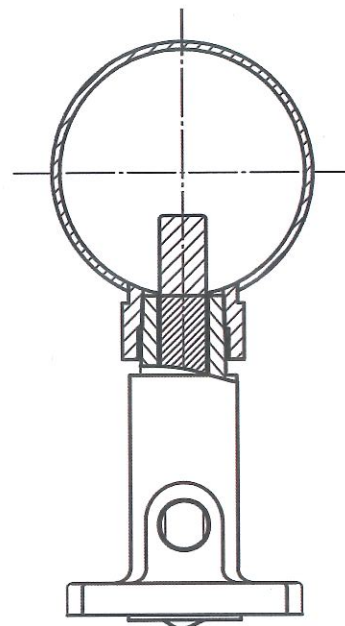


# HALF COUPLINGS AND SPECIAL TEES

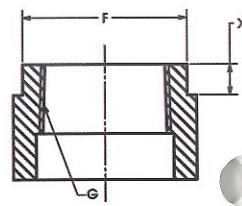
## HALF COUPLINGS

### Contoured and Non-Contoured Couplings

Strahman Couplings slide into a hole drilled in a pipeline and a socket weld is used to attach it to the pipe. Contoured couplings (shown right) are normally used for smaller pipe sizes up to 6". Contouring of the coupling allows it to match the inside of the pipe and not obstruct the flow. The contour should be installed in line with the pipe. Non-contoured couplings can be supplied for pipe sizes 8" and above, but normally the non-contoured couplings (shown below) are used because there is little obstruction of flow.



CONTOURED THRU 6" PIPE



NON-CONTOURED ABOVE 6" PIPE

**HALF COUPLING INSTALLATION INSTRUCTIONS**

The Sampling Valve inlet connection should be flush with the contour of the half coupling, AFTER WELDING INTO PIPE OR VESSEL, to assure proper satisfactory operation of Sampling Valve. To ensure proper installation and sealing of threaded connection, retapping of the half coupling may be necessary to correct distortion caused by welding.

**SPECIAL NOTE - ALL HALF COUPLINGS**

Dimension X - Pipe size and schedule number or tank wall thickness. Please specify when ordering. Couplings for wall thickness greater than those shown above available and priced on request.

Valve	F	G NPT	Maximum Wall Thickness
SV-500	1 1/32"	3/8"	1/2" Cont. 11/16" Non-Cont.
SV-600	1 1/32"	1/2"	1/2" Cont. 11/16" Non-Cont.
SV-700	1 1/32"	3/4"	1/2" Cont. 11/16" Non-Cont.
SV-800	1 3/4"	1"	11/16"
SV-900	2 3/32"	1 1/4"	13/16"
SV-1000	2 5/16"	1 1/2"	7/8"

Socket weld and BSP Threaded half couplings are also available.

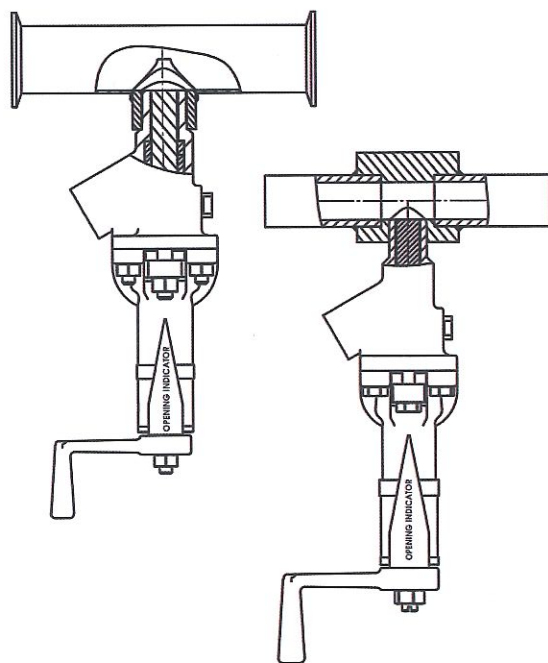
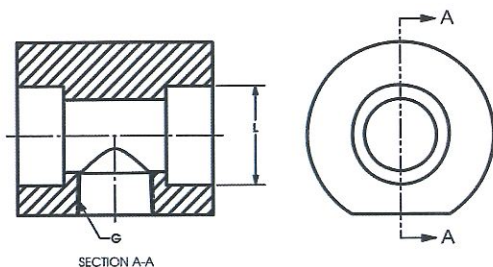
## SPECIAL TEES

### Quick Disconnect Tee with Sampling Valve

**Special Tee for pipe or tubing below L DIM where required, give actual pipe size and schedule.**

SV-500, SV-600 and SV-700 special tee required for pipe size under 2".

SV-800, SV-900 and SV-1000 special tee required for pipe size under 3".



PED Compliant