

Series 2

MODEL	Capacity cc / rev	PEAK PRESSURE		MAX WORKING PRESSURE		Max. speed RPM	NOMINAL FLOW		Input power (kW) at 1000 RPM and 100 bar	Input torque at 100 bar and N.m	Approx. weight Kg
		bar	PSI	bar	PSI		at 1500 RPM	at Max. speed			
							l / min	l / min			
2004	4,65	280	4060	240	3480	3500	6,97	16,2	0,91	8,70	1,6
2006	6,45	280	4060	240	3480	3500	9,67	22,5	1,26	12,07	1,6
2008	8,25	280	4060	240	3480	3500	12,37	28,8	1,62	15,43	1,7
2010	10,12	280	4060	240	3480	3500	15,18	35,3	1,98	18,93	1,7
2012	12	280	4060	240	3480	3500	18	42	2,35	22,45	1,7
2014	13,8	250	3625	210	3045	3500	20,7	48,3	2,71	25,81	2
2015	15,52	250	3625	210	3045	3500	23,25	52,5	3,04	29,03	2,1
2017	17,3	220	3190	190	2755	3500	25,95	60,55	3,39	32,36	2,1
2018	19,12	200	2900	170	2465	3500	28,65	66,8	3,75	35,77	2,2
2022	22,87	175	2537	150	2175	3500	34,2	79,8	4,30	42,78	2,3
2026	27,6	175	2537	150	2175	3000	41,4	82,8	5,16	51,63	2,7
2030	31,2	175	2537	150	2175	3000	46,8	93,6	5,77	58,36	2,8

Series 2,5

2512	12	300	4350	255	3697	3500	18	42	2,35	22,45	2,3
2515	15,52	300	4350	240	3480	3500	23,25	52,5	3,04	29,03	2,6
2517	17,3	300	4350	220	3190	3500	25,95	60,55	3,39	32,36	2,7
2518	19,12	300	4350	215	3117	3500	28,65	66,8	3,75	35,77	2,7
2522	22,87	300	4350	190	2755	3500	34,2	79,8	4,48	42,78	2,8

Dimensions readings and approximative characteristics subject to modifications.

The pump can only run in one way rotation (Precise the direction of rotation on order).
The working cycles hereunder are possible with hydraulic mineral oil for viscosities between 12 and 150 cSt (65,2 and 700 SUS).
The minimum viscosity of 12 cSt (65,2 SUS) is available for a maximum temperature in the hydraulic circuit .
Working temperature: - 20 °C (4 °F) to + 80 °C (176 °F) (140 °C (284 °F) with Viton shaft seal).
Full flow filtration: 10 to 15 microns at the pressure port of the pump or on the return circuit.
Filtration on the suction side: 125 microns.
Pressure at the inlet of the pump:
- Minimum 0,7 bar absolute (Maxi depressure 300 millibar with regard to the air pressure).
- Maximum 2 bar absolute or 1 bar over the air pressure.

The hereabove characteristics concern the pumps driven by elastic couplings perfectly aligned without any external radial or axial force.

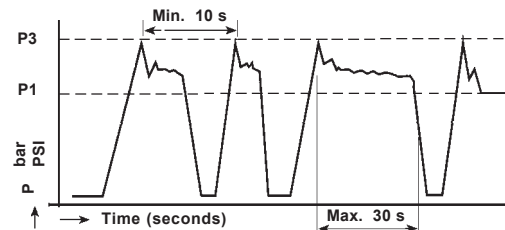
For any other coupling, see technical data sheet F.T R 0009.

For use at maximum working conditions and/or intensive cycles, thanks to consult our technical sales service for validation.

P1 Maximum pressure in continuous duty.

Maximum Pressure ⇒

P3 Allowable peak pressure.



F.T 20 1299 1/11



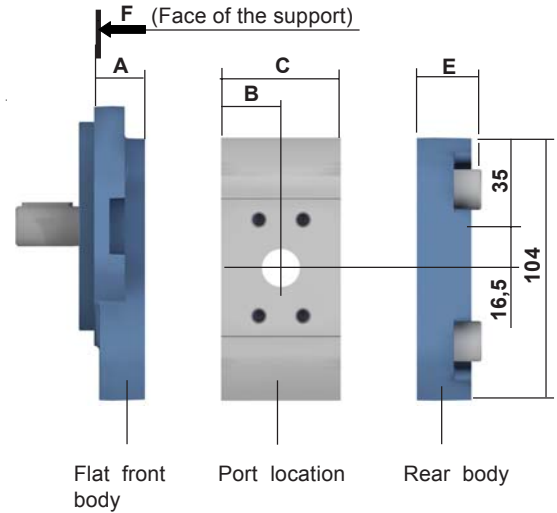
Consult us for availability

FLAT FRONT BODY

Flat front bodies:	A
AAN / AAK - APK	20
BAN - CAN - DBN / DBK	
AFN	21
CEN / CEK	22
DCN / DCK - DUK - DWN	18
DZK	

Port location (capacity):	B	C
2004 - 2006 - 2008 - 2010 - 2012	23,5	47
2014 - 2015 - 2017 - 2018 - 2022 2522	31	61,6
2026 - 2030 2515 - 2518 - 2522	38,8	77,7

Rear bodies:	E
L	25,5
A	24,5
X - T	25,5
V - W - D	24
Q	38
R	40



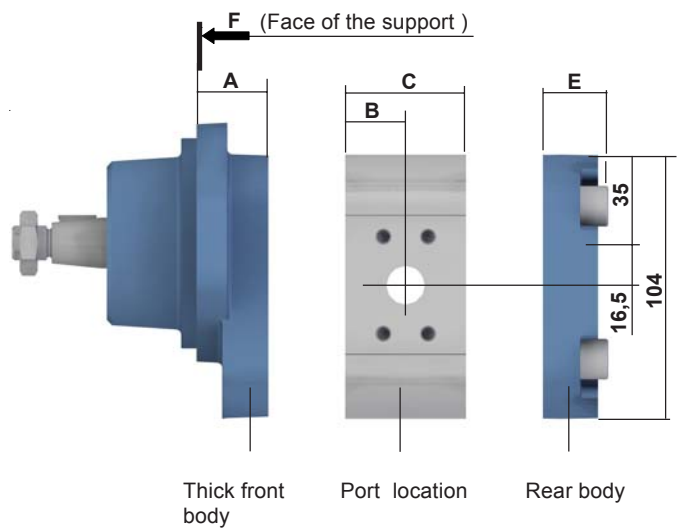
Dimensions readings and approximative characteristics subject to modifications.

THICK FRONT BODY

Thick front bodies:	A
AAP / AAR	28
ARP / ARK	25
DBP / DBR	51

Port location (capacity):	B	C
2004 - 2006 - 2008 - 2010 - 2012	23,5	47
2014 - 2015 - 2017 - 2018 - 2022 2522	31	61,6
2026 - 2030 2515 - 2518 - 2522	38,8	77,7

Rear bodies:	E
L	25,5
A	24,5
X - T	25,5
V - W - D	24
Q	38
R	40



F.T 20 1299 2/11



Consult us for availability

P II Sign III Sign IV Sign **2** VI Sign VII Sign VIII Sign IX Sign X Sign XI Sign XII Sign

P II Sign III Sign IV Sign **2 5** VI Sign VII Sign VIII Sign IX Sign X Sign XI Sign XII Sign

For CODIFICATION, see data sheet **F.T R 0011**

DIRECTION of ROTATION (II Sign)	FLAT FRONT BODIES (III and IV Sign)	CAPACITY (V and VI Sign)	PORT LOCATION (VII Sign)						REAR BODIES (VIII Sign)							DRIVING SHAFTS (IX, X and XI Sign)						
			H	C	B	F	U	X	Y	L	A	X	T	V	W	Q	AR	J*	TAPERED	STRAIGH KEYED	SPLINED	TANG
P 1 P 2																		10	20	30	40	
X	X																					
X	X																					
X	X	2004 2006 2008 2010 2012 2014 2015																				
X	X	2017 2018 2022 2026 2030																				
X	X	2512 2515 2517 2518 2522																				
X	X																					
X	X																					

Dimensions readings and approximative characteristics subject to modifications.

F.T 20 1299 3/11

LEGENDES

DIRECTION of ROTATION

- P1 = Clockwise
- P2 = Anti clockwise

FRONT BODIES

- AA* = Fixing SAE and ISO
- BA* = Fixing English and Italian
- CB* = Fixing French
- DC* = Fixing German

PORT LOCATION

- H = HPI
- C = Square location
- B = Italian location
- F = Threaded ports
- U = SAE threaded location (Norm J 475)
- X = without ports
- Y = ISO location (Norm 6162)

REAR BODIES








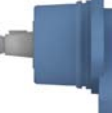

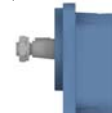

- L = Standard
- A = External flow control
- X = High pressure relief valve - internal pressure
- T = High pressure relief valve - external pressure
- V = Low pressure relief valve - internal pressure
- W = Low pressure relief valve - external pressure
- Q = Flow control internal return
- AR = with block configuration MBPS
- J* = Pre-arrangement for assembling "Module 3" see F.T 20 1353 page 397 / 00



Consult us for availability

P II Sign III Sign IV Sign **2** VI Sign VII Sign VIII Sign IX Sign X Sign XI Sign XII Sign

P II Sign III Sign IV Sign **2 5** VI Sign VII Sign VIII Sign IX Sign X Sign XI Sign XII Sign

DIRECTION of ROTATION (II Sign) P1 P2	FRONT BODIES FLAT and THICK (III and IV Sign)	CAPACITY (V and VI Sign)	PORT LOCATION (VII Sign)							REAR BODIES (VIII Sign)							DRIVING SHAFTS (IX, X and XI Sign)					
			H	C	B	F	U	X	Y	L	A	X	T	V	W	Q	AR	J*	TAPERED 10	STRAIGH KEYED 20	SPLINED 30	TANG 40
FLAT FRONT BODIES																						
X	X	DUK 																				
X	X	DZK 	2004																			 40D02
			2006																			
			2008																			
			2010																			
			2012																			
			2014																			
			2015																			
			2017																			
			2022																			
			2026																			
			2030																			
THICK FRONT BODIES																						
X	X	AAP / AAR 																			 10 C03	 20 C03
X	X	ARP / ARK 																			 10 C05	
X	X	DBP / DBR 																			 10 C07	 20 C15

LEGENDES

DIRECTION of ROTATION

P1 = Clockwise
P2 = Anti clockwise

FRONT BODIES


AA* = Fixing SAE and ISO
BA* = Fixing English and Italian
CB* = Fixing French
DC* = Fixing German

PORT LOCATION

H = HPI
C = Square location
B = Italian location
F = Threaded ports
U = SAE threaded location (Norm J 475)
X = without ports
Y = ISO location (Norm 6162)

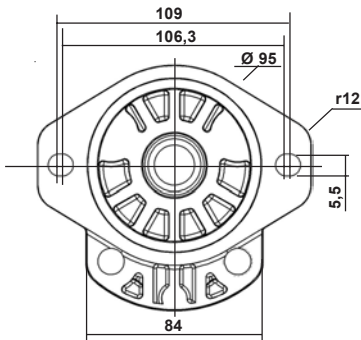
REAR BODIES

L = Standard
A = External flow control
X = High pressure relief valve - internal pressure
■ = High pressure relief valve - external pressure
■ = Low pressure relief valve - internal pressure
■ = Low pressure relief valve - external pressure
Q = Flow control
AR = with block configuration MBPS
J* = Pre-arrangement for assembling "Module 3" see F.T 20 1353 Page 397 /00

 Consult us for availability

FLAT FRONT BODIES

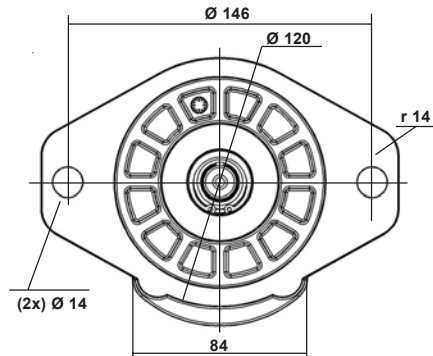
AAN / AAK



Centering: $\varnothing 82,55 \begin{smallmatrix} 0 \\ -0,05 \end{smallmatrix}$
Thickness: 6

AAN : Series 2 F.T 20 1300
Series 2,5 F.T 25 1307
AAK : Series 2 F.T 20 1329
Series 2,5 F.T 25 1334

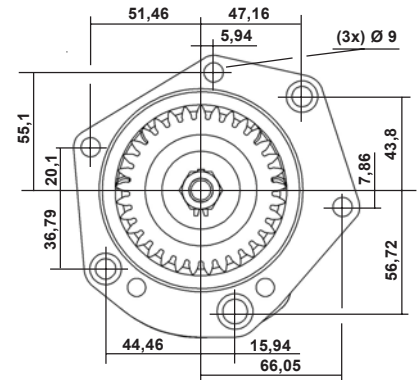
AFN



Centering: $\varnothing 101,6 \begin{smallmatrix} 0 \\ -0,05 \end{smallmatrix}$
Thickness: 6,35

AFN : Series 2 F.T 20 1366
Series 2,5 F.T 25 1367

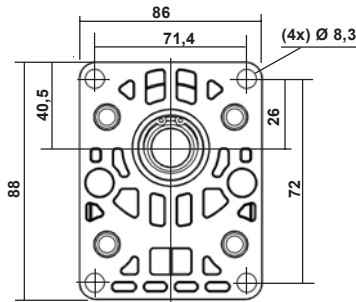
APK



Centering: $\varnothing 95 \begin{smallmatrix} -0,036 \\ -0,071 \end{smallmatrix}$
Thickness: 10

APK : Series 2 F.T 20 1368
Series 2,5 F.T 25 1369

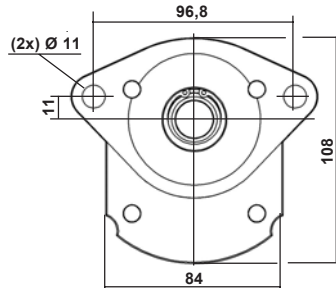
BAN



Centering: $\varnothing 36,47 \begin{smallmatrix} 0 \\ -0,05 \end{smallmatrix}$
Thickness: 4

BAN : Series 2 F.T 20 1301
Series 2,5 F.T 25 1308

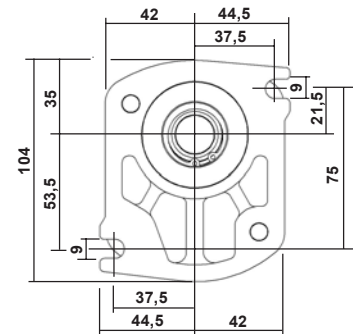
CAN



Centering: $\varnothing 63,5 \begin{smallmatrix} -0,030 \\ -0,076 \end{smallmatrix}$
Thickness: 3,2

CAN : Series 2 F.T 20 1302
Series 2,5 F.T 25 1309

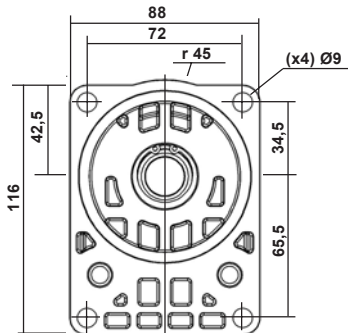
CEN / CEK



Centering: $\varnothing 50 \begin{smallmatrix} -0,025 \\ -0,050 \end{smallmatrix}$
Thickness: 4

CEN : Series 2 F.T 20 1303
Series 2,5 F.T 25 1310
CEK : Series 2 F.T 20 1360
Series 2,5 F.T 25 1361

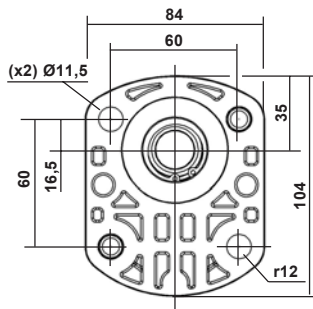
DBN / DBK



Centering: $\varnothing 80 \begin{smallmatrix} -0,030 \\ -0,060 \end{smallmatrix}$
Thickness: 8

DBN : Series 2 F.T 20 1304
Series 2,5 F.T 25 1311
DBK : Series 2 F.T 20 1330
Series 2,5 F.T 25 1335

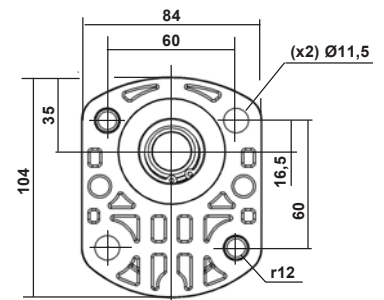
DCN / DCK



Centering: $\varnothing 50 \begin{smallmatrix} -0,025 \\ -0,050 \end{smallmatrix}$
Thickness: 6

DCN : Series 2 F.T 20 1305
Series 2,5 F.T 25 1312
DCK : Series 2 F.T 20 1331
Series 2,5 F.T 25 1336

DWN



Centering: $\varnothing 50 \begin{smallmatrix} -0,025 \\ -0,050 \end{smallmatrix}$
Thickness: 6

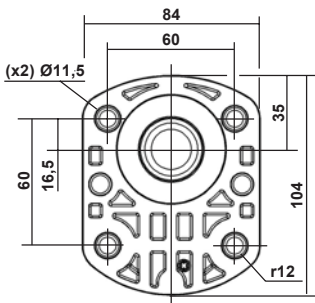
DWN : Series 2 F.T 20 1332
Series 2,5 F.T 25 1337

Dimensions readings and approximative characteristics subject to modifications.

F.T 20 1299 5/11

FLAT FRONT BODIES

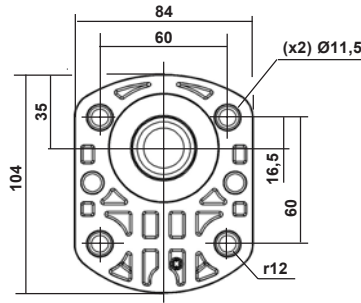
DUK



Centering: $\varnothing 52 \begin{matrix} -0,030 \\ -0,060 \end{matrix}$
Thickness: 6

DUK : Series 2 F.T 20 1333
Series 2,5 F.T 25 1338

DZK

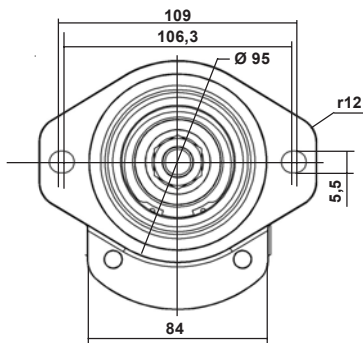


Centering: $\varnothing 52 \begin{matrix} -0,030 \\ -0,060 \end{matrix}$
Thickness: 6

DZK : Series 2 F.T 20 1362
Series 2,5 F.T 25 1363

THICK FRONT BODIES

AAP / AAR

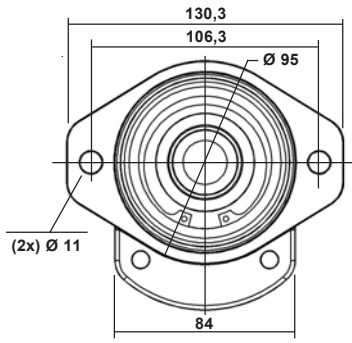


Centering: $\varnothing 82,55 \begin{matrix} 0 \\ -0,05 \end{matrix}$
Thickness: 6

AAP : Series 2 F.T 20 1339
Series 2,5 F.T 25 1340

AAR : Series 2 F.T 20 1341
Series 2,5 F.T 25 1342

ARP / ARK

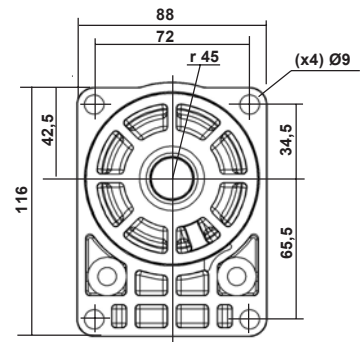


Centering: $\varnothing 85 \begin{matrix} -0,036 \\ -0,071 \end{matrix}$
Thickness: 14

ARP : Series 2 F.T 20 1343
Series 2,5 F.T 25 1344

ARK : Series 2 F.T 20 1345
Series 2,5 F.T 25 1346

DBP / DBR



Centering: $\varnothing 80 \begin{matrix} -0,03 \\ -0,06 \end{matrix}$
Thickness: 8

DBP : Series 2 F.T 20 1347
Series 2,5 F.T 25 1348

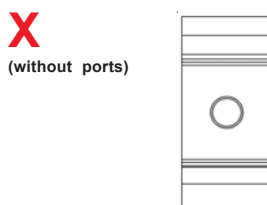
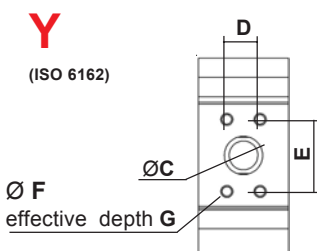
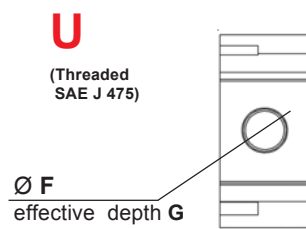
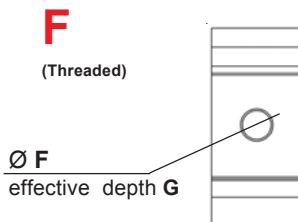
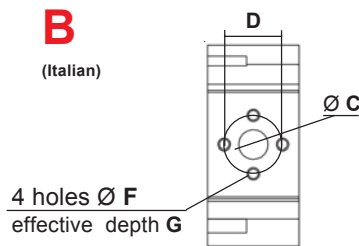
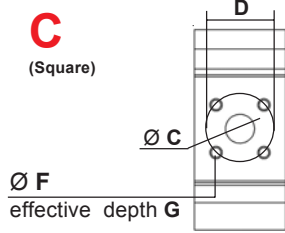
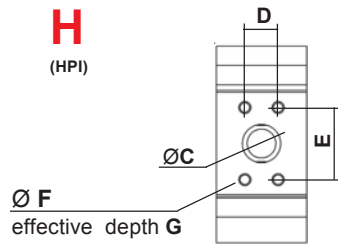
DBR : Series 2 F.T 20 1349
Series 2,5 F.T 25 1350

Dimensions readings and approximative characteristics subject to modifications.

F.T 20 1299 6/11

Consult us for availability

CHOICE of the IMPLANTATIONS of PORTS and RECOMMENDED FLANGES



Capacity	INLET (T)					OUTLET (P)					CATALOGUE N° 70 Ref. of RECOMMENDED FLANGES (for speed 1500 rev / min)	
	ØC	D	E	ØF	G	ØC	D	E	ØF	G	INLET (T)	OUTLET (P)
2004 to 2012	20	17,4	38	M6	12	15	17,4	38	M6	15	1 / 2 " BSP N: 2.500055 V: 2.504026	3 / 8 " BSP N: 2.500054 V: 2.505994
2014 to 2030 2512 to 2522	26	47,6	22,4	M6	12	15	17,4	38	M6	12	1 " BSP N: 2.500496 V: 2.504117	1 / 2 " BSP N: 2.500055 V: 2.504026
2004 to 2012	20	40		M6	12	15	35		M6	12	1 / 2 " BSP N: 367141.502	3 / 8 " BSP N: 367141.702
2014 to 2030 2512 to 2522											3 / 4 " BSP N: 367141.503	1 / 2 " BSP N: 367141.703
2004 to 2012	15	30		M6	13	15	30		M6	13	3 / 8 " BSP N: X.367508.201 1 / 2 " BSP N: X.367508.202	3 / 8 " BSP N: X.367508.201 1 / 2 " BSP N: X.367508.202
2014 to 2030 2512 to 2522	20	40		M6	13	15	30		M6	13	1 / 2 " BSP N: X.367508.101	3 / 8 " BSP N: X.367508.201
											3 / 4 " BSP N: X.367508.102	1 / 2 " BSP N: X.367508.202
2004 to 2012				3/4" BSP	16				3/8" BSP	12		
2014 to 2030 2512 to 2522				1" BSP	18				1/2" BSP	14		
2004 to 2012				1"1/16 12 UNF 2B	20				7/8" 14 UNF 2B	17		
2014 to 2022 2512				1"5/16 12 UNF 2B	20				7/8" 14 UNF 2B	17		
2026-2030 2515 to 2522				1"5/16 12 UNF 2B	20				1"1/16 12 UNF 2B	20		
2004 to 2012	20	17,4	38	M8	14	15	17,4	38	M8	14		
2014 to 2022 2512	26	47,6	22,4	M10	14	15	17,4	38	M8	14		
2026-2030 2515 to 2522	26	52,4	26,2	M10	14	15	17,4	38	M8	14		
2004 to 2012 2512 to 2522	Only with rear body Type A											

Dimensions readings and approximative characteristics subject to modifications.

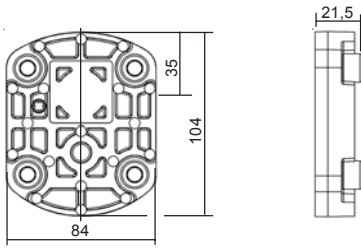
F.T 20 1299 7/11


Consult us for availability

REAR BODIES

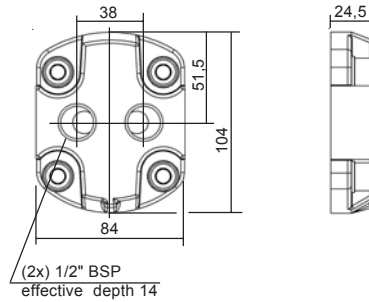
L

Standard



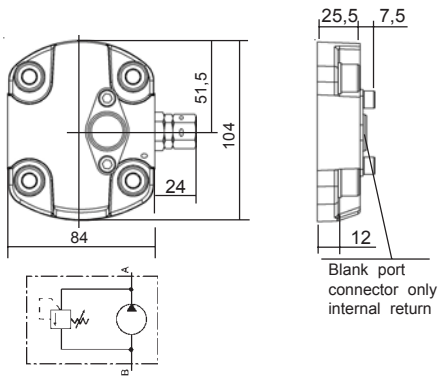
A

with ports



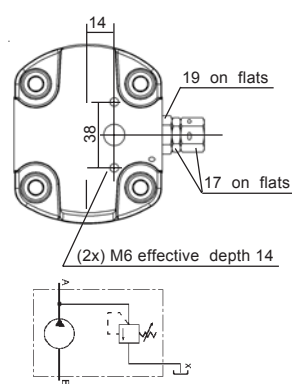
X

High pressure relief valve (Adjustable) Internal return



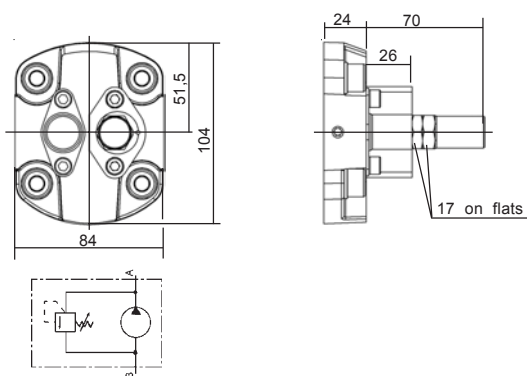
T

High pressure relief valve (Adjustable) External return



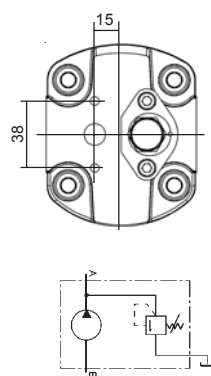
V

Low Pressure relief valve (Adjustable) Internal return



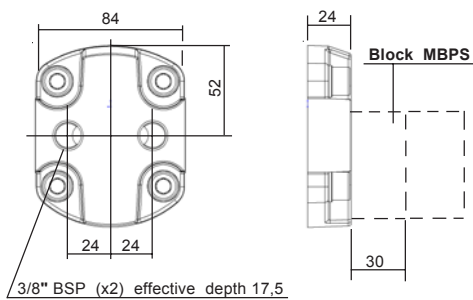
W

Low Pressure relief valve (Adjustable) External return



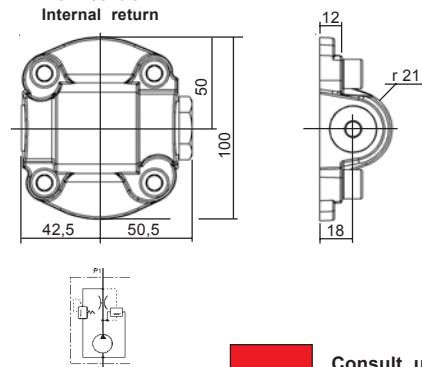
AR

with block configuration MBPS



Q

Flow control Internal return



Dimensions readings and approximative characteristics subject to modifications.

F.T 20 1299 8/11

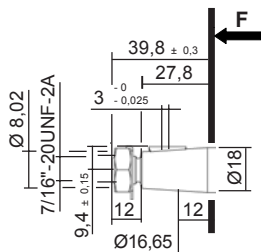
Consult us for availability

DRIVING SHAFT (FLAT FRONT BODY)

Tapered

10

B02 Cône 1 / 8

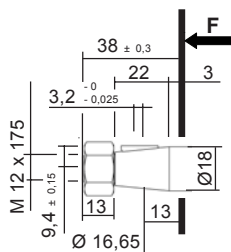


Delivered with nut: K100841

Maxi transmissible torque

250 N.m

C02 Cône 1 / 5



Delivered with nut: K106317

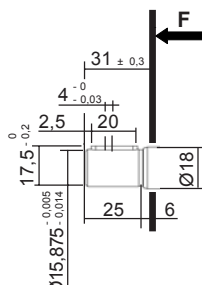
Maxi transmissible torque

220 N.m

Straight keyed

20

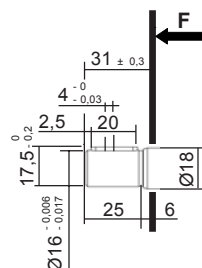
A01



Maxi transmissible torque

50 N.m

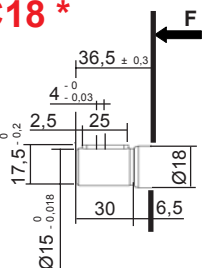
C02



Maxi transmissible torque

50 N.m

C18 *

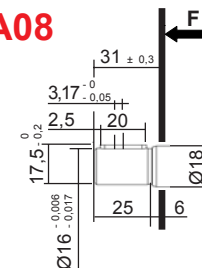


Maxi transmissible torque

40 N.m

*** ONLY 2006 to 2012**

A08



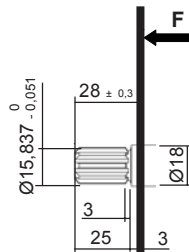
Maxi transmissible torque

50 N.m

Splined

30

A01

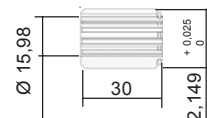


Involute spline SAE Standard
9 teeth - Pitch 16/32 - Flat root
30° Pressure angle

Maxi transmissible torque

100 N.m

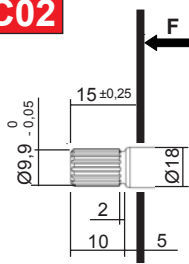
Sleeve coupling 9 teeth / 13 teeth
Ref.: K.5041310
Mounting with splined shaft 30 A01



Involute spline SAE standard
9 teeth - SAE "A"
Pitch 16/32
30° Pressure angle

Involute spline SAE Standard
13 teeth - SAE "B"
Pitch 16/32
30° Pressure angle

C02

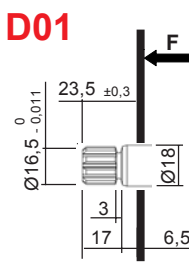


Involute spline shaft 17x15x1
Standard NF E 22 141 - BNA 455
Spigot on free flanks

Maxi transmissible torque

100 N.m

D01



Involute spline shaft B 17 x 14
9 teeth - Standard DIN 5482 - Module 1,6
Spigot on free flanks

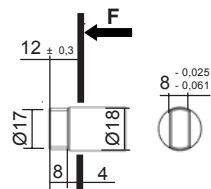
Maxi transmissible torque

100 N.m

Tang

40

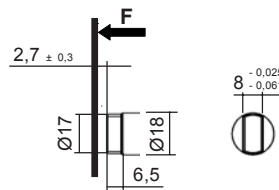
C03



Maxi transmissible torque

70 N.m

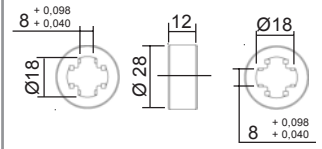
D02



Max tightening torque

70 N.m

Coupling on request:
Ref. K102947



Dimensions readings and approximative characteristics subject to modifications.

F.T 20 1299 9/11

Consult us for availability

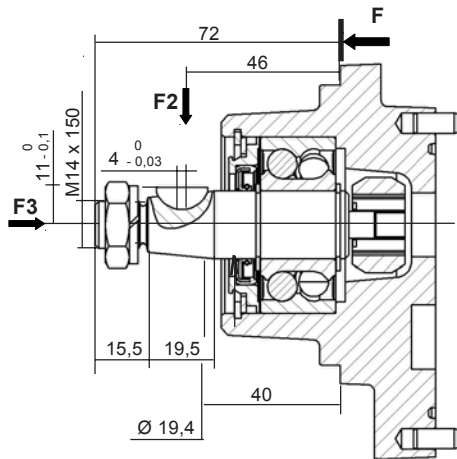
DRIVING SHAFT (THICK FRONT BODY)

Tapered

10

AAP / AAR

C03 Taper 1 / 5



F2 Maxi: 120 daN
F3 Maxi: 50 daN

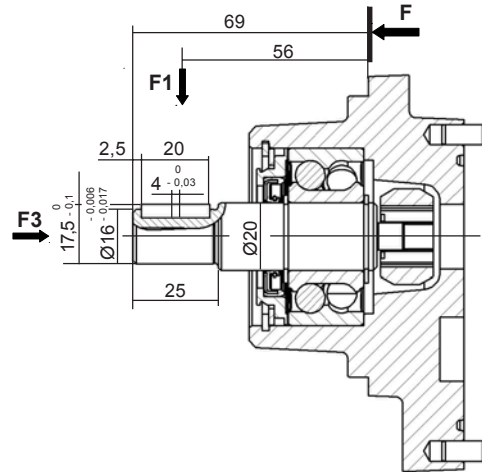
Maxi transmissible torque
50 N.m

Straight keyed

20

AAP / AAR

C03

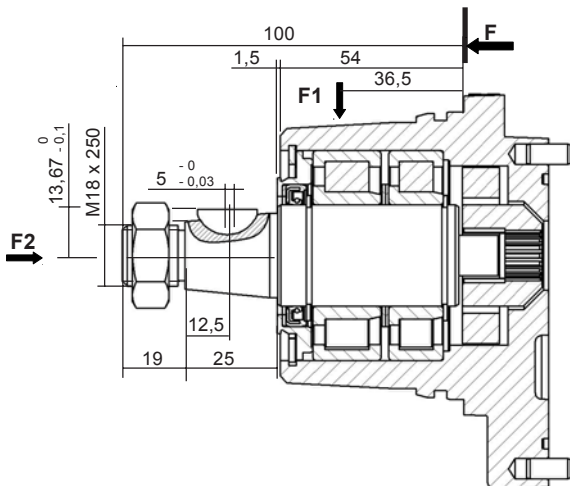


F1 Maxi: 120 daN
F3 Maxi: 50 daN

Maxi transmissible torque
50 N.m

ARP / ARK

C05 Taper 1 / 5



Delivered with nut: K106295

F1 Maxi: 350 daN
F2 Maxi: 50 daN

Maxi transmissible torque
70 N.m

Dimensions readings and approximative characteristics subject to modifications.

F.T 20 1299 10/11

Consult us for availability

DRIVING SHAFT (THICK FRONT BODY)

Tapered

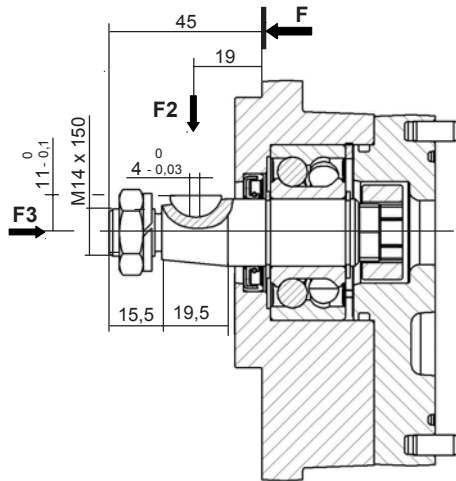
10

Straight keyed

20

DBP / DBR

C07 Taper 1 / 5



Delivered with Nut: K102045

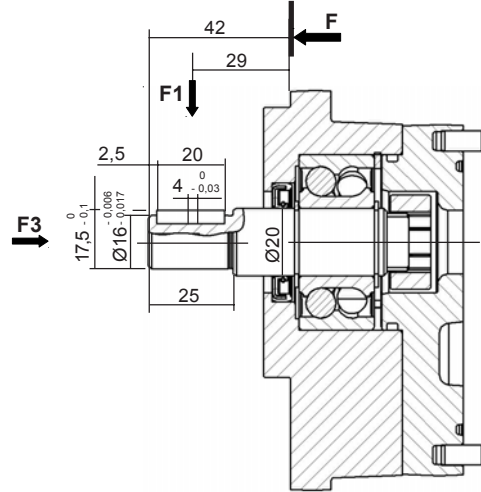
F2 Maxi: 120 daN

F3 Maxi: 50 daN

Maxi transmissible torque
50 N.m

DBP / DBR

C15



F1 Maxi: 100 daN

F3 Maxi: 50 daN

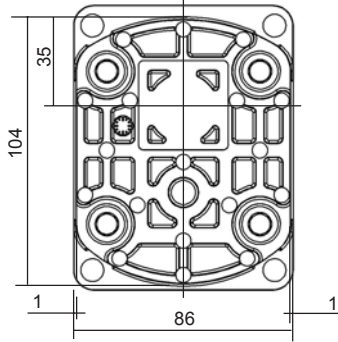
Maxi transmissible torque
50 N.m

Dimensions readings and approximative characteristics subject to modifications.

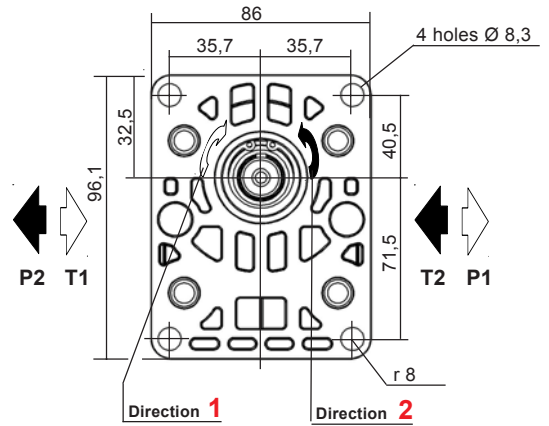
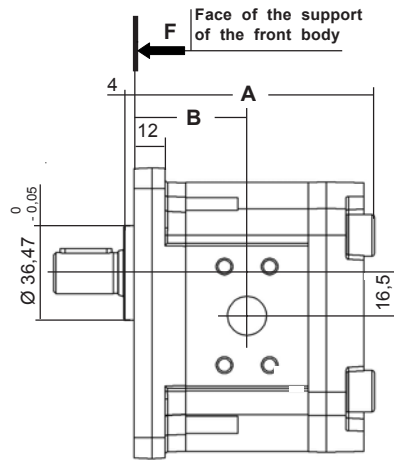
F.T 20 1299 11/11



Consult us for availability



For CODIFICATION, see data sheet **F.T R 0011**



Dimensions readings and approximative characteristics subject to modifications.

CHOICE of the Capacity	Dimensions	
	A	B
004 - 006 - 008 010 - 012	92,5	43,5
014 - 015 - 017 018 - 022	107	51
026 - 030	123	59

Multiples geared pumps, see data sheet **F.T 20 1306**

Seal kits:
Nitrile: **K5069810**
Viton: **K5069820**
(For the manufacturings from January 1984)

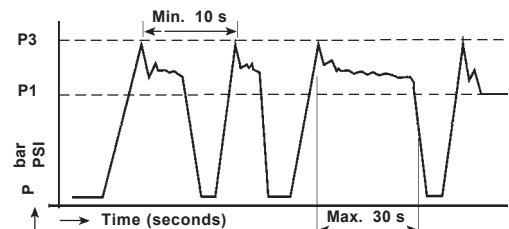
MODEL	Capacity cc / rev	PEAK PRESSURE		MAX WORKING PRESSURE		Max. speed RPM	NOMINAL FLOW		Input power (kW) at 1000 RPM and 100 bar	Input torque at 100 bar and N.m	Approx. weight Kg
		bar	PSI	bar	PSI		at 1500 RPM	at Max. speed			
							l / min	l / min			
2004	4,65	280	4060	240	3480	3500	6,97	16,2	0,91	8,70	1,6
2006	6,45	280	4060	240	3480	3500	9,67	22,5	1,26	12,07	1,6
2008	8,25	280	4060	240	3480	3500	12,37	28,8	1,62	15,43	1,7
2010	10,12	280	4060	240	3480	3500	15,18	35,3	1,98	18,93	1,7
2012	12	280	4060	240	3480	3500	18	42	2,35	22,45	1,7
2014	13,8	250	3625	210	3045	3500	20,7	48,3	2,71	25,81	2
2015	15,52	250	3625	210	3045	3500	23,25	52,5	3,04	29,03	2,1
2017	17,3	220	3190	190	2755	3500	25,95	60,55	3,39	32,36	2,1
2018	19,12	200	2900	170	2465	3500	28,65	66,8	3,75	35,77	2,2
2022	22,87	175	2537	150	2175	3500	34,2	79,8	4,30	42,78	2,3
2026	27,6	175	2537	150	2175	3000	41,4	82,8	5,16	51,63	2,7
2030	31,2	175	2537	150	2175	3000	46,8	93,6	5,77	58,36	2,8

F.T 20 1301 1/4

P1 Maximum pressure in continuous duty.

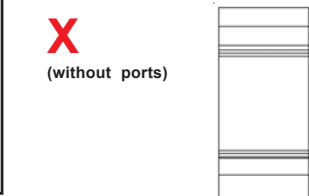
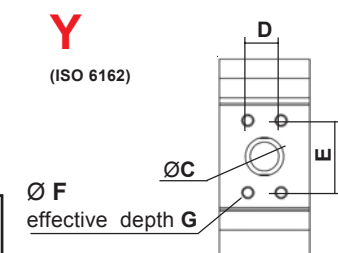
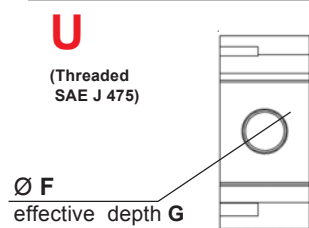
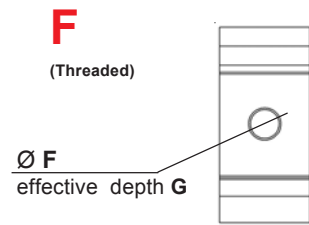
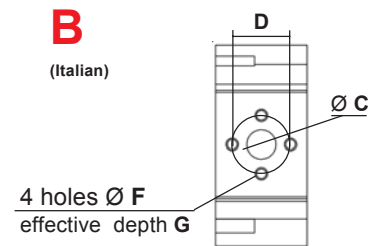
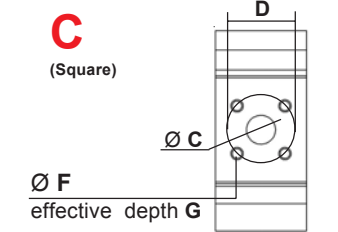
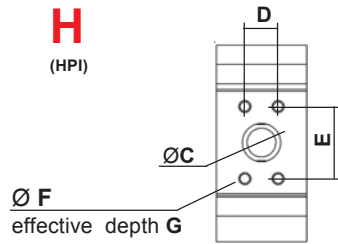
P3 Allowable peak pressure.

Maximum Pressure ⇒



Consult us for availability

CHOICE of the IMPLANTATIONS of PORTS and RECOMMENDED FLANGES



Capacity	INLET (T)					OUTLET (P)					CATALOGUE N° 70 Ref. of RECOMMENDED FLANGES (for speed 1500 rev / min)	
	ØC	D	E	ØF	G	ØC	D	E	ØF	G	INLET (T)	OUTLET (P)
2004 to 2012	20	17,4	38	M6	12	15	17,4	38	M6	15	1 / 2 " BSP N: 2.500055 V: 2.504126	3 / 8 " BSP N: 2.500054 V: 2.505994
2014 to 2030	26	47,6	22,4	M6	12	15	17,4	38	M6	12	1 " BSP N: 2.500496 V: 2.504117	1 / 2 " BSP N: 2.500055 V: 2.504026
2004 to 2012	20	40		M6	12	15	35		M6	12	1 / 2 " BSP N: 367141.502	3 / 8 " BSP N: 367141.702
2014 to 2030											3 / 4 " BSP N: 367141.503	1 / 2 " BSP N: 367141.703
2004 to 2012	15	30		M6	13	15	30		M6	13	3 / 8 " BSP N: X.367508.201 1 / 2 " BSP N: X.367508.202	3 / 8 " BSP N: X.367508.201 1 / 2 " BSP N: X.367508.202
2014 to 2030	20	40		M6	13	15	30		M6	13	1 / 2 " BSP N: X.367508.101 3 / 4 " BSP N: X.367508.102	3 / 8 " BSP N: X.367508.201 1 / 2 " BSP N: X.367508.202
2004 to 2012				3/4" BSP	16				3/8" BSP	12		
2014 to 2022				1" BSP	18				1/2" BSP	14		
2004 to 2012				1"1/16 12 UNF 2B	20				7/8" 14 UNF 2B	17		
2014 to 2022				1"5/16 12 UNF 2B	20				7/8" 14 UNF 2B	17		
2026-2030				1"5/16 12 UNF 2B	20				1"1/16 12 UNF 2B	20		
2004 to 2012	20	17,4	38	M8	14	15	17,4	38	M8	14		
2014 to 2022	26	47,6	22,4	M10	14	15	17,4	38	M8	14		
2026-2030	26	52,4	26,2	M10	14	15	17,4	38	M8	14		
2004 to 2030	Only with rear body Type A											

Dimensions readings and approximative characteristics subject to modifications.

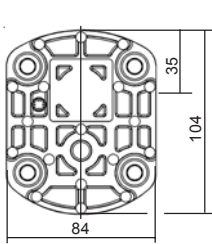
F.T 20 1301 2/4

Consult us for availability

REAR BODIES

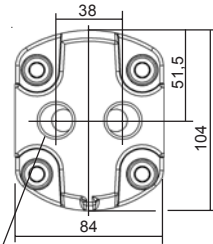
L

Standard



A

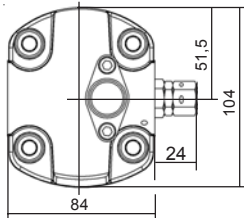
with ports



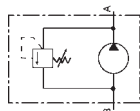
(2x) 1/2" BSP
effective depth 14

X

High pressure relief valve
(Adjustable) Internal return

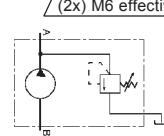
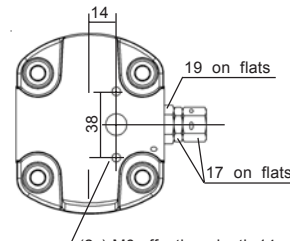


Blank port
connector only
internal return

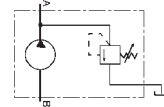


T

High pressure relief valve
(Adjustable) External return

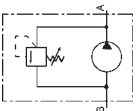
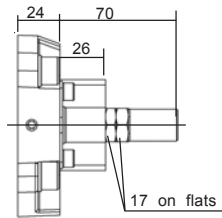
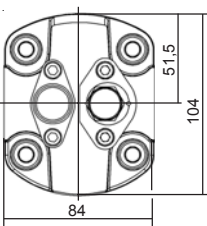


(2x) M6 effective depth 14



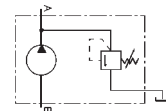
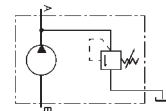
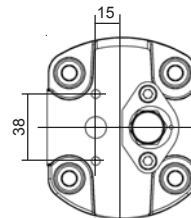
V

Low Pressure relief valve
(Adjustable) Internal return



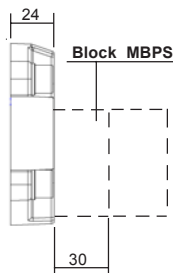
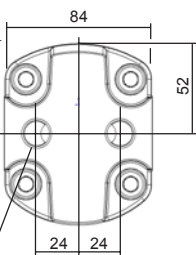
W

Low Pressure relief valve
(Adjustable) External return



AR

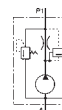
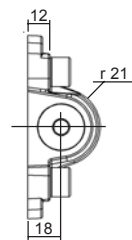
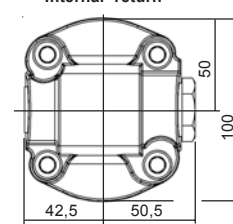
with block configuration MBPS



3/8" BSP (x2) effective depth 17,5

Q

Flow control
Internal return



Consult us for availability

Dimensions readings and approximative characteristics subject to modifications.

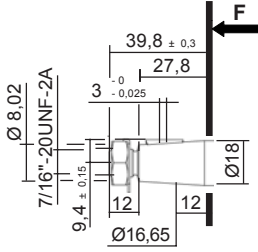
F.T 20 1301 3/4

DRIVING SHAFTS

Tapered

10

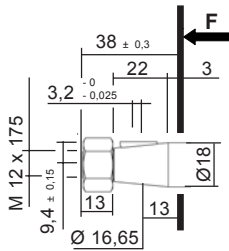
B02 Cône 1 / 8



Delivered with nut: K100841

Maxi transmissible torque
250 N.m

C02 Cône 1 / 5



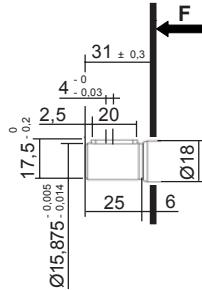
Delivered with nut: K106317

Maxi transmissible torque
220 N.m

Straight keyed

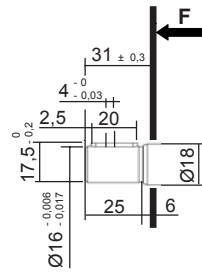
20

A01



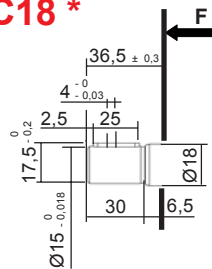
Maxi transmissible torque
50 N.m

C02



Maxi transmissible torque
50 N.m

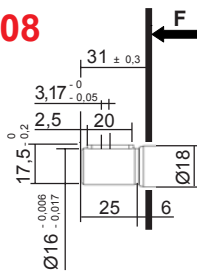
C18 *



Maxi transmissible torque
40 N.m

*** ONLY 2006 to 2012**

A08

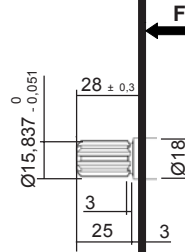


Maxi transmissible torque
50 N.m

Splined

30

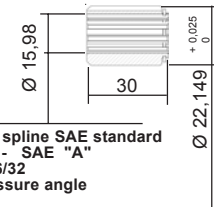
A01



Involute spline SAE Standard
9 teeth - Flat root
30° Pressure angle

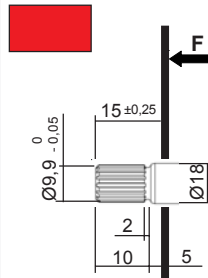
Maxi transmissible torque
100 N.m

Sleeve coupling 9 teeth / 13 teeth
Ref.: K.5041310
Mounting with splinned shaft **30 A01**



Involute spline SAE standard
9 teeth - SAE "A"
Pitch 16/32
30° Pressure angle

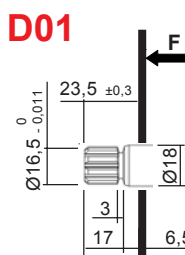
Involute spline SAE Standard
13 teeth - SAE "B"
Pitch 16/32
30° Pressure angle



Involute spline shaft 17x15x1
Standard NF E 22 141 - BNA 455
Spigot on free flanks

Maxi transmissible torque
100 N.m

D01



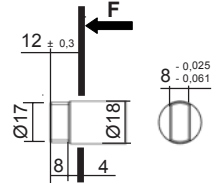
Involute spline shaft B 17 x 14
9 teeth - Standard DIN 5482 - Module 1,6
Spigot on free flanks

Maxi transmissible torque
100 N.m

Tang

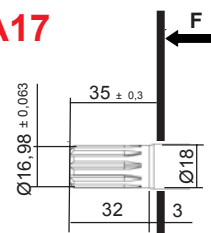
40

C03



Maxi transmissible torque
70 N.m

A17



Involute spline SAE Standard
12 teeth - Pitch 16/32 - Flat root
20° Pressure angle

Maxi transmissible torque
100 N.m

Dimensions readings and approximative characteristics subject to modifications.

F.T 20 1301 4/4



Consult us for availability

Our pumps were studied and manufactured to bring you complete satisfaction. They were designed with first quality materials, produced according to modern processes and controlled by strict tests . However, for the best use, it is absolutely necessary to make some arrangements when mounting and when using. The major 10 are the following:

1- Mounting

On a rigid support, fixed to the driving motor, make sure of the perfect concentricity of the pump centering with the driving shaft (5/100 maximum, when reading), according to the series. Pump can be placed in whatever position.

2- Driving

Apart from the driving torque, no radial nor axial effort must be applied on pump shaft to ensure a good efficiency and a good service. See technical data sheet F.T R 0009 (pump with outrigger bearing excepted). In an installation with:

- rapid duty cycle.
- frequent pressure variations.
- high working pressure.
- important variation of the hydraulic pump speed.

it is recommended to examin the pump coupling regularly and to slightly lubricate the shaft and the sleeve coupling to avoid frictional oxidation phenomena (fretting).

When the pump is driven with parallel keyed or splined shaft, it is recommended that the shaft be lubricated with bearing grease containing molybdenum disulphide.

3- Pipes

Selecting the correct pipe is very important . Apart from flexible hoses, use preferably cold drawn stel tubes, free from calamine and oxidation inside.

All hoses must be properly burred and cleaned. No trace of stranger bodies nor dust must be left; make sure of this before the mounting.

- 1) Never hot-bend hoses so as to avoid oxidation disposals.
- 2) Seal hose or pipe end during storage.
- 3) During the mounting, do not leave them on the floor.
- 4) Make sure of their cleanness until the final mounting.

Suction hose:

It must be made in such a manner so as to get a maximum oil speed of 2,5 m/s, less if possible, mostly for big flows.

Below are some flow indications according to the dimensions of hoses:

1 / 4 "	8 x 13	=	8 l / min
3 / 8 "	12 x 17	=	17 l / min
1 / 2 "	15 x 21	=	27 l / min
3 / 4 "	21 x 27	=	52 l / min
1 "	26 x 34	=	80 l / min
1 " 1 / 4	33 x 42	=	130 l / min
1 " 1 / 2	40 x 49	=	190 l / min
2 "	50 x 60	=	295 l / min
2 " 1 / 2	66 x 76	=	513 l / min
3 "	80 x 90	=	750 l / min

The hose must be as straight as possible. Avoid elbows and connections. Straight angle elbows are prohibited. Narrowing forbidden.

The suction hose must be as short as possible (inferior to 1,50 m); beyond this length, lower the flow speed and ask our Technical Departments for information.

The level between the suction port and the oil must not exceed 0,75 m when the tank is lower down. It is recommended to place the tank on load, that is to say above the pump.

Do not use soft materials to make hoses, depressure and temperature tending to bring sided closer and reduce the flow surface.

Take care of the good screwing of connections to avoid air inlet.

4- Tanks

Tank capacity must be so that in maximum duty, the oil temperature must stabilize at maximum 50 / 60 ° . The quantity of oil that can be taken to ensure the various cycles must be taken into account.

The purpose of a tank, in addition of being a receiver, is to quickly dissipate the calories stored by the circuit when there is no cooling device beside.

Furthermore, it must allow the oil to clarify from the possible emulsions and consequently to avoid the creation of emulsion.

All hoses leading to tank must dive into the fluid.

The fluid coming back to tank must come back to tank very slowly to avoid disturbances on the suction hose.

Tank must be perfectly clean, realized in teme plate or fitted with an hydrocarbon-resistant inside painting.

It must be designed in order that an inspection flap allows a careful cleaning before mounting and during maintenance.

It must be dustproof.

The shape must be simple, either parallelepipedal or cylindrical.

Dimensions readings and approximative characteristics subject to modifications.

F.T.R 0152 2/4

Level control (tightness of connections)

One of the maintenance factors is watching the tank level.

According to the tank capacity, a continuous hose or connector leakage may lead to significant pump oil loss.

Consequences are always damaging to the pump: possible air suction, increased circuit temperature, oil-aging, etc

It is therefore necessary to examine regularly all circuit connections to make sure that there is no leakag.

5- Oil filtration

To ensure the pump a good efficiency and a long life duration, the filtration of the hydraulic fluid is indispensabl .

Do not forget that the pump and the various components of the circuit are lubricated by the convoyad fluid.

At suction : Fit the suction hose with a suction strainer submerged in the tank, the filtration efficiency of which shall be 125 µ.

Do not use a suction strainer with a higher efficiency owing to possible underfeeding effects on the pump.

Flow capacity: 1 dm2 for a flow of 10 l / min.

At pressure or at tank return : Filter having a filtration capacity of 10 or 15 µ. A metal filter can be used.

6- Air filtration

Most of the pumps are prematurely aging due to abrasion coming from external elements to the tank . It is indispensable to fit the tank with a true air filter and not a simple breather.

The air filter must have a 5 µ filtration efficiency.

All othe parts of the tank must be airproo .

7- Pump Protection

All hydraulic installations must have a pressure relief valve to protect the pump, and this for each direction of rotation.

Several kinds can be employed:

- manually operated.
- differential.
- piloted.

Whatever the type, the following is required:

- quick opening.
- low opening range (lower than 20 bar)
- low closing range (lower than 10 bar)
- It must be pulsationfree.
- Make sure of the flow capacity of the pressure relief valve according to the pump flow.

Dimensions readings and approximative characteristics subject to modifications.

F.T.R 0152 3/4

8- Fluid to be employed

A good quality of oil is to be used.

The more important the duty cycle is, the higher the pressure and driving speed are, the more indispensable it is to choose a good quality of fluid.

An oil with viscosity 4 to 5 °E (30 to 40 cSt) to 40 °C must be used.

Take into account the fact that the higher the circuit temperature is, the more necessary it is to choose a high viscosity oil.

In many applications, motor oils can be used; they bring excellent results. For lubrication and life duration, choose class SAE 20 - 40 multigrade oils.

9- Maximum working temperature

Maintaining an hydraulic circuit requires a control, particularly of the oil temperature.

In general, it is recommended not to exceed 50 to 60 °C. If the latter temperature is exceeded, it would be necessary either to increase the tank volume, or to use a cooler.

Also check whether circuit obstructions or abnormal rolling of some distribution or regulation devices are not causing the heating.

In case the working or ambient temperature conditions require a working temperature higher than 60 °C, it is then necessary to use a higher viscosity oil (for instance, 5 °E at 70 °C instead of 50 °C).

Ambiant temperature - 15 °C to + 60 °C.

Also make sure that no external heat supply disturbs the functioning of the pump . In this case, inform our Technical Department who will give you useful advices, among others Viton seals for temperatures between 70 and 130 °C will be recommended (example : hydraulic pump in contact with the carter of a diesel motor that can work under temperatures of 120 °C).

10- Oil aging

The use of an oil that has lost its lubrication properties is a cause for wear and tear of the pump and of the circuit devices.

Temperature variations, rolling in the distribution and regulation valves cause a molecular modification of the fluid in the more or less long-term.

The rapidity of the aging depends on the oil volume in the circuit, on the important temperature variation and on the rolling under pressure.

According to the energy conversion rate of the circuit, it is necessary to provide for changing oil between 500 and 1000 duty hour .

(N.B: analysis in case of a big quantity of oil).

11- Additional information

For any further details, seek advice from our Technical Departments.

Dimensions readings and approximative characteristics subject to modifications.

F.T.R 0152 4/4

Dimensions readings and approximative characteristics subject to modifications.

TYPE	ISO	CASTROL	ELF	ESSO	FINA
HM	32	HYSPIN AWS 32	ELFOLNA DS 32	NUTO H 32	HYDRAN TS 32
	46	HYSPIN AWS 46	ELFOLNA DS 46	NUTO H 46	HYDRAN TS 46
	68	HYSPIN AWS 68	ELFOLNA DS 68	NUTO H 68	HYDRAN TS 68
HV	32	HYSPIN AWH 32	HYDRELF DS 32	UNIVIS N 32	HYDRAN TSX 32
	46	HYSPIN AWH 46	HYDRELF DS 46	UNIVIS N 46	HYDRAN TSX 46
	68	HYSPIN AWH 68	ELFOLNA DS 68	UNIVIS N 68	HYDRAN TSX 68
HE	32	CARELUBE HTG 32			BIOHYDRAN TMP 32
	46			UNIVIS BIO SHP 46	BIOHYDRAN TMP 46
	68				BIOHYDRAN TMP 68
OILS DIESELS MOTORS			PERFORMANCE XR 15W-40	FARM 4 15W-40	KAPPA SUPER 10W
		RX SUPER PLUS 15W-40	PERFORMANCE SUPER D 15W-40	ESSOLUBE X 301 10W	KAPPA SUPER 20W20
			PERFORMANCE TROPHY DX 15W-40	ESSOLUBE XT 301 15W-40	KAPPA SUPER 15W40

TYPES	ISO	FUCHS LUBRIFIANTS INDUSTRIE	MOBIL	SHELL	TOTAL
HM	32	RENOLIN EXTRA 32S	MOBIL DTE 24	TELLUS 32	AZOLL ZS 32
	46	RENOLIN EXTRA 46S	MOBIL DTE 25	TELLUS 46	AZOLLA ZS 68
	68	RENOLIN EXTRA 68S	MOBIL DTE 26	TELLUS 68	AZOLLA ZS 68
HV	32	RENOLIN EQUIGRADE 32	MOBIL DTE 13 M	TELLUS T et ST 32	EQUIVIS ZS 32
	46	RENOLIN EQUIGRADE 46	MOBIL DTE 15 M	TELLUS T et ST 46	EQUIVIS ZS 46
	68	RENOLIN EQUIGRADE 68	MOBIL DTE 16 M	TELLUS T et ST 68	EQUIVIS ZS 68
HE	46			NATURELLE HFE	HYDROBIO 46
OILS DIESELS MOTORS		TITAN TRUCK 15W-40			RUBIA S 10W
		TITAN UNIVERSAL HD 15W-40		RIMULAX 15W - 40	
		TITAN UNIVERSAL HD 20W-50			

OILS TYPE HM : Refined mineral oils with anti-rust, anti - oxydation and anti - wear properties.
Application hydraulic systems in general. (Max pressure 2900 PSI, Max speed 2000 RPM)

OILS TYPE HV : Oils type HM with improved viscosity / temperature properties.
Application car industry, marine equipment, high performance hydraulic (high pressures and speds).

OILS TYPE HE : Biodegradable hydraulic oils, synthetic base (esters).
Can be used in all hydraulic equipments requiring a HV oil.

OILS TYPE HFAE, HFAE, HFB, HFC, HFD : Water emulsion in oil or synthetic fluid, consult our technical departments.
The type of elastomer and the compatibility definition must be subject to an agreement between the supplier and the final customer.

F.T.R 0003

As the JTEKT-HPI hydraulic pumps are designed with shafts on bush bearings, it is necessary to avoid any axial or radial load and, in order to obtain the best performances and a longer life time, to pay some keen attention to the transmission driving type.

The hereunder sketches show the couplings to realize or to proscribe in order to avoid any kind of damage of the pump.

Recommended couplings :

F.T R 0009 1/3 2/3

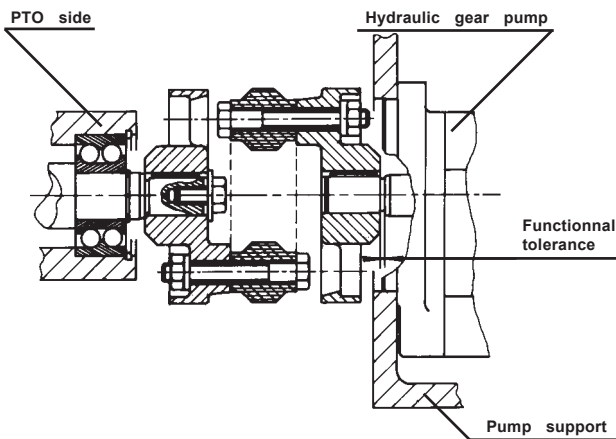
Conditionnally recommended couplings :

F.T R 0009 2/3 3/3

Proscribed couplings :

F.T R 0009 3/3

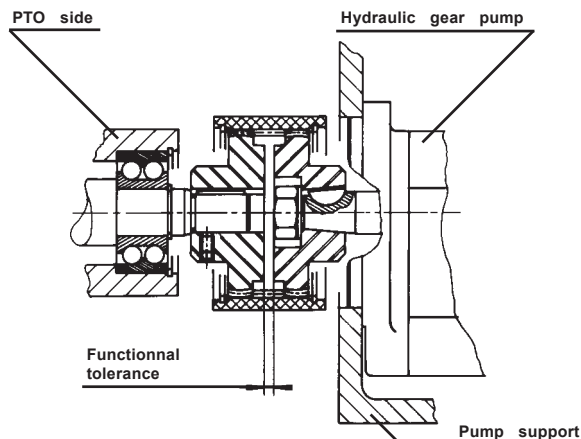
RECOMMENDED COUPLINGS



Mounting with elastic 3 parts coupling .

The pump shafts can be :

- Straight keyed shafts
- Tapered shafts
- Splined shafts



Mounting with 3 parts coupling with bulged gear .

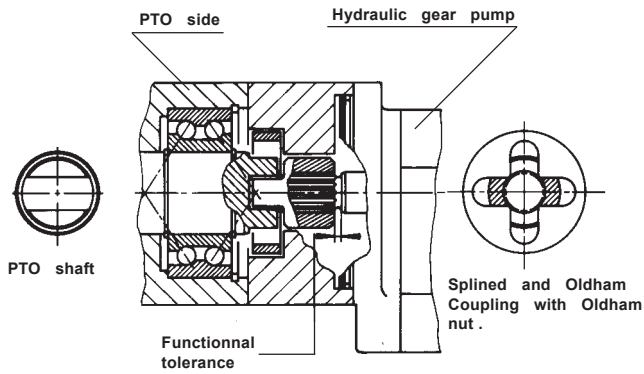
The pump shafts can be :

- Straight keyed shafts
- Tapered shafts
- Splined shafts

Dimensions readings and approximative characteristics subject to modifications.

F.T R 0009 1/3

RECOMMENDED COUPLINGS

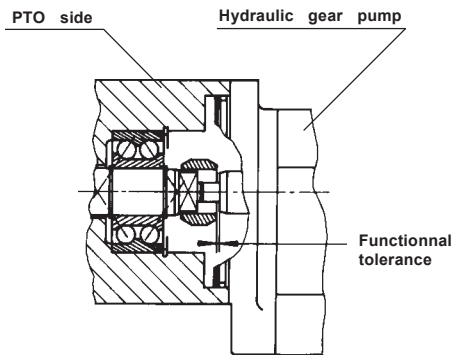


Mounting with coupling and Oldham coupling .

The pump shafts can be :

- Straight keyed shafts
- Tapered shafts
- Splined shafts

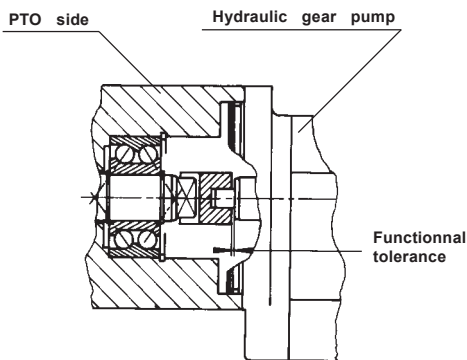
RECOMMENDED LUBRICATION.



Mounting with Oldham coupling .

Tang drive shaft on PTO and pump shaft .

RECOMMENDED LUBRICATION.

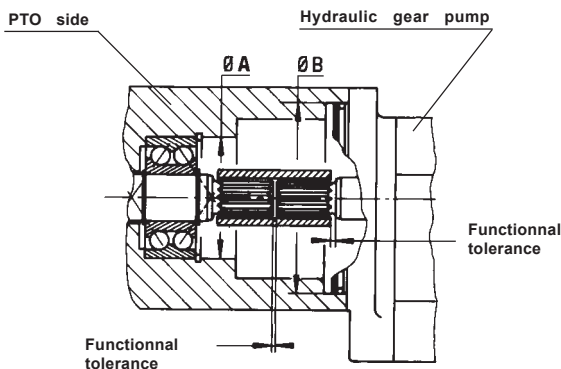


Mounting with Oldham coupling .

Tang drive shaft on PTO and pump shaft .

RECOMMENDED LUBRICATION.

CONDITIONALLY ALLOWED COUPLINGS



Mounting with splined coupling (Spigot on free flank) .

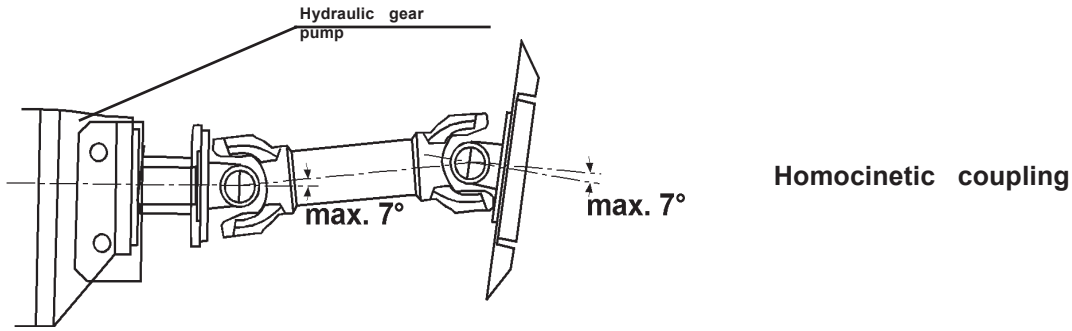
Tolerated coupling provided that there is a perfect concentricity between Ø A and Ø B .

Concentricity $\leq 0,03$ (according to the pump type and capacity) .

Dimensions readings and approximative characteristics subject to modifications.

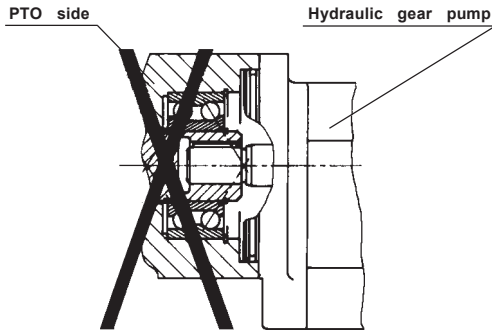
F.T.R 0009 2/3

CONDITIONALLY ALLOWED COUPLINGS



PROSCRIBED COUPLINGS

(Direct drive of the pump shaft on the PTO shaft)

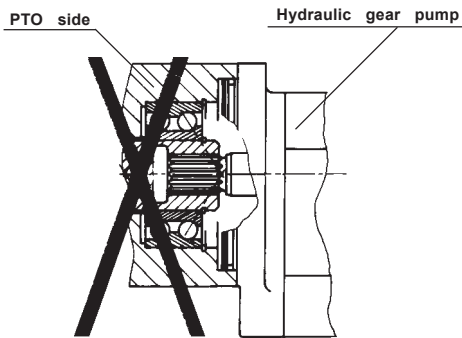


Straight keyed drive .

Hyperstatic mounting .

Impossibility to line up properly the pump shaft and the PTO shaft .

INEVITABLE PUMP SHAFT - CONSTRAINT

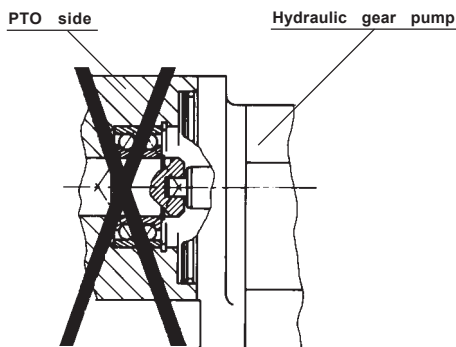


Splined drive .

Hyperstatic mounting .

Impossibility to line up properly the pump shaft and the PTO shaft .

INEVITABLE PUMP SHAFT - CONSTRAINT



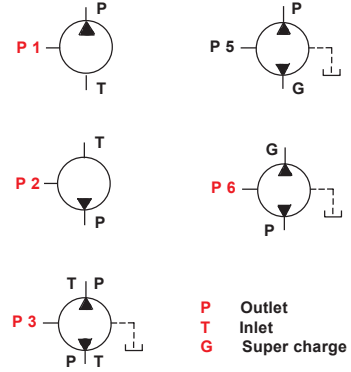
Tang drive .

Pump shaft directly into the PTO shaft .

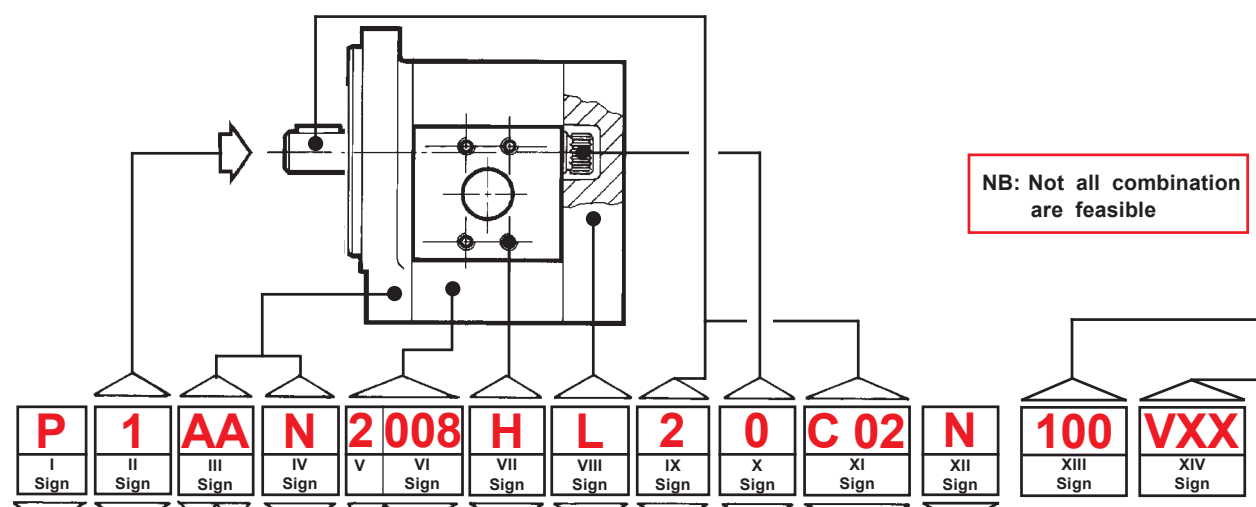
INEVITABLE PUMP SHAFT - CONSTRAINT

Dimensions readings and approximative characteristics subject to modifications.

F.T R 0009 3/3



P Outlet
T Inlet
G Super charge



NB: Not all combination are feasible

CAUTION:
The signes XIII and XIV are valid only for the pumps with relief valve.
(see rear bodies technical data sheet according to the series concerned)

TYPE
Pump **P**
" Saphir " Pump **S*** * Only for series 2 and 2,5

DIRECTION of ROTATION
Clockwise **1**
Anti clockwise **2**
2 direction (no preferential direction) **3**
2 direction for super charge Inlet (Preferential direction 1) **5**
2 direction for super charge Inlet (Preferential direction 2) **6**

FRONT BODY MOUNTING FLANGE
2 and 4 holes (USA - ISO) **A**
4 holes (English - Italian) **B**
2 and 4 holes (French) **C**
2 and 4 holes (German) **D**
4 holes **Z**
A , B , C , D , E , F , J , L , R , W , Z

FLAT FRONT BODY
without tighness on spigot joint **N**
with tighness on spigot joint **K**
THICK FRONT BODY WITH FRONT BEARING
Hard Series
without tighness on spigot joint **P**
with tighness on spigot joint **R**
Light Series
without tighness on spigot joint **X**
with tighness on spigot joint **Z**
Power take-off **C**
Module flange without tighness **N**
Module flange with tighness **E**

* Only for Series 2 and 2,5

TYPE of SERIES

Series 0
Series 1
Series 2
Series 2,5
Series 2,6
Series 3
Series 5
Series 4

CAPACITY (cc / rev)

0,25 - 0,50 - 0,75 - 1,00 - 1,25 - 1,50 - 2,00
(00)1 - (00)2 - (00)3 - (00)4 - (00)5 - (00)6
(00)4 - (00)6 - (00)8 - (0)10 - (0)12 - (0)15 - (0)17 - (0)18 - (0)22 - (0)26 - (0)30
12 - 15 - 17 - 18 - 22
20 - 25 - 27 - 30 - 35 - 40
(0)20 - (0)25 - (0)31 - (0)40 - (0)50 - (0)60 - (0)71 - (0)80 - (0)90 - 100
(0)43 - (0)52 - (0)62 - (0)72 - (0)83 - (0)93 - 103 - 125 - 140 - 153
075 - 110 - 150 - 175 - 212 - 250

(0) - Only for codification purposes

SHAFT SEAL
N Nitrile
V Viton
S " Saphir "

PRIMARY SHAFT CODE
see Data sheet

TYPE of SHAFT
Front **1** Tapered
2 Straight keyed
3 Splinned
4 Tang
Rear **0** without shaft

REAR BODY
L not port on rear body (Standard)
A External flow control
X High pressure relief valve, internal pressure
T High pressure relief valve, external pressure
V Low pressure relief valve, internal return
W Low pressure relief valve, external return
Q Internal flow control
AR with block, configuration MBPS
J Pre-arrangement for assembling "Module 3" Series 1, 2, 2,6 and 3

PORT LOCATION
H Implantation HPI
C Square location
F Threaded ports
Y ISO location (Norm 6162)
S SAE location (Norm J518c)
B Italian location
U SAE threaded location (Norm J475)
X without ports (with Rear body Typ A)

Consult us for availability

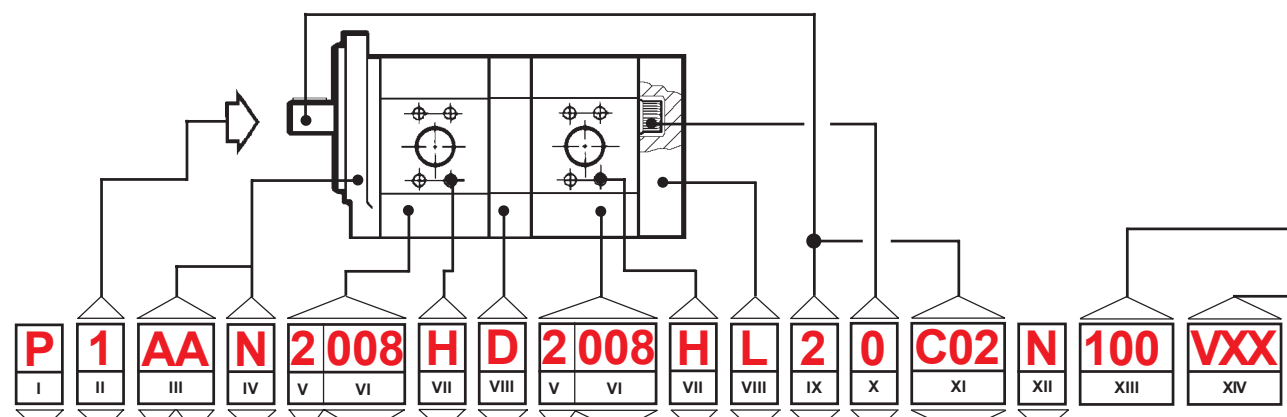
Dimensions readings and approximative characteristics subject to modifications.

F.T R 0011

HYDRAULIC GEAR PUMPS

NB: Not all combination are feasible

CAUTION:
The signes XIII and XIV are valid only for the pumps with relief valve.
(see rear bodies technical data sheet according to the series concerned)



Pressure
Rotation speed

- SHAFT SEAL**
- N Nitrile
 - V Viton
- PRIMARY SHAFT CODE**
see data sheets
- TYPE of SHAFT**
- | | |
|------------------|--|
| Front | Rear |
| 1 Tapered | 0 without shaft |
| 2 Straight keyed | 3 Pre-arrangement for mounting 2nd stage |
| 3 Splinned | |
| 4 Tang | |

- REAR BODY**
- L not port on rear body (Standard)
 - A External flow control
 - X High pressure relief valve, internal pressure
 - T High pressure relief valve, external pressure
 - V Low pressure relief valve, internal return
 - W Low pressure relief valve, external return
 - Q Internal flow control
 - AR with Block, configuration MBPS
 - J Pre-arrangement for assembling "Module 3" Series 1 - 2 - 2,5 - 2,6 - 3

- JUNCTION BODY**
- A Communication between suction ports
 - D Independant inlet side (Communication of leaks)
 - E Tightness between ports
 - X Adjustable relief valve internal return in preceding pump
 - J Junction "Module 3"

- TYPE**
Pumpe **P**
- DIRECTION of ROTATION**
- 1 Clockwise
 - 2 Anti clockwise
- FRONT BODY**
- MOUNTING FLANGE**
- A 2 and 4 holes (USA - ISO)
 - B 4 holes (English - Italian)
 - C 2 and 4 holes (French)
 - D 2 and 4 holes (German)
 - Z 4 holes
 - A, B, C, D, E, F, J, L, R, W, Z.....
 - Variations
- FLAT FRONT BODY**
- without tightness on spigot joint **N**
 - with tightness on spigot joint **K**
- THICK FRONT BODY WITH FRONT BEARING**
- Hard Series**
- without tightness on spigot joint **P**
 - with tightness on spigot joint **R**
- Light Series**
- without tightness on spigot joint **X**
 - with tightness on spigot joint **Z**
 - Power take off **C**
- Module flange without tightness (* **N**)
Module flange with tightness (* **E**)
- (* Only for Series 2 and 2,5)

TYPE of SERIE	CAPACITY (cc / rev)
Series 0	0,25 - 0,50 - 0,75 - 1,00 - 1,25 - 1,50 - 2,00
Series 1	(00)1 - (00)2 - (00)3 - (00)4 - (00)5 - (00)6
Series 2	(00)4 - (00)6 - (00)8 - (0)10 - (0)12 - (0)15 - (0)17 - (0)18 - (0)22 - (0)26 - (0)30
Series 2,5	12 - 15 - 17 - 18 - 22
Series 2,6	20 - 25 - 27 - 30 - 35 - 40
Series 3	(0)20 - (0)25 - (0)31 - (0)40 - (0)50 - (0)60 - (0)71 - (0)80 - (0)90 - 100
Series 5	(0)43 - (0)52 - (0)62 - (0)72 - (0)83 - (0)93 - 103 - 125 - 140 - 153
Series 4	075 - 110 - 150 - 175 - 212 - 250

(0) - only for codification purposes

- PORT LOCATION**
- H HPI
 - C Square location
 - F Threaded ports
 - Y ISO location (Norm 6162)
 - S SAE location (Norm J518c)
 - B Italian location
 - U SAE threaded location (Norm J475)
 - X without ports (with Rear body Typ A)

Dimensions readings and approximative characteristics subject to modifications.

F.T R 0030

HYDRAULIC GEAR PUMPS

Consult us for availability

SERIES

MODEL	Capacity cc / rev	PEACK PRESSURE		MAX WORKING PRESSURE		Maxi speed RPM	NOMINAL FLOW		Input power (kW) at 1000 RPM and 100 bar	Input torque at 100 bar and N.m	Approx. weight Kg
		bar	PSI	bar	PSI		at 1500 RPM	at Maxi speed			
							l / min	l / min			

0

0025	0,25	280	4060	240	3480	8000	0,37	2	0,05	0,47	0,42
0050	0,50	280	4060	240	3480	8000	0,75	4	0,10	0,54	
0075	0,75	250	3625	210	3045	8000	1,12	6	0,15	1,40	
0100	1	250	3625	210	3045	8000	1,50	8	0,20	1,87	0,45
0125	1,25	200	2900	170	2465	6000	1,87	7,5	0,25	2,34	
0150	1,50	150	2175	125	1812	6000	2,25	9	0,29	2,81	
0200	2	125	1812	105	1522	5000	3	10	0,39	3,74	0,50

1

1001	1,02	300	4350	255	3697	8000	1,53	8,16	0,20	1,91	0,9
1002	2,05	300	4350	255	3697	8000	3,07	16,4	0,40	3,83	
1003	3,07	300	4350	255	3697	7000	4,60	21,4	0,60	5,74	
1004	4,09	250	3625	215	3117	6000	6,13	24,5	0,80	7,65	1,1
1005	5,12	200	2900	170	2465	6000	7,68	30,7	1	9,58	
1006	6,14	150	2175	125	1812	6000	9,21	30,7	1,20	11,49	

2

2004	4,65	280	4060	240	3480	3500	6,97	16,2	0,91	8,70	1,6
2006	6,45	280	4060	240	3480	3500	9,67	22,5	1,26	12,07	1,6
2008	8,25	280	4060	240	3480	3500	12,37	28,8	1,62	15,43	1,7
2010	10,12	280	4060	240	3480	3500	15,18	35,3	1,98	18,93	1,7
2012	12	280	4060	240	3480	3500	18	42	2,35	22,45	1,7
2014	13,8	250	3625	210	3045	3500	20,7	48,3	2,71	25,81	2
2015	15,52	250	3625	210	3045	3500	23,25	52,5	3,04	29,03	2,1
2017	17,3	220	3190	190	2755	3500	25,95	60,55	3,39	32,36	2,1
2018	19,12	200	2900	170	2465	3500	28,65	66,8	3,75	35,77	2,2
2022	22,87	175	2537	150	2175	3500	34,2	79,8	4,48	42,78	2,3
2026	27,6	175	2537	150	2175	3000	41,4	82,8	5,41	51,63	2,7
2030	31,2	175	2537	150	2175	3000	46,8	93,6	6,12	58,36	2,8

2,5

2512	12	300	4350	255	3697	3500	18	42	2,35	22,45	2,2
2515	15,52	280	4060	240	3480	3500	23,25	52,5	3,04	29,03	2,6
2517	17,3	280	4060	240	3480	3500	25,95	60,55	3,39	32,36	2,6
2518	19,12	250	3625	215	3117	3500	28,65	66,8	3,75	35,77	2,7
2522	22,87	225	3262	190	2755	3500	34,2	79,8	4,48	42,78	2,8

2,6

2620	19,6	330	4185	280	4060	3000	29,40	58,80	3,70	36,66	8
2625	24,2	330	4185	280	4060	3000	36,30	72,60	4,50	45,27	
2627	27,5	330	4185	280	4060	3000	41,25	82,50	5	51,25	
2630	30,5	330	4185	280	4060	3000	45,75	91,50	5,70	57,05	
2635	34,5	290	4205	250	3625	3000	51,75	103,50	6,40	64,54	
2640	39,8	250	3625	210	3045	3000	59,70	119,40	7,50	74,45	

Dimensions readings and approximative characteristics subject to modifications.

F.T R 0005 1/2



Consult us for availability

[home](#)

[contents](#)

[previous](#)

[next](#)

[main dimensions](#)

SERIES

MODEL	Capacity cc / rev	PEACK PRESSURE		MAX WORKING PRESSURE		Maxi speed RPM	NOMINAL FLOW		Input power (kW) at 1000 RPM and 100 bar	Input torque at 100 bar and N.m	Approx. weight Kg
		bar	PSI	bar	PSI		at 1500 RPM	at Maxi speed			
							l / min	l / min			

3

3020	21,1	275	3987	235	235	3000	31,65	63,3	4,14	39,47	5,6
3025	25,8	275	3987	235	235	3000	38,7	77,4	5,06	48,26	5,6
3031	32,1	275	3987	235	235	3000	48,15	96,3	6,29	60,05	5,6
3040	41,5	275	3987	235	235	3000	62,25	124,5	8,14	77,63	5,7
3050	51,65	250	3625	215	215	3000	77,47	154,9	10,13	96,62	6,9
3060	62,6	225	3262	190	190	2500	93,9	156,5	12,27	117,10	7
3071	73,55	225	3262	190	190	2500	110,32	183,8	14,42	137,58	7
3080	82,95	200	2900	170	170	2200	124,42	182,4	16,26	155,17	7,1
3090	92,95	150	2175	130	130	2000	139,42	185,9	18,23	173,87	7,8
3100	103,9	150	2175	130	130	2000	155,85	207,8	20,37	194,37	8

5

5043	43,06	300	4350	255	3697	3000	64,59	129	8,44	80,55	14,2
5052	52,91	300	4350	255	3697	3000	79,36	158,5	10,37	98,97	14,2
5062	62,75	300	4350	255	3697	3000	94,12	188	12,30	117,38	14,4
5072	72,59	300	4350	255	3697	3000	108,88	217,5	14,23	135,79	14,6
5083	83,67	280	4060	240	3480	2700	125,50	226	16,41	156,51	15,1
5093	93,51	250	3625	210	3045	2700	140,26	252,5	18,34	174,92	15,2
5103	103,3	250	3625	210	3045	2700	154,95	279	20,25	193,23	15,2
5125	125,5	250	3625	210	3045	2600	188,25	326	24,61	234,76	15,7
5140	140,2	250	3625	210	3045	2500	210,30	350,5	27,49	262,26	15,7
5153	153	250	3625	210	3045	2400	229,50	367,5	30	286,20	16

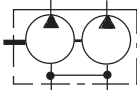
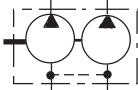
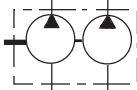
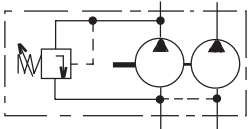
4

4075	075	200	2900	170	2465	2500	112,5	187,5	19,37	141	17
4110	110	200	2900	170	2465	2500	165	275	28,42	206	17,2
4150	150	200	2900	170	2465	2500	225	375	28,60	281	17,4
4175	175	175	2625	150	2175	2500	262,5	437,5	34,31	327,35	19
4212	212	150	2175	130	1885	2500	318	530	41,57	396,56	19,4
4250	250	125	1812	105	1522	2000	375	500	49,02	467,65	20

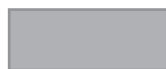
Dimensions readings and approximative characteristics subject to modifications.

F.T R 0005 2/2

Consult us for availability

TYPE DES POMPES	(VIII Signe)			
	Communication between suction ports <small>(Capacity of the pump without suction \geq half of the capacity of the front section)</small> Code A 	Indépendant inlet side (communication of leaks) <small>(Oil and tank to be necessarily identical)</small> Code D 	Tightness between ports Code E 	Adjustable relief valve internal return in preceding pump Code X 
0 / 0				
1 / 1				
2 / 1				
2 / 2				
2,5 / 1				
2,5 / 2				
2,5 / 2,5				
2,6 / 2				
2,6 / 2,5				
2,6 / 2,6				
3 / 1				
3 / 2				
3 / 2,5				
3 / 3				
5 / 5				
4 / 4				

ATTENTION: Versions 2 / 1 and 2,5 / 1 are not feasible in DCN - DCK - DUK - DWN - DZK



Types not manufactured



Consult us for availability

F.T.R 0029