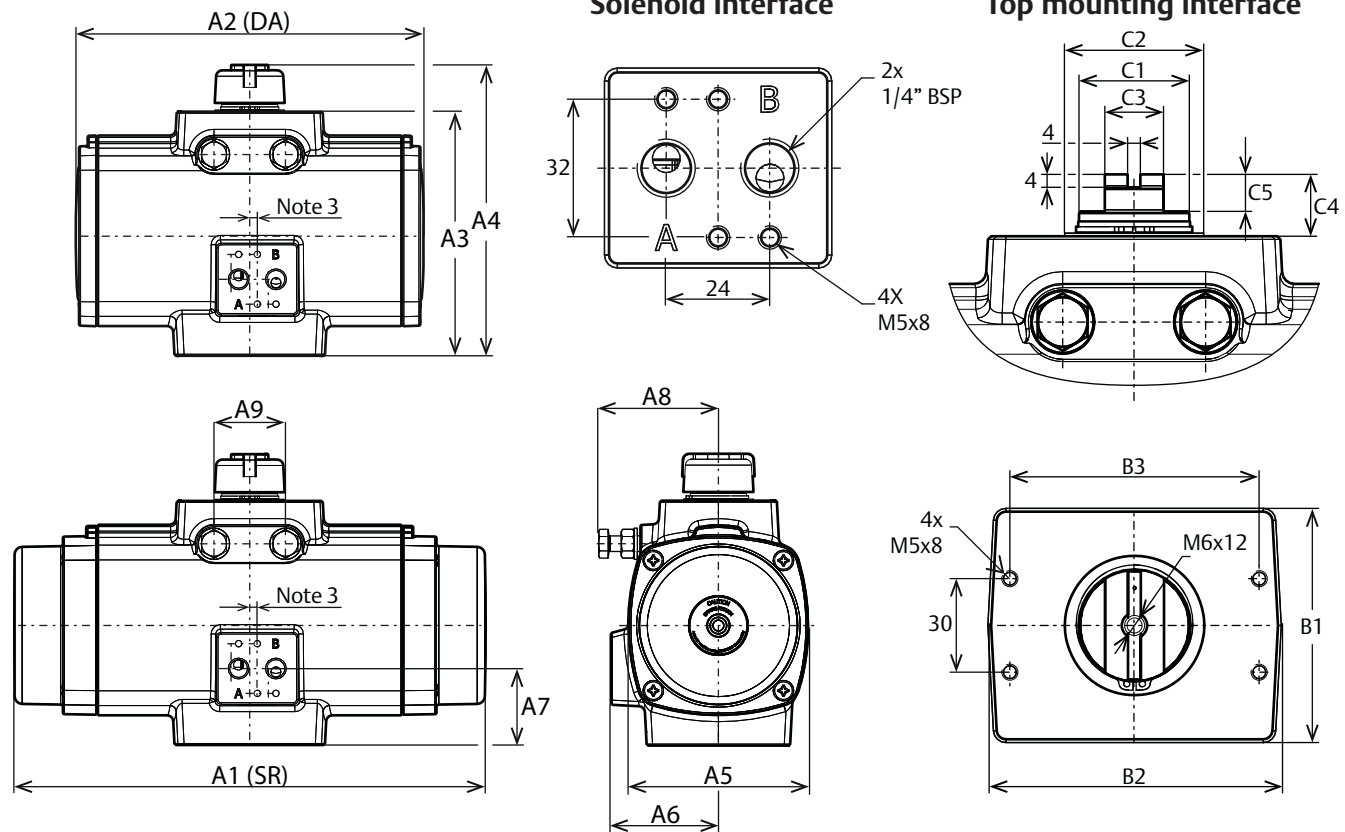


Dimensions - Metric (ISO5211)

Envelope dimensions - Solenoid interface - Top mounting interface



Note:

1. DA = Double-Acting, SR = Spring-Return
2. Solenoid interface and top mounting interface according to VDI/VDE3845 (NAMUR)
3. The solenoid drilling pattern is shifted 4 mm for size 0025 and 2 mm for size 0040 vs the centerline of the actuator.

Tolerance limits unless otherwise specified:

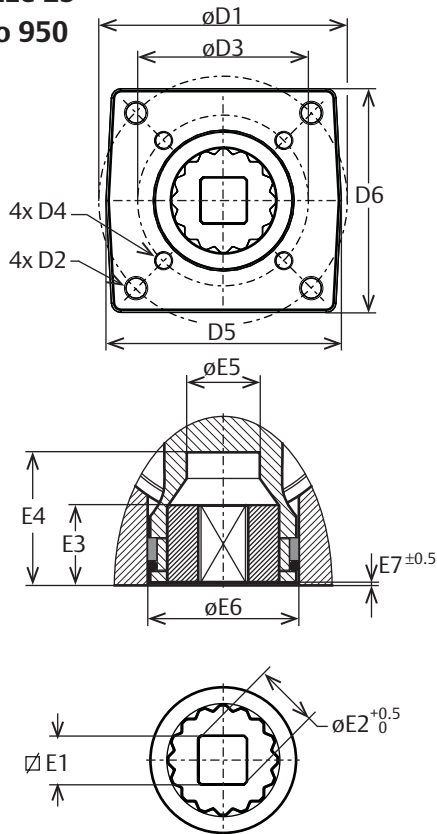
- X. = ± 0.5 mm
- X.X = ± 0.25 mm
- X.XX = ± 0.1 mm

Dim. in	Actuator size											
mm	0025	0040	0065	0100	0150	0200	0350	0600	0950	1600	2500	4000
A1	166	192	217	247	304	362	385	476	xxx	xxx	xxx	xxx
A2	166	192	217	247	223	256	269	336	xxx	xxx	xxx	xxx
A3	91	112	124	131	157	163	201	248	xxx	xxx	xxx	xxx
A4	119	139	151	158	185	191	230	292	xxx	xxx	xxx	xxx
A5	82	95	104	115	127	134	165	199	xxx	xxx	xxx	xxx
A6	49	55	58	64	69	72	85	102	xxx	xxx	xxx	xxx
A7	30	34	38	38	49	49	42	67	xxx	xxx	xxx	xxx
A8	48	58	69	69	75	87	109	132	xxx	xxx	xxx	xxx
A9	18	25	27	28	46	46	46	60	xxx	xxx	xxx	xxx
B1	43	45	50	60	75	75	85	98	xxx	xxx	xxx	xxx
B2	94	94	94	97	94	94	100	148	xxx	xxx	xxx	xxx
B3	80	80	80	80	80	80	80	130	130	130	130	130
C1	16	22	22	22	34	36	36	55	55	64	55	64
C2	23	30	30	30	45	45	45	65	65	75	65	80
C3	10	14	14	14	19	19	19	36	36	36	36	36
C4	20	20	20	20	20	20	20	30	30	30	30	30
C5	12	12	12	12	12	12	12	10	10	10	10	10

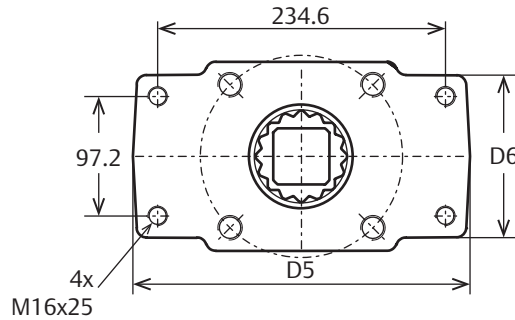
Dimensions - Metric (ISO5211)

Valve Flange and Drive details

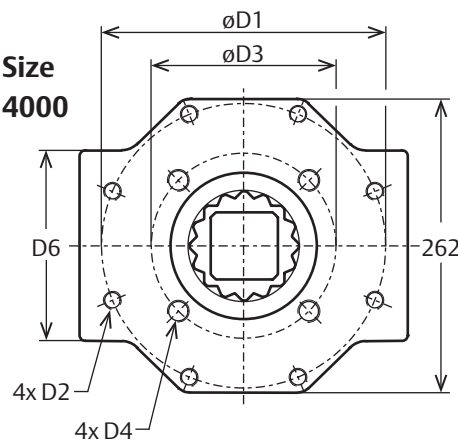
Size 25
to 950



Size 1600
& 2500



Size 4000



Note:

1. Flange and square drive according to ISO 5211

Tolerance limits unless otherwise specified:

- X. = ±0.5 mm
- X.X = ±0.25 mm
- X.XX = ±0.1 mm

Dim in.	Actuator size											
mm	0025	0040	0065	0100	0150	0200	0350	0600	0950	1600	2500	4000
ISO 1	F05	F07	F07	F07	F10	F10	F10	F12	F14	F16	F16	F25
D1	50	70	70	70	102	102	102	125	125	165	165	254
D2	M6x10	M8x13	M8x13	M8x13	M10x15	M10x15	M10x15	M12x18	M12x18	M20x20	M20x20	M16x25
ISO 2	F03	F05	F05	F05	F07	F07	F07	F10	F10	F25*	F25*	F16
D3	36	50	50	50	70	70	70	102	102	-/-	-/-	165
D4	M5x8	M6x10	M6x10	M6x10	M8x13	M8x13	M8x13	M10x16	M10x16	-/-	-/-	M20x20
D5	50	68	68	66	97	94	94	118	xx.x	xx.x	xx.x	xx.x
D6	48	65	65	63	92	90	94	113	xx.x	xx.x	xx.x	xx.x
E1 Max	11.08	14.08	14.08	19.08	19.08	22.10	27.11	27.11	36.16	46.16	46.16	55.24
E1 Min	11.00	14.00	14.00	19.00	19.00	22.00	27.00	27.00	36.00	46.00	46.00	55.00
E2	14.1	18.1	18.1	25.2	25.5	28.2	36.2	36.21	58.2	60.2	60.2	72.2
E3	15	15	15	18	27.5	27.5	27.5	27.5	xx.x	xx.x	xx.x	xx.x
E4	34	34	34	34	50	50	50	50	xx.x	xx.x	xx.x	xx.x
E5	14.1	18.1	21.1	23.5	28.5	32.1	32.1	36.5	xx.x	xx.x	xx.x	xx.x
E6	24.5	34.5	34.5	38	56.5	56.5	56.5	67.5	xx.x	xx.x	xx.x	xx.x
E7	0.5	1	1	1	1.2	1.2	1.2	1.2	x.x	x.x	x.x	x.x