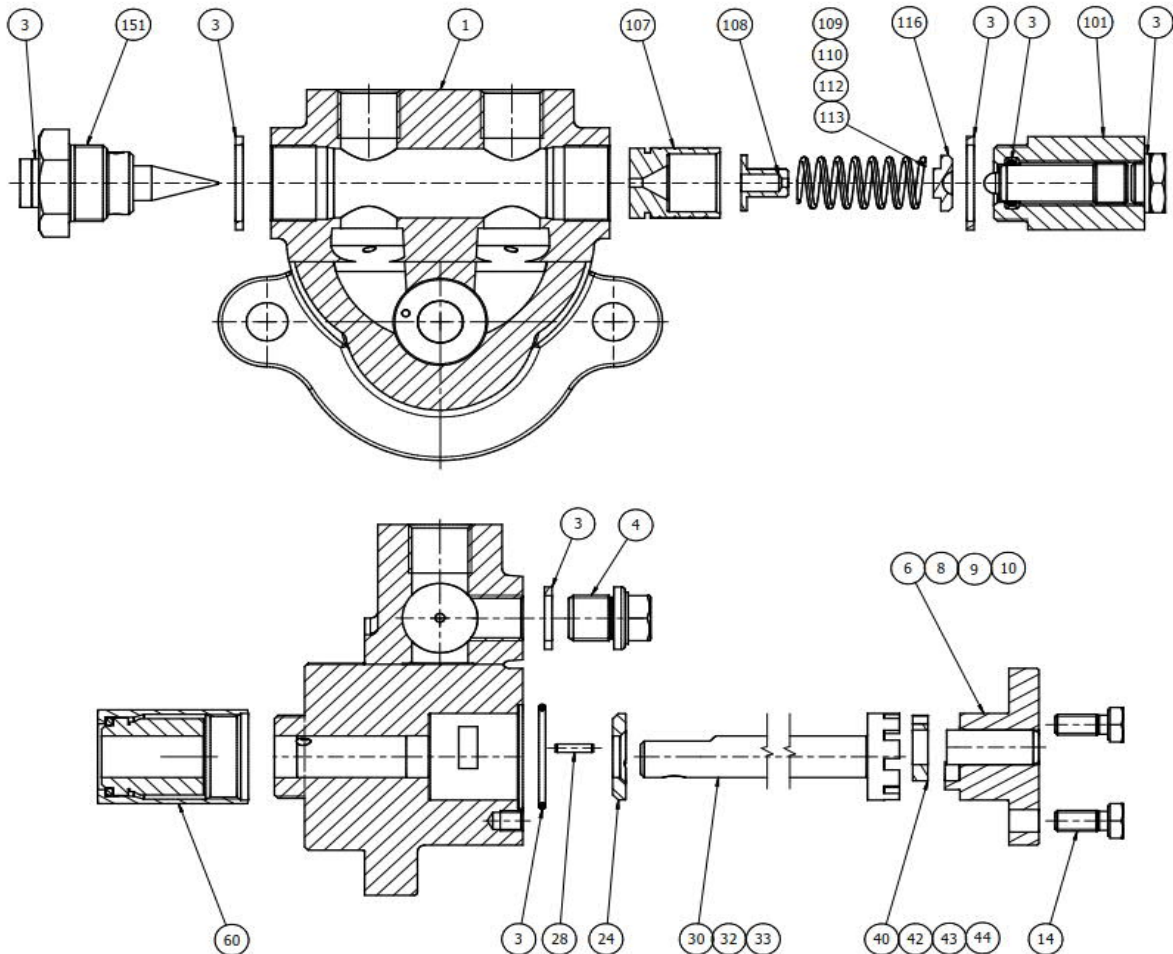


For ordering spare parts specify the type of pump and the pressure range is essential.

No.	Description	Art.- No.	No.	Description	Art.- No.
	Pump			hp- Overflow Valve - integrated in pump	
1	Pump body	084.0103	101	Regulation nut	084.1502
3	Sealing Kit	082.7940	107	Piston Ø 20 (Bore Ø 2,5)	084.0632
4	Cover screw G 1/4" x 8	088.0511	108	Noise head (from pressure stage 3)	084.0653
6	Cover 45/90 l/h	084.9430-3	113	Pressure spring stage 0	084.0667
8	Cover 80/160 l/h	084.9432-3	109	Pressure spring stage 1	084.0668
9	Cover 120/240 l/h	084.9434-3	110	Pressure spring stage 2	084.0669
10	Cover 160/320 l/h	084.9436-3	112	Pressure spring stage 3+4	084.0672
14	Hexagon head cap screw for cover M 6 x 14 (5 pieces)	088.0984	116	Spring plate Ø 8,5	084.0692
24	Lower bearing	084.0202	151	Valve screw	084.1517
28	Adjusting pin Ø 2 x 10 - DIN 1481	088.1450			
30	Rotor 45/90 l/h	084.0220			
32	Rotor 80/160 l/h	084.0222			
33	Rotor 120/240 l/h	084.0224			
34	Rotor 160/320 l/h	084.0228			
40	Pinion gear 45/90 l/h	084.0302			
42	Pinion gear 80/160 l/h	084.0304			
43	Pinion gear 120/240 l/h (1x No.40/42)				
44	Pinion gear 160/320 l/h (2 x No. 42)				
60	Axial Face Seal cpl.	019.0015			



hp-Technik GmbH Industrierpumpen-Förderaggregate und Anlagenbau

Gablonzer Straße 21

D-76185 Karlsruhe Germany

Tel.: 0721/ 9 56 18 - 0

Postfach 21 10 10

D-76160 Karlsruhe Germany

FAX: 0721/ 9 56 18 - 28

home: www.hptechnik.com

E-Mail: info@hptechnik.com