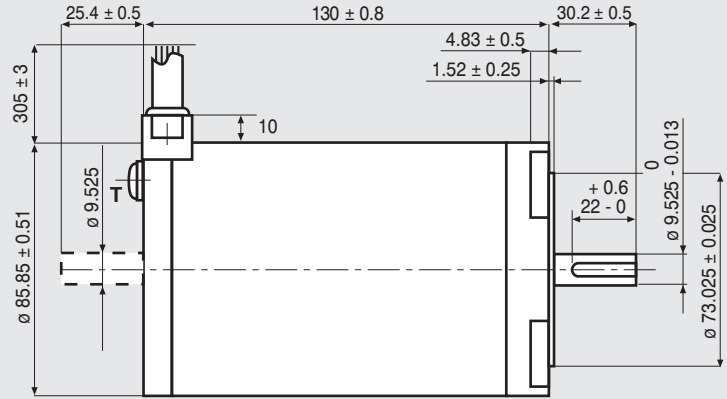
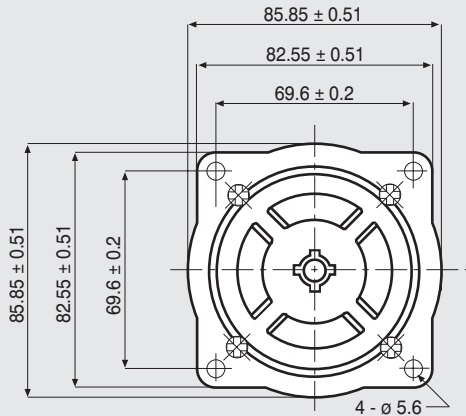
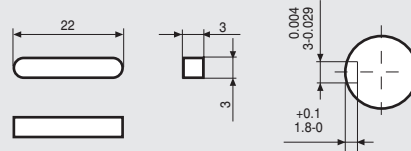


Dimensions (Unit:mm)



WIRES ARE HOUSED IN A VINYL TUBE.
T IS THE EARTH TERMINAL.

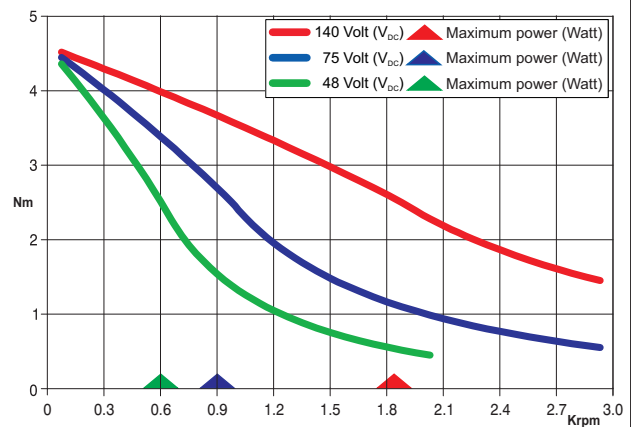


FEATURES

MODEL	103-845-6741 (103-845-6711)	
BASIC STEP ANGLE	1.8° ± 0.09°	
BIPOLAR CURRENT	(Amp)	9.5
UNIPOLAR CURRENT	(Amp)	6.7
RESISTANCE	(Ohm)	0.45
INDUCTANCE	(mH)	2.0
BIPOLAR HOLDING TORQUE	(Ncm)	510
UNIPOLAR HOLDING TORQUE	(Ncm)	410
ROTOR INERTIA	(Kg ^m 2 x 10 ⁻⁷)	1550
THEORETICAL ACCELERATION	(rad x sec. ⁻²)	32900
BACK E.M.F.	(V/Krpm)	46
MASS	(Kg)	3.6
PROTECTION DEGREE	IP43	
LEADS CODE	II	

Codes between brackets refer to double shaft models.
Le sigle fra parentesi si riferiscono ai modelli bialbero.

TORQUE/SPEED CURVE



R.T.A. s.r.l. PAVIA (ITALY) SANYO DENKI CO., Ltd (JAPAN)



II

EMC - 10 - 14

Suggested R.T.A. driver: PLUS Series.



R.T.A. s.r.l.
Via E. Mattei - Fraz. Divisa
27020 MARCIGNAGO (PV) ITALY
Tel. +39.0382.929.855 - Fax +39.0382.929.150
www.rta.it

R.T.A. Deutschland GmbH
Bublitz Straße 34
40599 DÜSSELDORF (Germany)
Tel. +49.211.749.668.60 - Fax +49.211.749.668.66
www.rta-deutschland.de

R.T.A. IBERICA-Motion Control Systems S.L.
C/Generalitat 22, 1° 3°
08850 GAVA - BARCELONA (Spain)
Tel. +34.936.388.805 - Fax +34.936.334.595
www.rta-iberica.es