

Datasheet 1-phase Safety Isolating Transformer

Alfa Laval item no.: 580993-01

Noratel item no.: 5-080-001656

Noratel type : SUS120A-400-690/24-24

Degree of protection: IP00 Terminal protection: IP20

Ambient temperature: 55°C

Insulation class: B (130°C)

Primary voltages: $\pm 20V$, 400-440-480-575-690V

Frequency: 47-63Hz

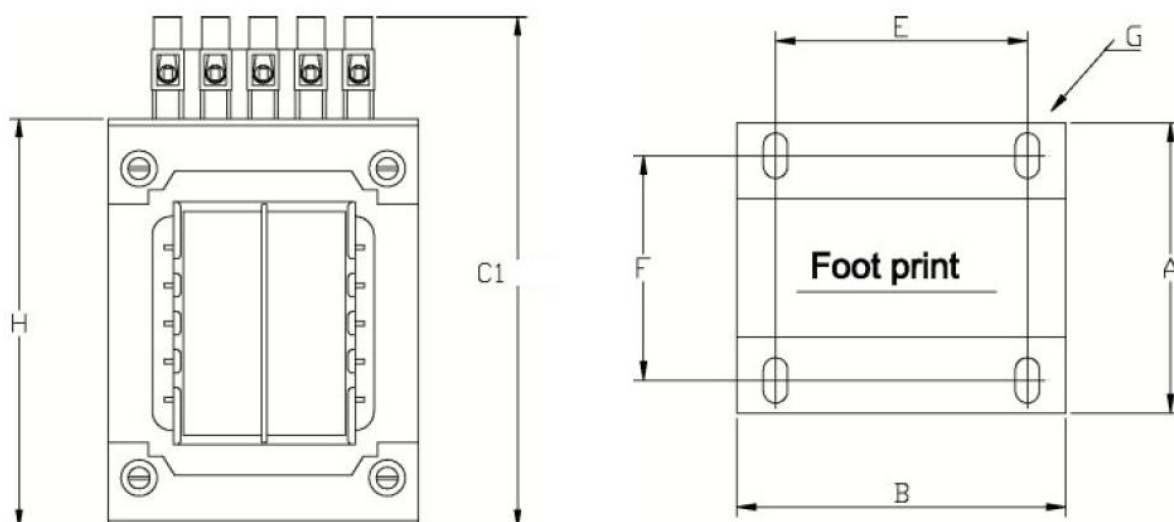
Secondary voltage 1: 24V Power: 200VA Current: 8,33A

Secondary voltage 2: 24V Power: 50VA Current: 2,08A

Norm : EN 61558-2-6

Iron losses (Fe) : 7,2W

Copper losses (Cu) : 12,1W



Dimensions

Type	Dimensions (mm)							Weight (Kg)
	A	B	C1	E	F	G	H	
SUS120A	88	100	150	84	66	5,8x11,0	128	4,3