



**Cox**  
Turbine Flow Meters

## Turbine Flow Meters

Precision Series

### DESCRIPTION

Cox Precision Turbine Flow Meters have unprecedented mechanical linearity, resulting in minimizing, or negating, temperature induced viscosity influence. Cox Precision Turbine Meters come with a variety of process fittings, sizes and options to accommodate the requirements of most applications while offering wide flow ranges.

Features	Benefits
Expanded mechanical linearity	Increased usable flow range with less sensitivity to fluid temperature/viscosity effect on the output.
Helical rotor design	Exceptional speed-of-response, with reduced pressure drop.
Comprehensive pickoff selection	Meets application requirements for temperature and electronic outputs.
High-Performance ceramic ball bearings	Ceramic bearings provide near-perfect roundness, higher Rockwell hardness and are lighter and more tolerant to temperature than 440C stainless steel bearings. They eliminate adhesive wear and perform well in non-lubricating liquids found in cryogenic fluids and water.
6-bladed rotor supports	Improved flow conditioning.
Facility with NIST traceable standards	Third party audits to ensure calibration uncertainty. Laboratory correlation to verify that all calibrators produce the same result.
A variety of end fittings	AN, NPT, hose barb, flange, high pressure, tri-clamp and special fittings to meet specific installation configurations.

### APPLICATIONS

Cox Precision Flow Meters are the ideal solutions for standard and high pressure liquid flow applications in test and measurement and precision industrial processes, found in the automotive, aerospace and general industries.



### CALIBRATIONS

Calibrations are accomplished by using various blends of solvent and oil to simulate actual fluid conditions. For varying process temperature conditions, multiple viscosity calibrations are used to develop a universal viscosity curve. UVC calibrations enable a flow computer to track temperature and compensate for fluid viscosity. Flow Dynamics tailors calibrations to replicate process conditions so the meter is characterized to provide the best attainable accuracy.

Calibrations are performed by our Flow Dynamics NVLAP (Lab Code 200668-0) accredited calibration facility located in Racine WI, which uses primary standard calibrators, offering uncertainties of  $\pm 0.05$  percent of reading with  $\pm 0.02$  percent repeatability. Users can be assured that Cox Precision Meters come with a best-in-class calibration, traceable to NIST standards.



NVLAP accreditation applies only to the Badger Meter Flow Dynamics calibration Lab, located in Racine, WI



**Badger Meter**

CXX-DS-00169-EN-06 (July 2018)

**Product Data Sheet**

## OPERATION AND PERFORMANCE

As a fluid passes through the meter, the velocity of the fluid provides rotational energy on the rotor. The rotor blades, passing through a magnetic or radio frequency field, generate pulses proportional to flow. Each pulse is transmitted to the meter electronics, where it amplifies the pulse output.

Outstanding mechanical linearity, up to 100:1, is achievable, depending on meter size. Paired with a flow processor, meter linearity improves from the standard  $\pm 0.50$  percent to within  $\pm 0.1$  percent of reading over the entire repeatable flow range, while providing fluid temperature viscosity compensation. Temperature effects on the meter bore diameter are compensated for by using thermal expansion coefficients, with Strouhal-Roshko equations, to provide a very accurate and repeatable volumetric flow rate.

## SPECIFICATIONS

<b>Repeatability</b>	$\pm 0.02\%$ of reading	
<b>Linearity</b>	$\pm 0.50\%$ ( $\pm 0.1\%$ with flow processor)	
<b>Calibrator Uncertainty</b>	$\pm 0.05\%$ of reading	
<b>Frequency Output</b>	1200...1500 Hz	
<b>Response Time</b>	2...3 ms (at 1.2 cSt)	
<b>Materials of Construction</b>	Body	316 stainless steel
	Shafts	316 stainless steel
	Rotors	17-4 PH stainless steel
	Bearing	Ceramic

**NOTE:** The flow data below represents two different pickoff types, radio frequency and magnetic. Radio frequency (RF) pickoffs extend the measurable linear flow range by eliminating magnetic induced drag. RF pickoffs require a power input, whereas magnetic pickoffs generate their own power to produce an output signal and typically, have greater tolerance to higher process temperatures.

### U.S. Standard Flow Data

Size	Carrier (RF) Linear Range <sup>2</sup>			Non-Linear Repeatable Range			$\Delta p^1$ at Max. Flow PSIG (g/cm <sup>2</sup> )	Freq. Output at Max. Flow
	gpm (lpm)	lb/hr (kg/hr)	Linear Flow Ratio	gpm (lpm)	lb/hr (kg/hr)	Flow Ratio (Turndown)		
8-4	0.20...3.00 (0.76...11.36)	76...1143 (34.47...518.46)	15:1	0.05...3.00 (0.19...11.36)	19...1143 (8.62...518.46)	60:1	6.5 (0.46)	1500 Hz
8-6	0.30...6.00 (1.14...22.71)	114...2286 (51.71...1036.91)	20:1	0.06...6.00 (0.23...22.71)	22.8...2286 (10.34...1036.91)	100:1	8.5 (0.60)	
8	0.40...9.50 (1.51...35.96)	152...3619 (68.95...1641.55)	24:1	0.09...9.50 (0.34...35.96)	34.3...3619 (15.56...1641.55)		8.5 (0.60)	
10	0.50...15.5 (1.89...58.67)	190...5905 (86.18...2678.46)	30:1	0.16...15.5 (0.61...58.67)	60.9...5905 (27.62...2678.46)		9.0 (0.63)	
12	1.00...30.0 (3.78...113.56)	381...11,430 (172.82...5184.56)	30:1	0.30...30.0 (1.13...113.56)	114...11,430 (51.71...5184.56)	150:1	9.0 (0.63)	
16	1.60...65.0 (6.06...246.05)	610...24,765 (276.69...11,233.2)	40:1	0.45...65.0 (1.70...246.05)	171...24,765 (77.67...11,233.2)		9.0 (0.63)	
20	1.90...95.0 (7.19...359.61)	724...36,195 (328.40...16,417.7)	50:1	0.65...95.0 (2.46...359.61)	247...36,195 (112.04...16,417.7)		8.5 (0.60)	
24	2.60...155 (9.84...586.74)	990...59,055 (449.06...26,786.9)	60:1	1.05...155 (3.97...586.74)	400...59,055 (181.44...26,786.9)	150:1	9.0 (0.60)	
32	3.10...310 (11.73...1,173.48)	1181...118,110 (535.69...53,573.7)	100:1	2.10...310 (7.95...1173.48)	800...118,110 (362.87...53,573.7)		9.0 (0.63)	

1. Pressure drop is based on using MIL-PRF-17024E, Type II at 77° F, with a specific gravity of 0.77.

2. Linear flow range was developed using 1.2 centistokes.

Size	Magnetic 10:1 Linear Range			K-Factor Pulses/Gallon <sup>3</sup> (Liter <sup>3</sup> )	Extended Range – Linear <sup>2</sup>			Freq. at Min./Max. Output (Hz)
	gpm (lpm)	lb/hr (kg/hr)	$\Delta p^1$ at 10:1 PSID (kg/cm <sup>2</sup> )		gpm (lpm)	lb/hr (kg/hr)	Flow Ratio (Turndown)	
8-4	0.25...2.50 (0.95...9.46)	95...952 (43.09...431.82)	3.5 (0.25)	28,800 (7610)	0.25...3.00 (0.95...11.36)	95...1143 (43.09...518.46)	12:1	120/1440
8-6	0.50...5.00 (1.89...18.93)	190...1905 (86.18...864.10)	4.5 (0.32)	14,400 (3805)	0.50...6.00 (1.89...22.71)	190...2286 (86.18...1036.91)	12:1	120/1440

8	0.75...7.50 (2.84...28.39)	285...2857 (129.27...1295.91)	6.0 (0.42)	9600 (2536)	0.60...9.00 (2.27...34.07)	229...3429 (103.87...1555.37)	15:1	96/1440
10	1.25...12.5 (4.73...47.32)	476...4762 (215.91...2160.01)	5.0 (0.35)	5760 (1522)	1.00...15.0 (3.79...56.78)	381...5715 (172.82...2592.28)	15:1	96/1440
12	2.50...25.0 (9.46...94.74)	952...9525 (431.82...4320.47)	5.0 (0.35)	2800 (761)	1.50...30.0 (5.68...113.56)	571...11,430 (259.01...5184.56)	20:1	72/1440
16	5.00...50.0 (18.93...189.27)	1905...19,050 (864.09...8640.93)	5.0 (0.35)	1440 (380)	2.50...60.0 (9.46...227.13)	953...22,860 (432.27...10,369.1)	24:1	60/1440
20	7.50...75.0 (28.39...283.91)	2857...28,575 (1295.91...12,961.4)	5.5 (0.39)	960 (254)	3.00...90.0 (11.36...340.69)	1143...34,290 (518.46...15,553.6)	30:1	48/1440
24	12.5...125 (47.32...473.18)	4762...47,625 (2160.01...21,602.3)	6.0 (0.42)	576 (152)	5.00...150 (18.93...567.81)	1905...57,150 (864.09...25,922.8)	30:1	48/1440
32	25.0...250 (94.64...946.35)	9525...95,250 (4320.47...43,204.6)	6.5 (0.46)	288 (76)	6.20...300 (23.47...1135.62)	2362...114,300 (1071.39...51,845.6)	48:1	30/1440

1. Pressure drop is based on using MIL-PRF-17024E, Type II at 77° F, with a specific gravity of 0.77.
2. Extended range is linear, with liquids up to 1.5 centistokes. Over 2.0 centistokes, output becomes non-linear but repeatable.
3. K-factor varies slightly from meter to meter.

**Pressure Ratings for AN End Fittings**

Size	Pipe Size	Meter Body: 316 Stainless Steel					
		100° F		300° F		500° F	
		bar	psig	bar	psig	bar	psig
8-4	0.25 in. (6.35 mm)	367	5330	299	4340	231	3350
8-6	0.37 in. (9.52 mm)	317	4600	245	3550	172	2500
8	0.50 in. (12.7 mm)	483	7000	388	5625	293	4250
10	0.62 in. (15.87 mm)	390	5660	319	4630	248	3600
12	0.75 in. (19.05 mm)	317	4600	245	3550	172	2500
16	1.00 in. (25.4 mm)	248	3600	193	2800	138	2000
20	1.25 in. (31.75 mm)	190	2760	157	2280	124	1800
24	1.50 in. (38.1 mm)	168	2430	135	1965	103	1500
32	2.00 in. (50.8 mm)	121	1760	97	1405	72	1050

**Pressure Ratings for HP End Fittings**

Size	Continuous		Proof		Burst	
	psig	bar	psig	bar	psig	bar
All sizes	5000	345	7500	517	25,000	1724

**Pressure Ratings for NPT End Fittings**

Size	ISO/NPT Pipe Size in. (mm)	Female (Mating Thread)	
		bar	psig
8-4	0.25 in. (6.35 mm)	408	5922
8-6	0.37 in. (9.52 mm)	324	4700
8	0.50 in. (12.7mm)	305	4418
10	0.75 in. (19.05 mm)	285	4136
12	0.75 in. (19.05 mm)	285	4136
16	1.00 in. (25.4 mm)	278	4042
20	1.25 in. (31.75 mm)	324	4700
24	1.50 in. (38.1 mm)	291	4230
32	2.00 in. (50.8 mm)	253	3666

**NOTES:**

1. Pressure ratings listed are for temperatures up to 100° F (37.8° C).
2. Pressure rating is calculated with an allowable stress value of 20,000 psi for 316 SS per pressure piping code ASME B31.3.
3. Chart is displaying safe working pressure, in accordance with power piping code ASME B31.1.

**NOTE:** It is recommended that the flow meter have "AN" end fittings and that the "NPT" transition be done on the far ends of the flow straighteners. This avoids a step in the flow stream next to the flow meter and produces an improved flow profile. If the NPT end fittings were selected for their high pressure rating, then the step is unavoidable and the calibration will account for the distorted profile.

**Pressure Ratings for Flange End Fittings (in accordance with ASME B16.5 Standards)**

ANSI Flange	PSIG	Bar
150#	275	19
300#	720	50
600#	1440	99
900#	2160	149
1500#	3600	248
2500#	6000	414

**NOTES:**

1. Specifications from maximum non-shock allowable working pressure in psig at 100° F (37.8° C) or less.
2. Stainless steel 316A-181 material.

**Pressure Ratings for Tri-Clamp End Fittings**

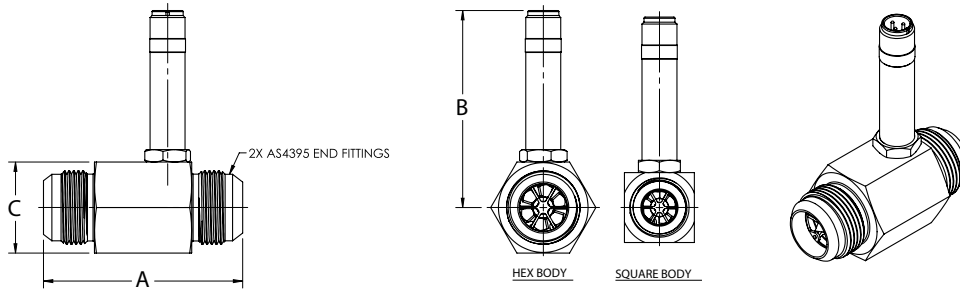
Size	Pipe Size in. (mm)	Meter Body: 316 Stainless Steel	
		bar	psig
8-4	0.25 (6.35)	153	2220
8-6	0.37 (9.52)	153	2220
8	0.50 (12.7)	153	2220
10	0.62 (15.87)	41	600
12	0.75 (19.05)	41	600
16	1.00 (25.4)	41	600
20	1.25 (31.75)	41	600
24	1.50 (38.1)	41	600
32	2.00 (50.8)	38	550

**NOTE:** Specifications in this table are based on a Tri-Clover® clamp 13MHHS, with Buna-N material gaskets at a fluid temperature of 70° F (21.1° C). Other style clamps may produce different pressure ratings.

## DIMENSIONS

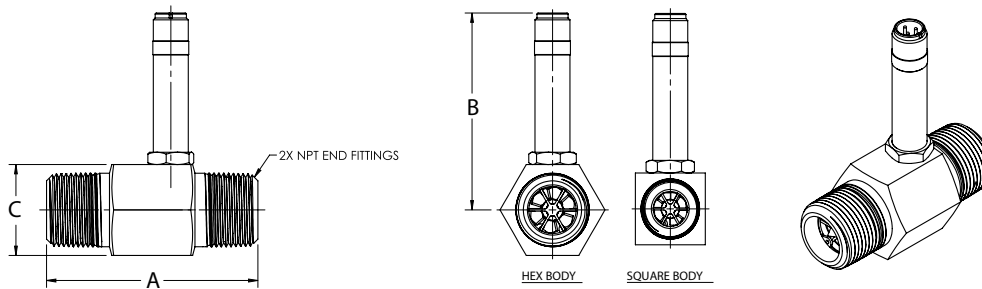
Dimension B specifies the most common pickup type. Actual size may vary depending on pickup choice. Consult the factory for details.

### AN End Fitting



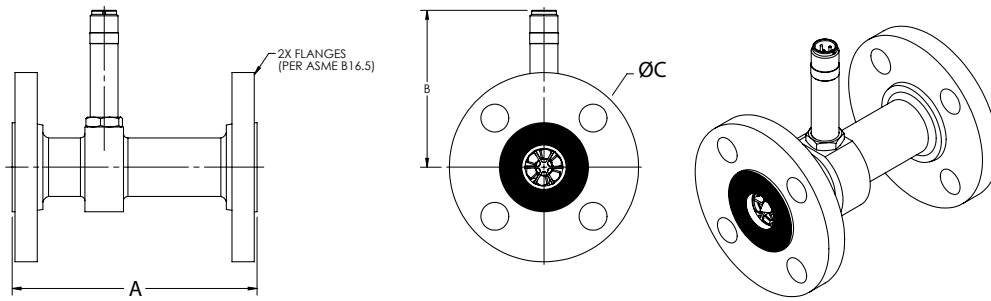
Size	End Fitting	A	B (RF)	B (MAG)	C
8-4	0.50 in. (12.70 mm)	2.45 in. (62.23 mm)	3.20 in. (81.28 mm)	2.70 in. (68.58 mm)	1.12 in. (28.45 mm) Square Body
8-6	0.50 in. (12.70 mm)	2.45 in. (62.23 mm)	3.20 in. (81.28 mm)	2.70 in. (68.58 mm)	1.12 in. (28.45 mm) Square Body
8	0.50 in. (12.70 mm)	2.45 in. (62.23 mm)	3.30 in. (83.82 mm)	2.80 in. (71.12 mm)	1.12 in. (28.45 mm) Square Body
10	0.625 in. (15.88 mm)	2.72 in. (69.08 mm)	3.30 in. (83.82 mm)	2.80 in. (71.12 mm)	1.25 in. (31.75 mm) Square Body
12	0.75 in. (19.05 mm)	3.25 in. (82.55 mm)	3.40 in. (86.36 mm)	2.90 in. (73.66 mm)	1.25 in. (31.75 mm) Square Body
16	1.00 in. (25.40 mm)	3.56 in. (90.42 mm)	3.50 in. (88.90 mm)	3.00 in. (76.20 mm)	1.63 in. (41.40 mm) Hex Body
20	1.25 in. (31.75 mm)	4.06 in. (103.1 mm)	3.60 in. (91.44 mm)	3.10 in. (78.74 mm)	1.88 in. (47.75 mm) Hex Body
24	1.50 in. (38.10 mm)	4.59 in. (116.6 mm)	3.80 in. (96.52 mm)	3.30 in. (83.82 mm)	2.25 in. (57.15 mm) Hex Body
32	2.00 in. (50.80 mm)	6.06 in. (153.9 mm)	4.00 in. (101.6 mm)	3.50 in. (88.90 mm)	2.75 in. (69.85 mm) Hex Body

### NPT End Fitting



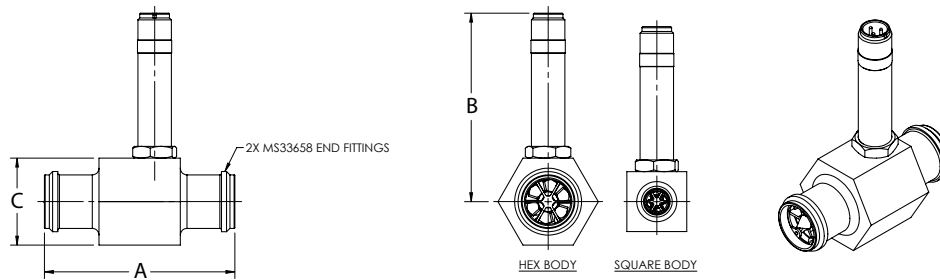
Size	End Fitting	A	B (RF)	B (MAG)	C
8-4	0.50 in. (12.70 mm)	2.70 in. (68.58 mm)	3.20 in. (81.28 mm)	2.70 in. (68.58 mm)	1.12 in. (28.45 mm) Square Body
8-6	0.50 in. (12.70 mm)	2.70 in. (68.58 mm)	3.20 in. (81.28 mm)	2.70 in. (68.58 mm)	1.12 in. (28.45 mm) Square Body
8	0.50 in. (12.70 mm)	2.70 in. (68.58 mm)	3.30 in. (83.82 mm)	2.80 in. (71.12 mm)	1.12 in. (28.45 mm) Square Body
10	0.75 in. (19.05 mm)	3.29 in. (83.57 mm)	3.30 in. (83.82 mm)	2.80 in. (71.12 mm)	1.25 in. (31.75 mm) Square Body
12	0.75 in. (19.05 mm)	3.29 in. (83.57 mm)	3.40 in. (86.36 mm)	2.90 in. (73.66 mm)	1.25 in. (31.75 mm) Square Body
16	1.00 in. (25.40 mm)	3.78 in. (96.01 mm)	3.50 in. (88.90 mm)	3.00 in. (76.20 mm)	1.63 in. (41.40 mm) Hex Body
20	1.25 in. (31.75 mm)	4.23 in. (107.4 mm)	3.60 in. (91.44 mm)	3.10 in. (78.74 mm)	1.88 in. (47.75 mm) Hex Body
24	1.50 in. (38.10 mm)	4.67 in. (118.6 mm)	3.80 in. (96.52 mm)	3.30 in. (83.82 mm)	2.25 in. (57.15 mm) Hex Body
32	2.00 in. (50.80 mm)	5.89 in. (149.6 mm)	4.00 in. (101.6 mm)	3.50 in. (88.90 mm)	2.75 in. (69.85 mm) Hex Body

### Flange End Fitting



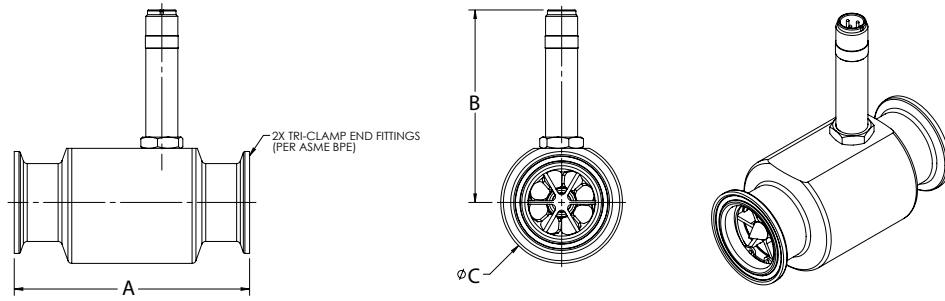
Size	A	B (RF)	B (MAG)	C—150# Flange	C—300# Flange	C—600# Flange
8-4	5.00 in. (127.0 mm)	3.20 in. (81.28 mm)	2.70 in. (68.58 mm)	3.50 in. (89 mm)	3.75 in. (95 mm)	3.75 in. (95 mm)
8-6	5.00 in. (127.0 mm)	3.20 in. (81.28 mm)	2.70 in. (68.58 mm)	3.50 in. (89 mm)	3.75 in. (95 mm)	3.75 in. (95 mm)
8	5.00 in. (127.0 mm)	3.30 in. (83.82 mm)	2.80 in. (71.12 mm)	3.50 in. (89 mm)	3.75 in. (95 mm)	3.75 in. (95 mm)
10	5.50 in. (139.7 mm)	3.30 in. (83.82 mm)	2.80 in. (71.12 mm)	3.50 in. (89 mm)	3.75 in. (95 mm)	3.75 in. (95 mm)
12	5.50 in. (139.7 mm)	3.40 in. (86.36 mm)	2.90 in. (73.66 mm)	3.88 in. (99 mm)	4.62 in. (117 mm)	4.62 in. (117 mm)
16	5.50 in. (139.7 mm)	3.50 in. (88.90 mm)	3.00 in. (76.20 mm)	4.25 in. (108 mm)	4.88 in. (124 mm)	4.88 in. (124 mm)
20	6.00 in. (152.4 mm)	3.60 in. (91.44 mm)	3.10 in. (78.74 mm)	4.62 in. (117 mm)	5.25 in. (133 mm)	5.25 in. (133 mm)
24	6.00 in. (152.4 mm)	3.80 in. (96.52 mm)	3.30 in. (83.82 mm)	5.00 in. (127 mm)	6.12 in. (155 mm)	6.12 in. (155 mm)
32	6.50 in. (165.1 mm)	4.00 in. (101.6 mm)	3.50 in. (88.90 mm)	6.00 in. (152 mm)	6.50 in. (165 mm)	6.50 in. (165 mm)

### Hose Barb End Fitting



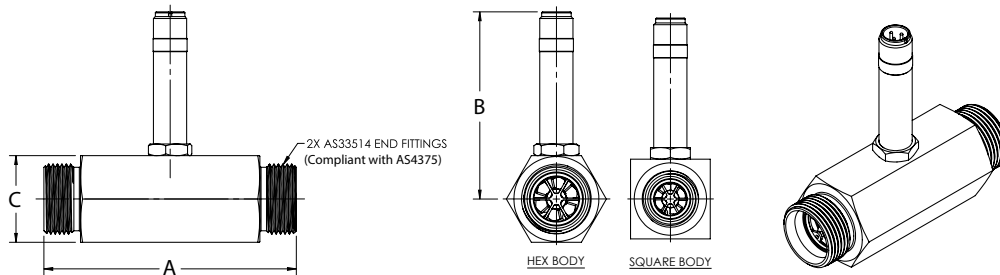
Size	End Fitting	A	B (RF)	B (MAG)	C
8-4	0.50 in. (12.70 mm)	3.18 in. (80.77 mm)	3.20 in. (81.28 mm)	2.70 in. (68.58 mm)	1.12 in. (28.45 mm) Square body
8-6	0.50 in. (12.70 mm)	3.18 in. (80.77 mm)	3.20 in. (81.28 mm)	2.70 in. (68.58 mm)	1.12 in. (28.45 mm) Square body
8	0.50 in. (12.70 mm)	3.18 in. (80.77 mm)	3.30 in. (83.82 mm)	2.80 in. (71.12 mm)	1.12 in. (28.45 mm) Square body
10	0.625 in. (15.88 mm)	3.24 in. (82.30 mm)	3.30 in. (83.82 mm)	2.80 in. (71.12 mm)	1.25 in. (31.75 mm) Hex body
12	0.75 in. (19.05 mm)	3.25 in. (82.55 mm)	3.40 in. (86.36 mm)	2.90 in. (73.66 mm)	1.25 in. (31.75 mm) Hex body
16	1.00 in. (25.40 mm)	3.56 in. (90.42 mm)	3.50 in. (88.90 mm)	3.00 in. (76.20 mm)	1.63 in. (41.40 mm) Hex body
20	1.25 in. (31.75 mm)	4.50 in. (114.3 mm)	3.60 in. (91.44 mm)	3.10 in. (78.74 mm)	1.88 in. (47.75 mm) Hex body
24	1.50 in. (38.10 mm)	5.00 in. (127.0 mm)	3.80 in. (96.52 mm)	3.30 in. (83.82 mm)	2.25 in. (57.15 mm) Hex body
32	2.00 in. (50.80 mm)	6.50 in. (165.1 mm)	4.00 in. (101.6 mm)	3.50 in. (88.90 mm)	2.75 in. (69.85 mm) Hex body

### Tri-Clamp End Fitting



Size	End Fitting	A	B (RF)	B (MAG)	C	Clamp Size
8-4	0.50 in. (12.70 mm)	3.56 in. (90.42 mm)	3.20 in. (81.28 mm)	2.70 in. (68.58 mm)	1.50 in. (38.10 mm)	0.75 in. (19.05 mm)
8-6	0.50 in. (12.70 mm)	3.56 in. (90.42 mm)	3.20 in. (81.28 mm)	2.70 in. (68.58 mm)	1.50 in. (38.10 mm)	
8	0.50 in. (12.70 mm)	3.56 in. (90.42 mm)	3.30 in. (83.82 mm)	2.80 in. (71.12 mm)	1.50 in. (38.10 mm)	1.50 in. (38.10 mm)
10	1.25 in. (31.75 mm)	3.56 in. (90.42 mm)	3.30 in. (83.82 mm)	2.80 in. (71.12 mm)	1.77 in. (44.96 mm)	
12	1.25 in. (31.75 mm)	3.56 in. (90.42 mm)	3.40 in. (86.36 mm)	2.90 in. (73.66 mm)	1.77 in. (44.96 mm)	
16	1.50 in. (31.80 mm)	3.56 in. (90.42 mm)	3.50 in. (88.90 mm)	3.00 in. (76.20 mm)	1.99 in. (50.55 mm)	
20	1.50 in. (31.80 mm)	4.59 in. (116.6 mm)	3.60 in. (91.44 mm)	3.10 in. (78.74 mm)	2.17 in. (55.12 mm)	
24	1.50 in. (31.80 mm)	4.59 in. (116.6 mm)	3.80 in. (96.52 mm)	3.30 in. (83.82 mm)	2.38 in. (60.45 mm)	2.00 in. (50.80 mm)
32	2.00 in. (50.80 mm)	6.06 in. (153.9 mm)	4.00 in. (101.6 mm)	3.50 in. (88.90 mm)	3.18 in. (80.77 mm)	

### High Pressure End Fitting



Size	End Fitting	A	B (RF)	B (MAG)	C
8-4	0.50 in. (12.70 mm)	3.25 in. (82.55 mm)	3.20 in. (81.28 mm)	2.70 in. (68.58 mm)	1.12 in. (28.45 mm) Square body
8-6	0.50 in. (12.70 mm)	3.25 in. (82.55 mm)	3.20 in. (81.28 mm)	2.70 in. (68.58 mm)	1.12 in. (28.45 mm) Square body
8	0.50 in. (12.70 mm)	3.50 in. (88.90 mm)	3.30 in. (83.82 mm)	2.80 in. (71.12 mm)	1.12 in. (28.45 mm) Square body
10	0.625 in. (15.88 mm)	4.00 in. (101.6 mm)	3.30 in. (83.82 mm)	2.80 in. (71.12 mm)	1.25 in. (31.75 mm) Square body
12	0.75 in. (19.05 mm)	4.50 in. (114.3 mm)	3.40 in. (86.36 mm)	2.90 in. (73.66 mm)	1.50 in. (38.10 mm) Square body
16	1.00 in. (25.40 mm)	4.75 in. (120.7 mm)	3.50 in. (88.90 mm)	3.00 in. (76.20 mm)	1.63 in. (41.40 mm) Hex body
20	1.25 in. (31.75 mm)	5.50 in. (139.7 mm)	3.60 in. (91.44 mm)	3.10 in. (78.74 mm)	1.88 in. (47.75 mm) Hex body
24	1.50 in. (38.10 mm)	6.00 in. (152.4 mm)	3.80 in. (96.52 mm)	3.30 in. (83.82 mm)	2.25 in. (57.15 mm) Hex body
32	2.00 in. (50.80 mm)	7.00 in. (177.8 mm)	4.00 in. (101.6 mm)	3.50 in. (88.90 mm)	2.75 in. (69.85 mm) Hex body

## METER MODEL NUMBER

Cox Precision Turbine Flow Meters		[ ] - [ ] - [ ] - [ ] - [ ]			
<b>Model</b>	Precision Turbine	CPT			
<b>Meter Size</b>					
8-4 (1/2" End Fitting, 1/4" Bore)		84			
8-6 (1/2" End Fitting, 3/8" Bore)		86			
8 (1/2" End Fitting, 1/2" Bore)		08			
10 (5/8" End Fitting)		10			
12 (3/4" End Fitting)		12			
16 (1" End Fitting)		16			
20 (1-1/4" End Fitting)		20			
24 (1-1/2" End Fitting)		24			
32 (2" End Fitting)		32			
<b>End Fitting Type</b>					
37° MS Flare			AN		
National Pipe Thread			NP		
High Pressure			HP		
Hose Barb			HB		
Tri-Clamp			TC		
150# ANSI Raised Face Flange			F1		
300# ANSI Raised Face Flange			F2		
600# ANSI Raised Face Flange			F3		
<b>Bearing</b>	Hybrid Ceramic Ball Bearing, Water/Hydrocarbon Service			C	
<b>Pickoff</b>					
RF   2-Pin MS   -250...400° F					C01
RF   2-FL   -250...400° F					C02
RF   FL   -330...450° F   RTD					C03
RF   3-Pin MS   -40...185° F   Signal Conditioner, IS					C04
RF   3-Pin MS   -40...185° F   Amp, ATEX, IS					C05
RF   3-Pin MS   -40...248° F   Amp					C06
RF   6-Pin MS   -49...284° F   Amp, RTD					C07
RF   6-Pin Micro DIN   -49...284° F   Amp, RTD					C08
RF   3-FL   -40...248° F   Amp					C09
MAG   2-Pin MS   -450...450° F   Sizes 8-4 and 8-6   45-55 G					M01
MAG   2-Pin MS   -450...450° F   Size 8...32   140-150 G					M02
<b>Specials</b>					
3-Digit Special Code (Leave blank for non-custom orders.)					XXX

**NOTE:** Higher flange ratings and other end fitting types can be provided. Consult the factory for pricing and delivery estimates.

## Control. Manage. Optimize.

COX INSTRUMENTS is a registered trademark of Badger Meter, Inc. Other trademarks appearing in this document are the property of their respective entities. Due to continuous research, product improvements and enhancements, Badger Meter reserves the right to change product or system specifications without notice, except to the extent an outstanding contractual obligation exists. © 2018 Badger Meter, Inc. All rights reserved.

[www.badgermeter.com](http://www.badgermeter.com)

The Americas | Badger Meter | 4545 West Brown Deer Rd | PO Box 245036 | Milwaukee, WI 53224-9536 | 800-876-3837 | 414-355-0400  
 México | Badger Meter de las Americas, S.A. de C.V. | Pedro Luis Ogazón N°32 | Esq. Angelina N°24 | Colonia Guadalupe Inn | CP 01050 | México, DF | México | +52-55-5662-0882  
 Europe, Eastern Europe Branch Office (for Poland, Latvia, Lithuania, Estonia, Ukraine, Belarus) | Badger Meter Europe | ul. Korfantego 6 | 44-193 Knurów | Poland | +48-32-236-8787  
 Europe, Middle East and Africa | Badger Meter Europa GmbH | Nurtinger Str 76 | 72639 Neuffen | Germany | +49-7025-9208-0  
 Europe, Middle East Branch Office | Badger Meter Europe | PO Box 341442 | Dubai Silicon Oasis, Head Quarter Building, Wing C, Office #C209 | Dubai / UAE | +971-4-371 2503  
 Slovakia | Badger Meter Slovakia s.r.o. | Racianska 109/B | 831 02 Bratislava, Slovakia | +421-2-44 63 83 01  
 Asia Pacific | Badger Meter | 80 Marine Parade Rd | 21-06 Parkway Parade | Singapore 449269 | +65-63464836  
 China | Badger Meter | 7-1202 | 99 Hangzhong Road | Minhang District | Shanghai | China 201101 | +86-21-5763 5412  
 Switzerland | Badger Meter Swiss AG | Mittelholzerstrasse 8 | 3006 Bern | Switzerland | +41-31-932 01 11