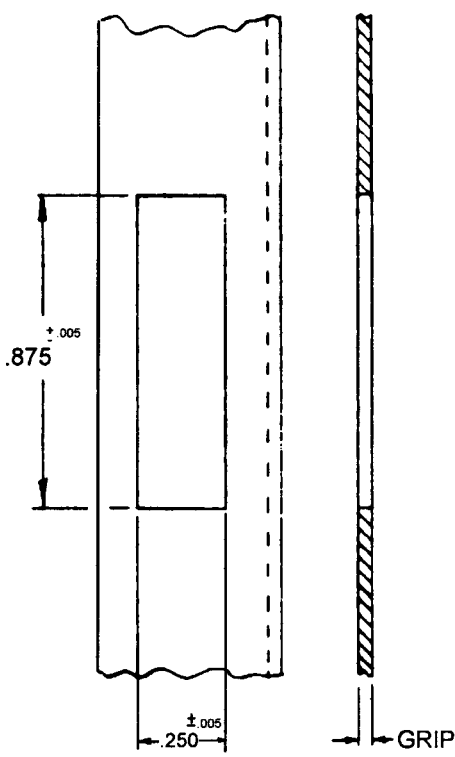




SOUTHCO No. 2 MAGNETIC LATCH

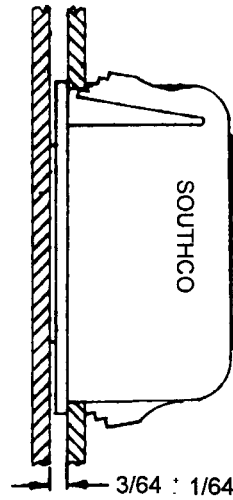
DATE	DRAWN	CHKD	SCALE	DRAWING NUMBER
10-21-70	W.B.R.	W.B.R.	N.T.S.	J-02-10-30-10

REV. LET.	DATE	BY-CHK	REVISIONS	LATCH PART No.	GRIP	"A"	C				
N	29OCT97	SWD	PRN: 02-101 A	02-10-301-10	.020-.080	.035	1.10				
				02-10-302-10	.080-.140	.095	1.05				



INSTALLATION - MAGNETIC DOORS

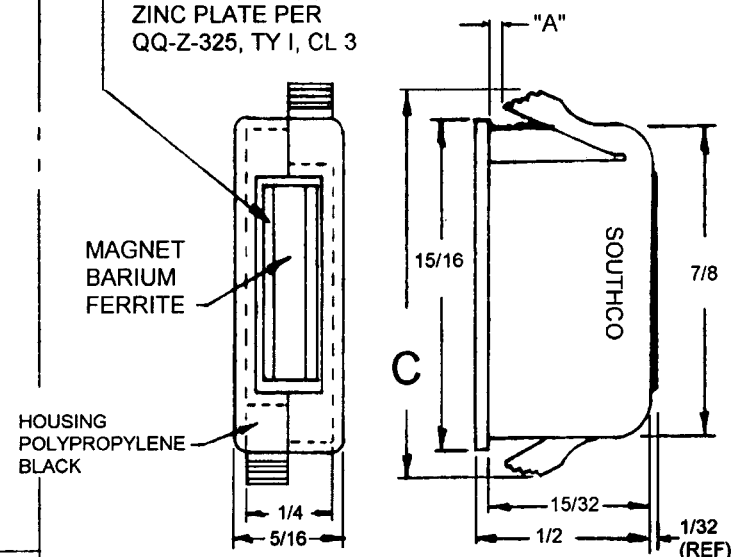
SNAP LATCH INTO HOLE IN FRAME & CLOSE DOOR



POLE PIECES (2) - 1010 STEEL
ZINC PLATE PER
QQ-Z-325, TY I, CL 3

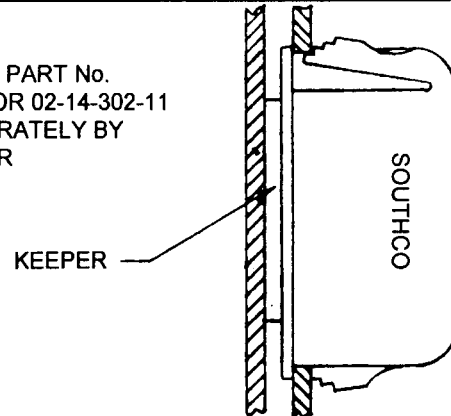
MAGNET
BARIUM
FERRITE

HOUSING
POLYPROPYLENE
BLACK



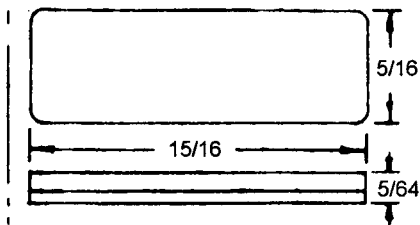
INSTALLATION - NON MAGNETIC DOORS

USE KEEPER, PART No.
02-14-301-14 OR 02-14-302-11
ORDER SEPARATELY BY
PART NUMBER



KEEPER - ADHESIVE BACKED

PART No. 02-14-301-14
MATL: 1010 STEEL
FINISH: ZINC PLATE PER ASTM: B633 TY. 1



REMOVE PROTECTIVE PAPER,
POSITION KEEPER ON FACE OF
INSTALLED LATCH, AND CLOSE
DOOR AGAINST ADHESIVE SURFACE
OF KEEPER.

NOTE: MAKE SURE SURFACE OF
DOOR IS CLEAN AND CAPABLE OF
RETAINING A SATISFACTORY
ADHESIVE BOND.

PROPRIETARY ITEM - EXCEPT FOR USES EXPRESSLY GRANTED IN WRITING,
INFORMATION DISCLOSED HEREON IS CONFIDENTIAL AND ALL RIGHTS,
PATENT AND OTHERWISE, ARE RESERVED BY SOUTHCO, INC.

TOLERANCE UNLESS OTHERWISE NOTED
DECIMALS ± — FRACTIONS ± — ANGLES ± —

DRAWING NUMBER

J-02-10-30-10