

8040/11-V30-033-B Art. No. 245655



- Available as 2 pole OFF switch or changeover switch
- Enclosure made of optical fibre reinforced polyester resin
- Degree of protection IP66 according to IEC/EN 60529
- Clear position indicator 0/1 or ON/OFF

WebCode 8040F



The installation switches Series 8040/11-V30 are used for lighting installations. The switch position is shown unambiguously by the 90° position. This is especially convenient if lights and switch are in different rooms. The fluorescent turning handle can be useful in the case of a power failure.

Technical Data

Explosion Protection

Application range (zones)	1 2 21 22
IECEX gas certificate	IECEX PTB 06.0025
ATEX gas certificate	PTB 01 ATEX 1105
IECEX dust certificate	IECEX PTB 06.0025
ATEX dust certificate	PTB 01 ATEX 1105
Gas explosion protection IECEX	Ex db eb IIC T6 Gb
Gas explosion protection ATEX	⊕ II 2 G Ex db eb IIC T6 Gb
Dust explosion protection IECEX	Ex tb IIIC T80 °C Db
Dust explosion protection ATEX	⊕ II 2 D Ex tb IIIC T80 °C Db
Certificates	ATEX (PTB), Brazil (ULB), China (CQST), EAC (LPE), IECEX (PTB), India (PESO), Korea (KGS), Taiwan (ITRI)
Ship approval	GL

Electrical Data

Rated operational voltage AC	690 V
Rated operational voltage DC	220 V
Rated operational current	16 A
No. of poles	2

Ambient Conditions

Ambient temperature	-20 °C ... +60 °C
---------------------	-------------------

Mechanical Data

Version	Off switch
Degree of protection (IP)	IP66
Degree of protection note	according to IEC/EN 60529
Enclosure material	Polyester, Glass fibre reinforced
Sealing material	NBR

8040/11-V30-033-B Art. No. 245655

Mechanical Data

Contact material	Silver-nickel
Silicone-free	Yes
Connection terminals min.	1.5 mm ²
Connection terminals solid max.	4 mm ²
Connection terminals finely-stranded max.	2.5 mm ²
Service life, min.	100 operating cycles
Weight	0.6 kg

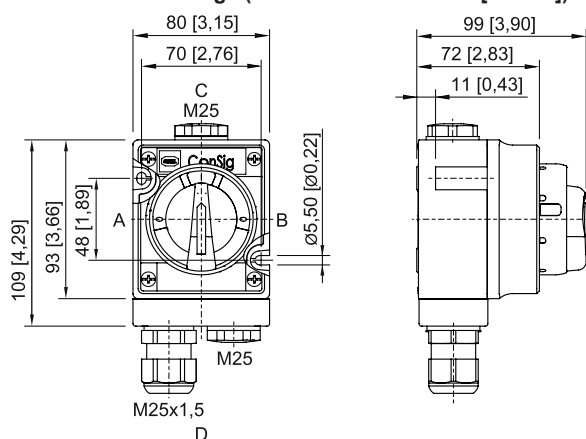
Mounting / Installation

Tightening torque	1.8 Nm
-------------------	--------


Components

Screw connections	1 x M25 Ø 7 to 17 mm
Stopping plug	2 x M25 x 1.5

Dimensional Drawings (All Dimensions in mm [inches]) – Subject to Alterations



Accessories and Spare Parts

Switch		Art. No.
	Off switch	128441

We reserve the right to make alterations to the technical data, dimensions, weights, designs and products available without notice. The illustrations cannot be considered binding.