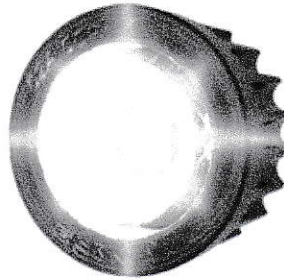
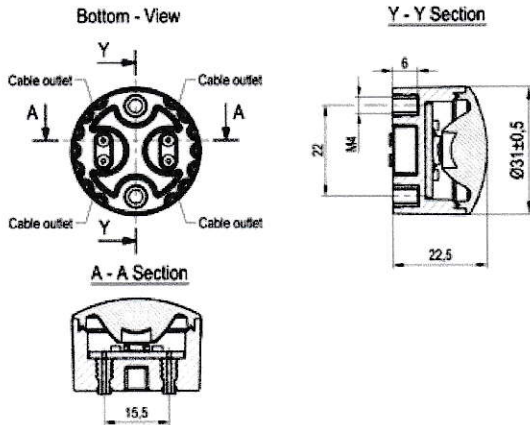


DRL Series "Daytime Running Light"



DRL BODY



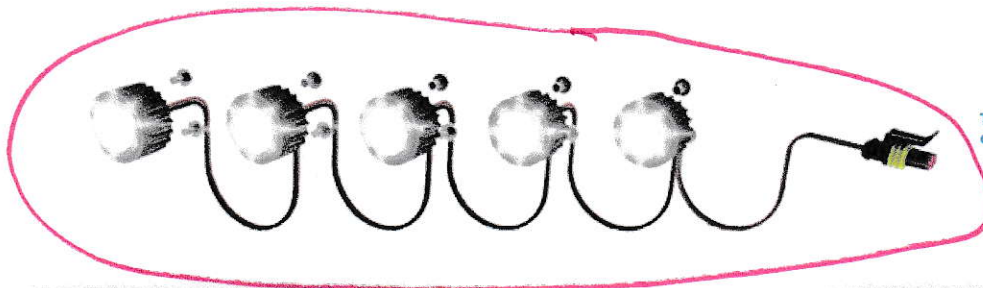
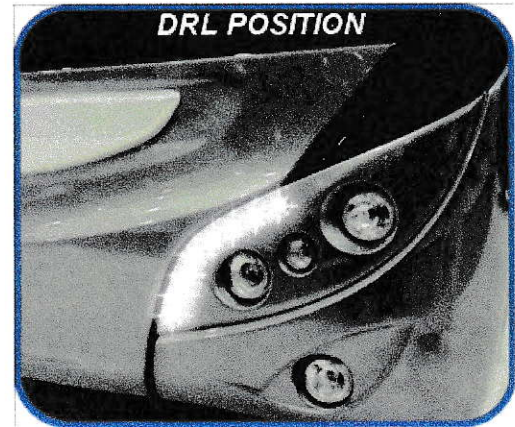
DRL (Daytime Running Light)

Daytime Running Lights (DRL) increase vehicle's visibility for safer driving. They are compliant with existing DRL regulation and will be a mandatory function on all new car models from 2011. Many European and Scandinavian countries have already implemented compulsory Daytime Running Lights (DRL) and experienced significant accident reduction.

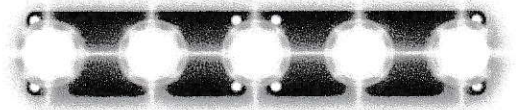
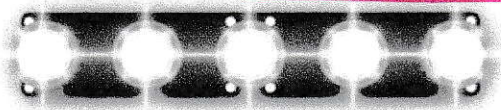
Light Source(s)	LED Combination	Voltage (DC)	Nominal POWER	Visibility
Daylight running light	5 ... 8	9V ... 32V	7W	1000cd
Front position / Park light	5 ... 8	9V ... 32V	0,7W	100cd

Technical Features:

- Powered by new generation high power OSRAM GOLDEN DRAGON PLUS series LEDs
- 24 hours visibility (night & day)
- Automatic switch ON (Light's turn on automatically at engine start)
- When the park light ON day light running light (DRL) automatically became dimmer position.
- Fits most car, bus, truck models
- Optimized energy consumption
- Waterproof (IP67)



The failure of one LEDs compensated by upper current supply



Caution!

Daytime Running Lights

- are not a substitute for low beam at dawn/dusk or during darkness.
- They shine only when the vehicle lighting is switched off and the ignition is switched on.
- They switch off automatically when switching on the vehicle lighting.
- are approved in accordance with ECE R87
- maybe fitted in accordance with EC directive EC R97/28 and ECE R48.