

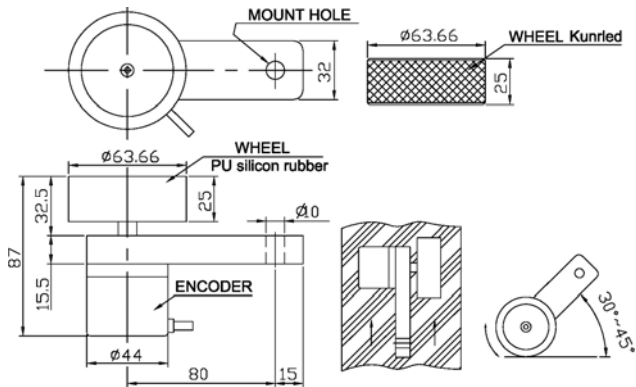
HTR-MW

ROTARY ENCODER METER WHEEL



- Meter Wheel
- Rubber Wheel, Metal Knurled Wheel
- Push Pull, Line Driver
- DC 5~26V

DIMENSION



ORDERING INFORMATION

HTR-MW

Wheel Type 輪子種類	Resolution 解析	Electronics 電路特性
K: Metal Knurled B: Rubber	*100, 10, 5, 2, 1, 0.5, 0.2, 0.1 mm/pulse	P: Push Pull *H: Line Driver

*only with AB phase

ELECTRICAL SPEC.

Detection System	Incremental 增量型
Output Wave 輸出波形	Square Wave 方波
Standard Resolution 解析	*100, 10, 5, 2, 1, 0.5, 0.2, 0.1 mm/pulse
Output Phase 輸出相	ABZ phase
Electronics 電路特性	Push Pull 推挽式, Line Driver 差動式
Power Supply 供應電源	DC 5~26V
Current Consumption 消耗電流	≤ 60 mA
Output Capacity 輸出容量	Sync. Current: 20 mA, Residual Voltage: 0.5V or less
Max. Response 最大響應頻率	10K ~ 150K Hz
Phase Different 相位差	A, B phase different 90°±45° (T/4±T/8), Z phase T±T/8
Wave Form Rise / Fall 波形上下時間	1 μs or less
Polarity 極性保護	Against Reverse Protection

MECHANICAL SPEC.

Type of wheel 輪子種類	Metal Knurled 金屬壓花輪 / Rubber 橡膠
Wheel Circle Length 輪周長	200 mm +/- 0.1%
Max. Speed	5 m / sec.
Vibration 震動	10g (10±1,500 Hz)
Shock 衝擊	20g per 11 ms
Cable 電線	Ø4.5, 1000 mm long
Weight 重量	≤ 500g

ENVIRONMENTAL SPEC.

Operating Temp. / Humidity 操作溫度/濕度	0°C ~ 60°C, RH 35% ~ 90% (No Condensation)
Storage Temp. 儲存溫度	-20°C ~ 70°C
Protection 保護等級	IP50: Dust Proof