

homogenizer gauges DS 4" (100mm)



Autorization NO. 1599



PED 2014/68/EU

These instruments are designed for homogenizer machines and are built according to standard n. 74-06 of 3-A organization (Sanitary Standards Symbol Administrative Council). The absence of interstices and the mirror finishing of the components assure the best hygiene level. The process connection is a special diaphragm seal which is an integral component of the pressure gauge. To reduce the effects of severe operating conditions like vibrations and pulsations, the instruments can be liquid filled. These types of sensors are intended for Manual (COP) Cleaning.

1.OM.2 - Fillable model

Design: 74-06 SSI; EN837-1.

Safety designation: S1 as per EN 837-2.

Ranges: from 0...2000 psi to 0...15000 psi; (from 0...160 bar to 0...1600 bar or equivalent units).

Accuracy: class 1,6 as per EN 837-1.

Ambient temperature: -13...+149 °F (-25...+65 °C).

Process temperature: -4...+248 °F (-20...+120 °C).

Max 302°F (150 °C) for 1 hour during sterilization (S.I.P)¹.

Working pressure (referred to the full scale value): max 75%.

Over pressure limit: not available.

Seal fill: oil for food service (FDA).

Protection degree: IP 67 as per EN 60529/IEC 529.

Process connection: AISI 316L st.st. with finishing Ra ≤0,8 μm (welded parts included).

Diaphragm: AISI 316L

Welding: AISI 316L TIG.

Flange and screw nut: AISI 316 st.st.

Case: stainless steel.

Ring: stainless steel, bayonet lock.

Elastic element: AISI 316L st.st. spiral form.

Window: tempered glass.

Movement: stainless steel.

Dial: aluminium, white with black markings.

Pointer: aluminium black anodized.

1.OM.3 - Filled model

Case filling liquid: glycerine 99,5% (USP, E.P. and F.U.) for food service.

Ambient temperature: +59...+149 °F (+15...+65 °C).

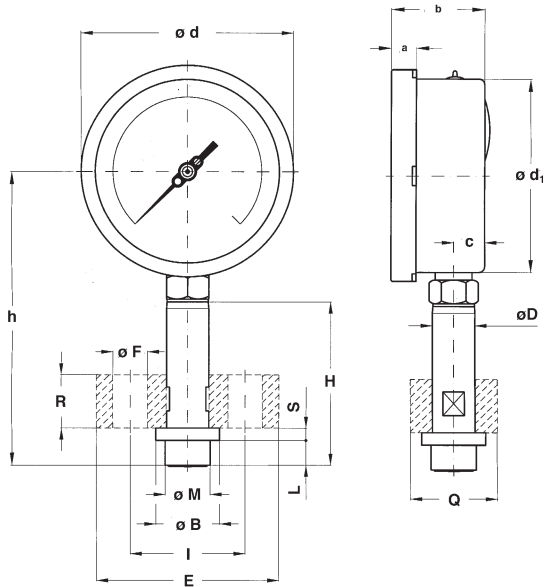
Other features: as fillable model.

1) S.I.P. = Steamed In Place

RANGES	bar	bar ext. psi int.
0...160	◆	◆
0...250	◆	◆
0...400	◆	◆
0...600	◆	◆
0...1000	◆	◆
0...1600 (1)	◆	◆

RANGES	psi
0...2000	◆
0...3000	◆
0...4000	◆
0...5000	◆
0...6000	◆
0...10000	◆
0...15000	◆

(1) available for some connections type only

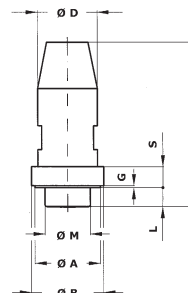


A - LOWER CONNECTION

335 - SA 335
(with flange)

a	b	c	d	d₁	h
0.51" (13)	1.90" (48,5)	0.62" (16)	4.35" (110,6)	3.97" (101)	6.08" (154,5)

167 - SA 167



Customer drawing process
connection available on request

Drawing	Ø D	Ø M	Ø A	Ø B	H	S	G	L	E	Ø F	I	R	Q	Weight
SA 335	0.86" (22)	0.95" (23,5)		1.30" (33,3)	3.38" (86)	0.25" (6,5)		0.51" (13)	3.74" (95)	0.70" (18)	2.36" (60)	1.10" (28)	1.77" (45)	4.01 lbs (1,82 kg)
SA 167	1.22" (31)	0.95" (23,5)	1.33" (34)	1.47" (37,5)	3.38" (86)	0.43" (11)	0.04" (1)	0.39" (10)						2.84 lbs (1,29 kg)

dimensions : inches (mm)

OPTIONS

Model	Fillable	Filled
S35 - Connection as per SA 335, without flange	♦	♦
2D1 - ATEX II 2GD c version	<i>See the ATEX pressure gauges data-sheet for technical details</i>	
L22 - Maximum pointer IP 65 on plexiglas window (1)	♦	♦
T32 - Safety glass window	♦	♦
TPC - Polycarbonate window	♦	♦

(1) Accuracy refers to the area free from the maximum pointer action.

"HOW TO ORDER" SEQUENCE

Section / Model / Case / Mounting / Diameter / Range / Process connection / Options

1 **OM** **2** **A** **E** **167** **S35**
3 **335** **2D1...TPC**