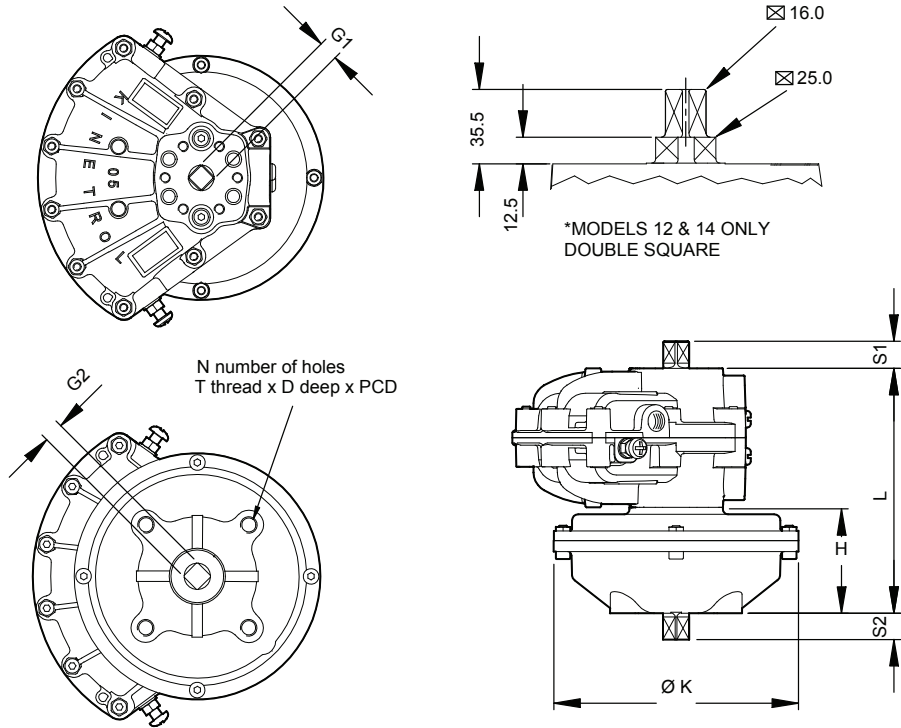


Male Spring Return Actuator Dimensions



Metric Units

Actuator** Model	L mm	H mm	ØK mm	⊠G1 mm	⊠G2 mm	S1 mm	S2 mm	N No.	T ISO	D mm	PCD mm	Wt kg
024-120	90.0	40.0	73.0	8.0	8.0	10.0	10.0	4	M4	8.0	25.5	0.84
034-120	107.0	47.0	107.0	9.0	9.0	12.0	12.0	4	M5	10.0	31.1	2.08
054-120	117.0	50.0	118.0	9.5	9.5	13.0	13.0	6	M5	8.0	34.9	2.63
074-120	182.0	82.0	152.0	16.0	16.0	20.0	20.0	4	M8	16.0	50.9	7.26
084-120	197.0	87.0	174.0	16.0	17.0	20.0	19.0	4	M8	16.0	70.0	7.23
094-120	218.0	92.0	200.0	16.0	19.0	20.0	26.0	4	M10	20.0	65.0	10.30
104-120	285.0	112.0	206.0	16.0	22.0	35.5	26.0	4	M10	16.0	102.0	14.50
124-120	293.0	136.0	258.0	16.0*	25.0	35.5	31.0	4	M12	24.0	77.8	27.95
144-120-4900	417.0	217.0	258.0	16.0*	28.6	35.5	38.0	4	M16	28.5	98.8	51.81
144-120	374.0	174.0	394.0	16.0*	28.6	35.5	38.0	4	M16	28.5	98.8	71.25
144-120-5000	337.0	137.0	258.0	16.0*	28.6	35.5	38.0	4	M16	28.5	98.8	38.18
164-120-6100	450.0	176.0	394.0	41.0	41.0	55.0	55.0	4	M24	32.0	152.7	75.00
164-120	485.5	211.5	524.0	41.0	41.0	55.0	55.0	4	M24	38.0	152.7	123.0
184-120-7000	571.5	211.5	524.0	57.0	57.0	78.0	78.0	4	M30	50.0	226.3	161.0
184-120	671.5	311.5	524.0	57.0	57.0	78.0	78.0	4	M30	50.0	226.3	240.0
204-120-7200	931.5	311.5	524.0	73.0	73.0	100.0	100.0	8	M30	50.0	226.3	350.0
204-120-7300	1031.5	411.5	524.0	73.0	73.0	100.0	100.0	8	M30	50.0	226.3	408.0
204-120	1131.5	511.5	524.0	73.0	73.0	100.0	100.0	8	M30	50.0	226.3	479.0
304-120-7600	1293.0	411.5	524.0	73.0	73.0	100.0	100.0	8	M30	50.0	226.3	524.0
304-120-7700	1393.0	511.5	524.0	73.0	73.0	100.0	100.0	8	M30	50.0	226.3	606.0
304-120-7800	1493.0	611.5	524.0	73.0	73.0	100.0	100.0	8	M30	50.0	226.3	688.0
304-120	1593.0	711.5	524.0	73.0	73.0	100.0	100.0	8	M30	50.0	226.3	770.0

English Units

Actuator** Model	L inch	H inch	ØK inch	⊠G1 inch	⊠G2 inch	S1 inch	S2 inch	N No.	T UNC	D inch	PCD inch	Wt lb
027-120	3.54	1.58	2.87	0.315	0.315	0.39	0.39	4	8-32	0.31	1.00	1.85
037-120	4.21	1.85	4.21	0.354	0.354	0.47	0.47	4	10-24	0.39	1.225	4.58
057-120	4.61	1.97	4.65	0.375	0.375	0.51	0.51	6	10-24	0.31	1.375	5.80
077-120	7.17	3.23	6.00	0.630	0.630	0.79	0.79	4	5/16-18	0.63	2.00	16.00
087-120	7.76	3.43	6.85	0.630	0.669	0.79	0.75	4	5/16-18	0.63	2.76	15.93
097-120	8.58	3.62	7.90	0.630	0.748	0.79	1.02	4	3/8-16	0.79	2.56	22.66
107-120	11.22	4.41	8.11	0.630	0.866	0.79	1.02	4	3/8-16	0.63	4.02	31.97
127-120	11.54	5.35	10.16	0.630*	0.984	1.40	1.22	4	1/2-13	0.94	3.06	61.62
147-120-4900	16.43	8.54	10.16	0.630*	1.125	1.40	1.50	4	5/8-11	1.12	3.89	113.98
147-120	14.72	6.85	15.50	0.630*	1.125	1.40	1.50	4	5/8-11	1.13	3.89	157.0
147-120-5000	13.27	5.40	10.16	0.630*	1.125	1.40	1.50	4	5/8-11	1.13	3.89	84.19
167-120-6100	17.72	6.93	15.50	1.614	1.614	2.17	2.17	4	7/8-9	1.26	6.01	165.0
167-120	19.11	8.33	20.63	1.614	1.614	2.17	2.17	4	7/8-9	1.50	6.01	272.0
187-120-7000	22.50	8.33	20.63	2.244	2.244	3.07	3.07	4	1 1/8-7	1.97	8.91	356.0
187-120	26.44	12.26	20.63	2.244	2.244	3.07	3.07	4	1 1/8-7	1.97	8.91	530.0
207-120-7200	36.67	12.26	20.63	2.874	2.874	3.94	3.94	8	1 1/8-7	1.97	8.91	773.0
207-120-7300	40.61	16.20	20.63	2.874	2.874	3.94	3.94	8	1 1/8-7	1.97	8.91	901.0
207-120	44.55	20.14	20.63	2.874	2.874	3.94	3.94	8	1 1/8-7	1.97	8.91	1058.0
307-120-7600	50.91	16.20	20.63	2.874	2.874	3.94	3.94	8	1 1/8-7	1.97	8.91	1158.0
307-120-7700	54.84	20.14	20.63	2.874	2.874	3.94	3.94	8	1 1/8-7	1.97	8.91	1339.0
307-120-7800	58.78	24.07	20.63	2.874	2.874	3.94	3.94	8	1 1/8-7	1.97	8.91	1520.0
307-120	62.72	28.01	20.63	2.874	2.874	3.94	3.94	8	1 1/8-7	1.97	8.91	1701.0



** Clockwise (120) and counterclockwise (130) units have identical dimensions