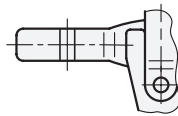


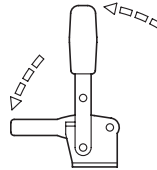
ROSTFREI  
Inox  
Stainless  
Steel

**2 Type**

- A** U-bar version, with two flanged washers
- C** U-bar version, with two flanged washers and GN 708.1 spindle assembly
- E** Solid bar version, with clasp



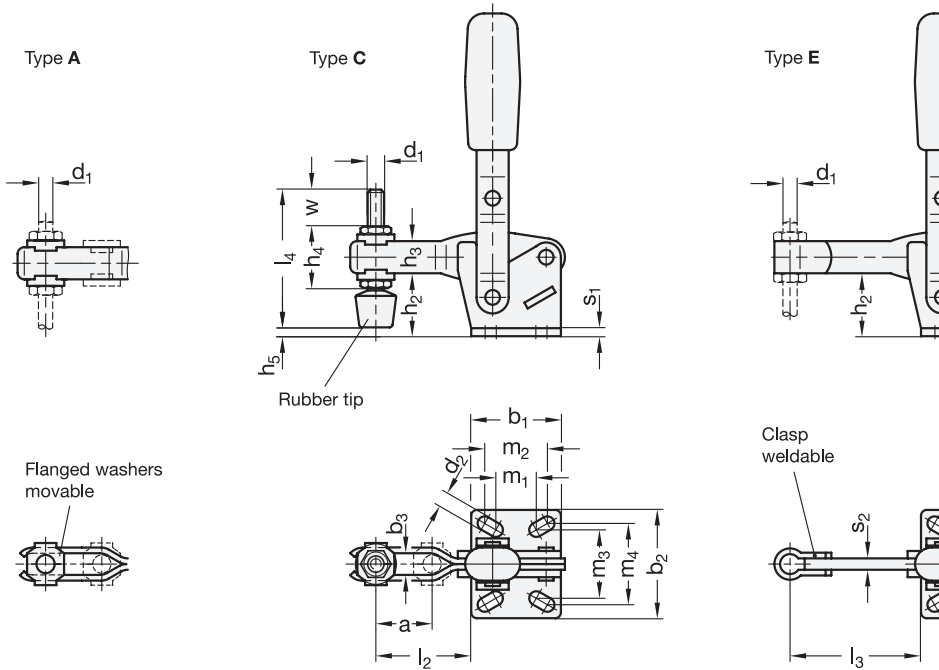
**Operating principle**



**1**

| Size | Steel | Stainless Steel | F <sub>H</sub> in N<br>Holding capacity | a ≈ | b <sub>1</sub> | b <sub>2</sub> | b <sub>3</sub> | d <sub>1</sub> | d <sub>2</sub> ≈ | h <sub>1</sub> ≈ | h <sub>2</sub> | h <sub>3</sub> | h <sub>4</sub> | h <sub>5</sub> |
|------|-------|-----------------|---|-----|----------------|----------------|----------------|----------------|------------------|------------------|----------------|----------------|----------------|----------------|
| 75   | 75    | 75              | 750                                     | 20  | 29             | 34             | 5,2            | M 5            | 4,5              | 98               | 20,5           | 11             | 19             | 5,5            |
| 130  | 130   | 130             | 1050                                    | 28  | 35             | 42             | 6,2            | M 6            | 5,5              | 142              | 28             | 16             | 25,5           | 11,3           |
| 230  | 230   | 230             | 2000                                    | 40  | 43             | 45             | 8,5            | M 8            | 6,5              | 168              | 33,5           | 18             | 30             | 9,5            |
| 330  | -     | -               | 2400                                    | 43  | 50             | 65             | 10,5           | M 10           | 8,5              | 195              | 43             | 22             | 37             | 15             |
| 430  | -     | -               | 2800                                    | 64  | 58             | 65             | 12,5           | M 12           | 8,5              | 247              | 55,5           | 26             | 43             | 23             |
| 530  | -     | -               | 4500                                    | 90  | 80             | 95             | 12,5           | M 12           | 12,5             | 303              | 84,5           | 32             | 49             | 52             |

| Size | Steel | Stainless Steel | l <sub>1</sub> ≈<br>Type A<br>Type C | Type E | l <sub>2</sub> ≈ | l <sub>3</sub><br>max. | l <sub>4</sub> | m <sub>1</sub> | m <sub>2</sub> | m <sub>3</sub> | m <sub>4</sub> | r ≈  | s <sub>1</sub> | s <sub>2</sub> | w<br>Adjustable range |
|------|-------|-----------------|--------------------------------------|--------|------------------|------------------------|----------------|----------------|----------------|----------------|----------------|------|----------------|----------------|-----------------------|
| 75   | 75    | 75              | 66,5                                 | 67     | 31,5             | 41                     | 45             | 15             | 16             | 24             | 24             | 62,5 | 2              | 4              | 15                    |
| 130  | 130   | 130             | 85                                   | 86     | 42               | 54                     | 55             | 12,5           | 19             | 27             | 29             | 79,5 | 2,5            | 5              | 17,5                  |
| 230  | 230   | 230             | 110,5                                | 112    | 58               | 73                     | 68             | 19             | 20             | 32             | 32             | 104  | 3              | 6              | 20                    |
| 330  | -     | -               | 129                                  | 130,5  | 66               | 86                     | 77             | 29             | 32             | 45             | 46             | 122  | 3,5            | 7              | 19                    |
| 430  | -     | -               | 164                                  | 166    | 88               | 114                    | 100            | 32             | 32             | 45             | 45             | 156  | 4              | 10             | 33                    |
| 530  | -     | -               | 223                                  | 225    | 125              | 152                    | 100            | 50             | 51             | 70             | 70             | 212  | 7              | 10             | 27                    |



**Specification**

- Steel
  - Case-hardened Steel C 10 zinc plated, blue passivated
  - Bearing pins tempered
  - Bearing rivets (for size 230 and up) case-hardened
- Stainless Steel AISI 304
- All moving parts lubricated with special grease
- Hand grip High quality, oil resistant, red plastic
- Clamping screw GN 708.1, type A
  - Steel, zinc plated / Stainless Steel, AISI 304
  - Rubber tip 85 Shore A
- RoHS

3

**Information**

GN 810 toggle clamps work according to the toggle principle: lever and clamping bar move in the same direction. In the clamped position the operating lever is in its vertical position.

Toggle clamps in the U-bar version with two flanged washers (type A) can accommodate an application specific clamping screw. A clamping screw with neoprene rubber tip is also included for Type C.

Toggle clamps in the type E version can either be utilized by welding the clasp which can then accommodate an application specific hold-down fastener component, or by utilizing the bar in conjunction with the GN 809 holders for clamping screws to hold the work piece in place.

see also...

- General information for toggle clamps → Page 500
- Toggle clamps GN 910 („Longlife“) → Page 506
- Toggle clamps GN 810.1 (with vertical mounting base) → Page 502

**Accessory**

- Clamping screws → Page 585 ff.
- Holders for clamping screws GN 801 (for toggle clamps) (for type A) → Page 590
- Holders for clamping screws GN 809 (for toggle clamps) (for type E) → Page 591

|                      |  |   |      |
|----------------------|--|---|------|
| How to order (Steel) |  | 1 | Size |
| GN 810-75-E          |  | 2 | Type |

|                                |  |   |          |
|--------------------------------|--|---|----------|
| How to order (Stainless Steel) |  | 1 | Size     |
| GN 810-75-A-NI                 |  | 2 | Type     |
|                                |  | 3 | Material |

