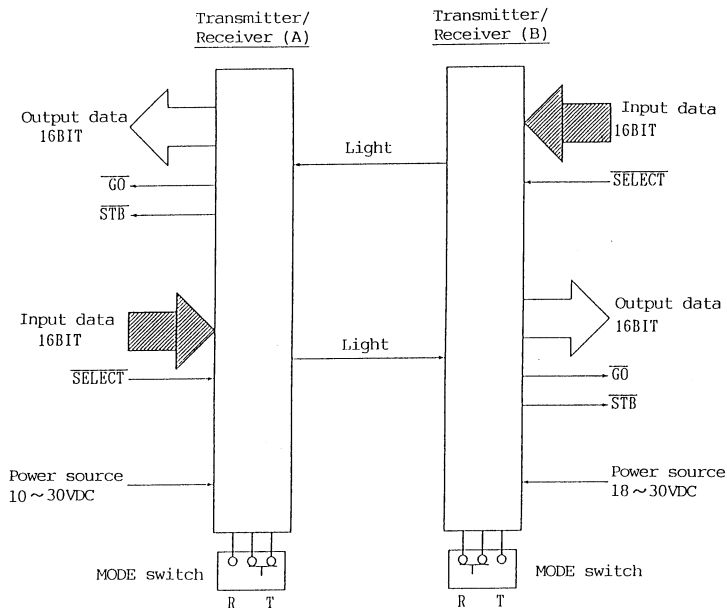


# OPTICAL DATA TRANSMISSION DEVICES SPECIFICATIONS

## 1. Configuration



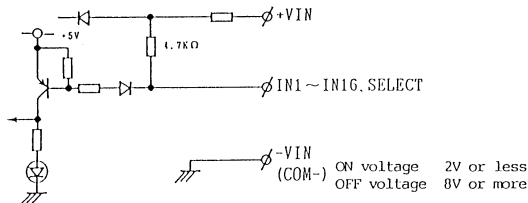
## 2. Specifications

Model No.	DMH-GC1	DMH-HC1
Transmission direction	HEAD-ON	SIDE-ON
Directional angle	$\pm 13^\circ$	
Transmission distance	0~3m(Adjustable by light-projection volume)	
Transmission capacity (Input/output)	16 BIT/16 BIT	
Transmission method	Half-duplex two-way transmission	
Transmission time	15msec Max.	
Modulation method	FSK modulation	
Verification method	Bit reverse comparison method	
Power source	24VDC(10V~30VDC)	
Current consumption	150mA Max.	
Allowable ambient illuminance	Fluorescent lamp:10000lux Incandescent lamp:3000lux	

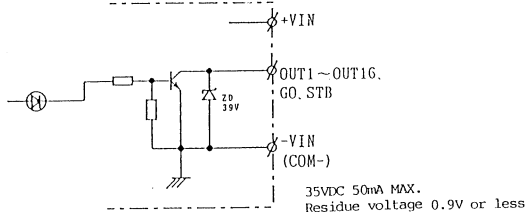
Amendment	Title			SPECIFICATIONS	
	OPTICAL DATA TRANSMISSION DEVICE				
	Approved by	MORI	Date	Sep.19th'92	
	Checked by	MAEJIMA	Drawing	C-42-2040	
	Drawn by	HINO	No.		

Allowable ambient temperature and humidity	-10°C~+50°C, 85%RH or less
Vibration resistance	Double amplitude 1.5mm 10~55Hz 2 hours for X, Y & Z directions(JIS5025)
Impact resistance	500m/s <sup>2</sup> each 3 times for X, Y & Z directions(JIS5026)
Connection method	Cable 2m with simplified connection
Protective structure	IP64
External dimensions	98 X 90 X 20
Weight	Approx.400g(including cable 2m)

Input(IN1~IN16 SELECT)



Output(OUT1~OUT16 STB GO)



### 3.Transmission characteristics

#### (1)Characteristics data

Unit(msec.)

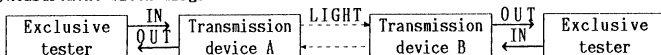
Items	Abbreviation	MIN.	MAX.
Input data hold time	tIH	10	—
Transmission time	tON, tOFF	5	15
Transmission start delay time (Against optical axis coincidence)	tSD	40	50
Output hold time(Against SELECT A)	tOH1	30	60
Output hold time(Against SELECT B)	tOH2	—	2
Output hold time (Against light-interruption)	tOH3	30	60

#### (2)Characteristics measurement conditions

\*It sets A side to transmission priority(T) and B side to reception priority(R).

\*It sets input to A side and output to B side.

#### (3)Measurement block diagram



Amendment

Title

SPECIFICATIONS  
OPTICAL DATA TRANSMISSION DEVICE

Approved by

MORI

Date

Sep.19th'92

Checked by

MAEJIMA

Drawing

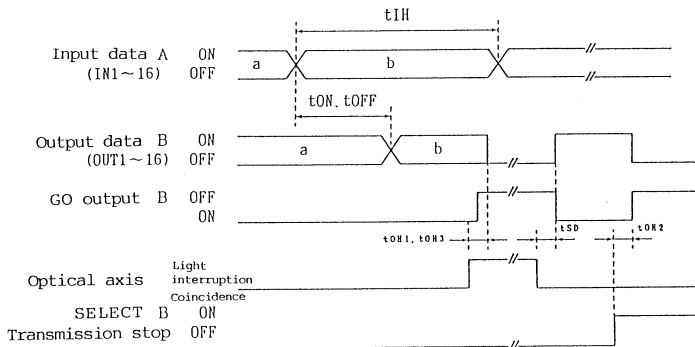
C-42-2040

Drawn by

HINO

No.

#### (4)Transmission timing



#### 4. Terminal functions

Name	Functions
IN1~IN16	Input data
OUT1~OUT16	Output data
SELECT (SEL)	It is shorted to GND ... Transmission/reception is stopped It is opened ... Transmission/reception is operated
GO	It is ON at normal data reception and OFF at light-interruption.  OUT1~16 Output OFF Output ON Output OFF GO OFF ON OFF Labels: (Light interruption), (Light reception), (Light interruption), 0.6ms, 0.6ms
STB	It is ON at normal data fixed.  OUT1~16 STB OFF ON OFF ON Approx. 0.9ms Approx. 3.8ms Approx. 0.8ms
+VIN	24V(10~30V)
-VIN	0V

Amendment

Title

SPECIFICATIONS

OPTICAL DATA TRANSMISSION DEVICE

Approved by

MORI

Date

Sep.19th'92

Checked by

MAEJIMA

Drawing

C-42-2040

Drawn by

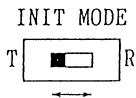
HINO

No.

<INIT MODE setting>

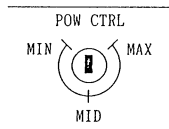
Mode changeover can be made by slide switch in the front.

If the opposite side is set to T mode, the other side should be set to R mode.



<Max.reaching distance against light-projection adjustment VR(Typical)>

Make a setting of light-projection volume with VR in the front.



(VR position)	(Reaching distance)	(Operation angle)
*MIN	0~1m or less	13° or more
*MID	0~3.5m or less	13° or more
*MAX	0~4.5m or more	13° or more

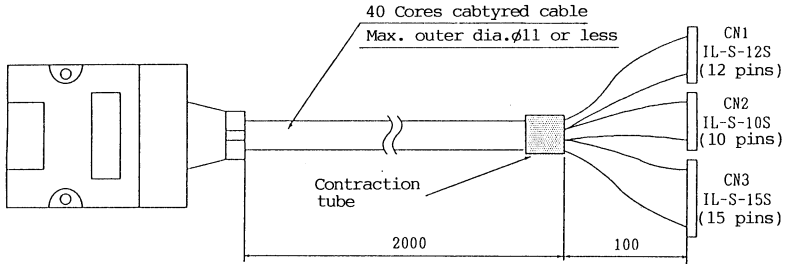
Note 1) Above value is standard. It may be different between the above value and actual distance.

Note 2) In case of making light volume adjustment with VR, make sure to adjust with margin of 1.5 times for Max.reaching distance.

Note 3) In case of setting VR to Max., its distance is 3m or more but abnormal communication etc. may be occurred in that case. Make sure to use with setting distance, 3m or less.

Amendment	Title			SPECIFICATIONS	
	OPTICAL DATA TRANSMISSION DEVICE				
	Approved by	MORI	Date	Sep.19th'92	
	Checked by	MAEJIMA	Drawing	C-42-2040	
	Drawn by	HINO	No.		

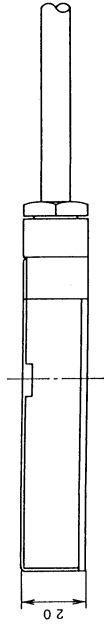
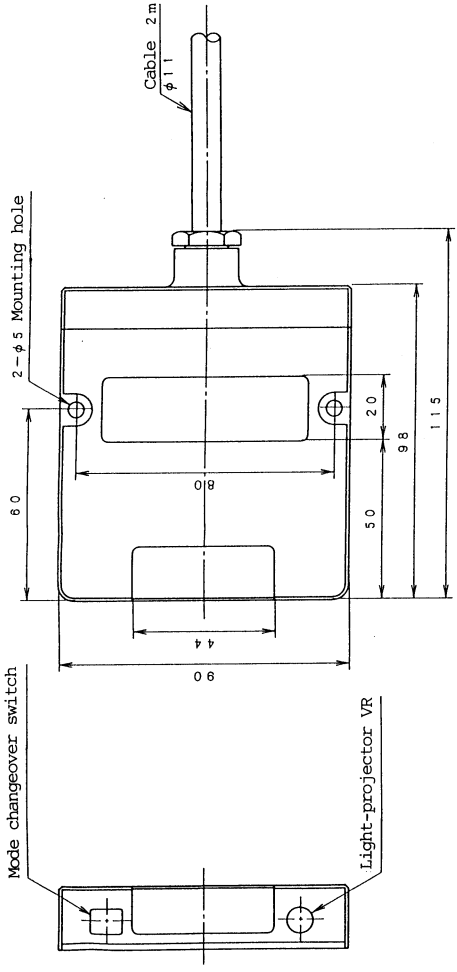
5.Connection table



Pin No.	Wire colors (Marks)	Signal names	Pin No.	Wire colors (Marks)	Signal names
CN1 1	Pink (Red 1)	+VIN	CN2 8	Gray (Black 1)	OUT 8
2	(Red 2)	-VIN	9	(Black 2)	IN 7
3	(Red 3)	OUT 16	↓ 10	(Black 3)	OUT 7
4	(Red 4)	IN 16	CN3 1	Orange (Red 1)	IN 6
5	(Black 1)	OUT 15	2	(Red 2)	OUT 6
6	(Black 2)	IN 15	3	(Red 3)	IN 5
7	(Black 3)	OUT 14	4	(Red 4)	OUT 5
8	(Black 4)	IN 14	5	(Black 1)	IN 4
9	Light blue (Red 1)	OUT 13	6	(Black 2)	OUT 4
10	(Red 2)	IN 13	7	(Black 3)	IN 3
11	(Red 3)	OUT 12	8	(Black 4)	OUT 3
↓ 12	(Red 4)	IN 12	9	Green (Red 1)	IN 2
CN2 1	(Black 1)	OUT 11	10	(Red 2)	OUT 2
2	(Black 2)	IN 11	11	(Red 3)	IN 1
3	(Black 3)	OUT 10	12	(Red 4)	OUT 1
4	Gray (Red 1)	IN 10	13	(Black 1)	S E L
5	(Red 2)	IN 9	14	(Black 2)	G O
6	(Red 3)	OUT 9	↓ 15	(Black 3)	S T B
↓ 7	(Red 4)	IN 8			

Note) Light blue(black 4), gray(black 4) & green(black 4) can't be used.  
In case of using cutting cable, cut it at the base.

Amendment	Title			
	SPECIFICATIONS			
	OPTICAL DATA TRANSMISSION DEVICE			
	Approved by	MORI	Date	Sep.19th'92
	Checked by	MAEJIMA	Drawing	C-42-2040
	Drawn by	HINO	No.	



Amendment

Title	DMH-GC1	
	EXTERNAL DIMENSIONS	
	Checked by	HINO
	Date	Mar. 3rd '93
Drawn by	Drawing	
Traced by	SOTOMA	No.
		MC-40-2432-1

HOKUYO AUTOMATIC CO., LTD.