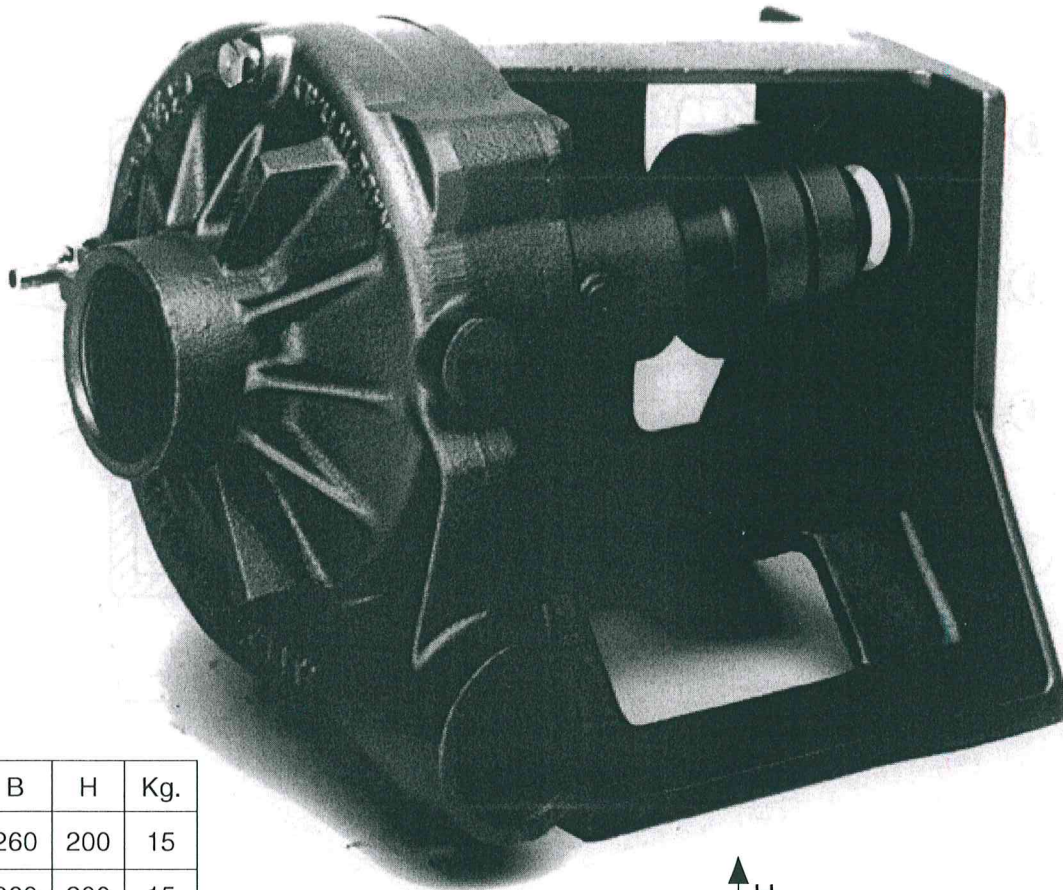
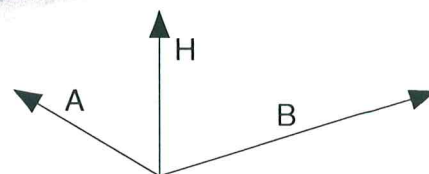


POMPE CENTRIFUGHE DA FLANGIARE A MOTORI IDRAULICI
 CENTRIFUGAL PUMPS TO BE COUPLED TO HYDRAULICS MOTORS
 POMPE CENTRIFUGES A FLASQUER MOTEURS HYDRAULIC

CR

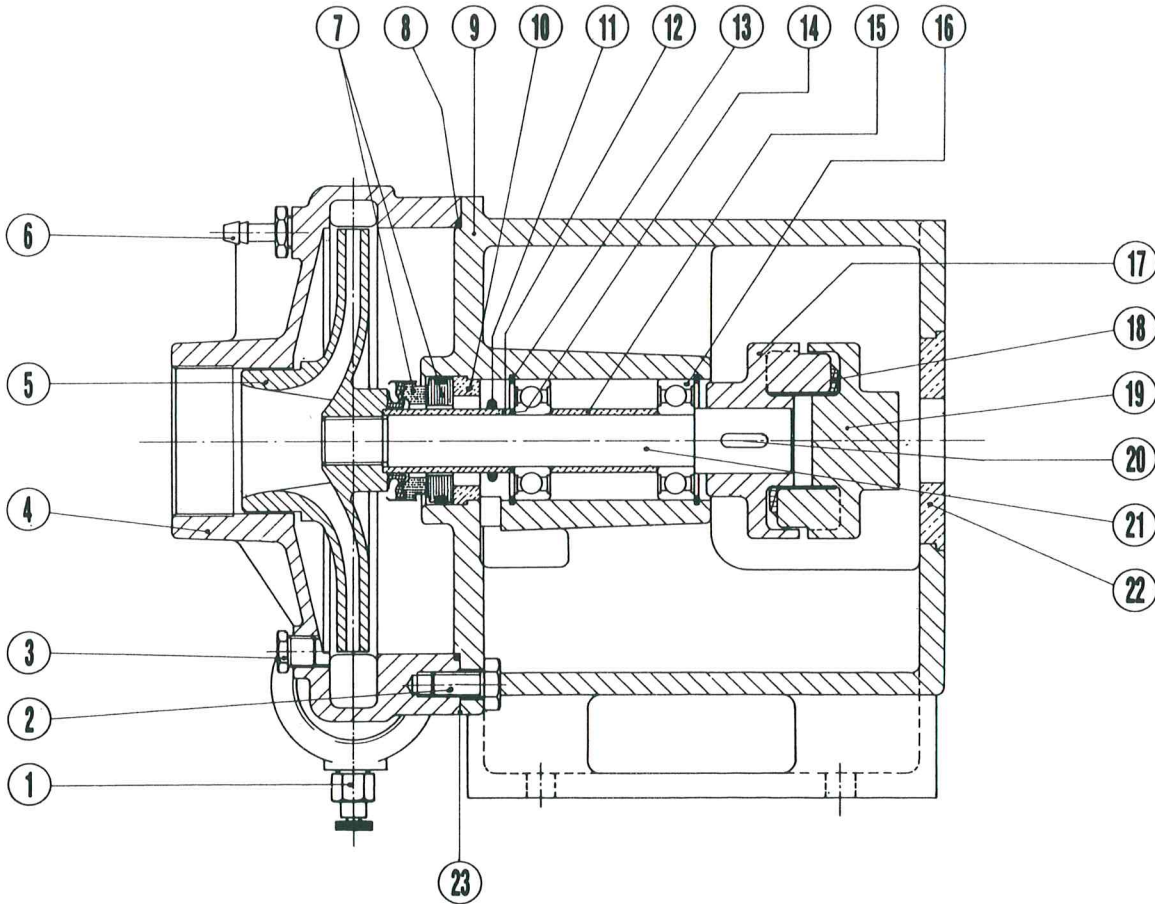


	A	B	H	Kg.
C1R	210	260	200	15
C1 1/2 S	210	260	200	15
C1 1/2 R	230	310	250	19,5
C2 1/2 R	250	330	250	23



PRESTAZIONI g/m' CAPACITY r.p.m. PERFORMANCE t.p.m.						
TIPO POMPA PUMP TYPE TYPE POMPE	A - M	g/m' rpm tpm	HP	Q lt/1	H mt.	CODICE CODE
C1R	1 1/2"	3600	2,5	240 90	15 35	01315.00
	1"	4000	3	255 70	25 45	
C1 1/2 S	1 1/2"	3600	2,5	260 110	15 35	01485.00
	1 1/2"	4000	3	270 80	25 45	
C1 1/2 R	2"	3200	4	355 150	27 42	01525.00
	1 1/2"	3600	5,5	400 100	36 54	01526.00
C2 1/2 R	3"	3000	9	1500 600	15 39	02525.00
	2 1/2"	3200	12	1300 500	30 45	

SEZIONE DELLA POMPA CON LE PARTI DI RICAMBIO - PUMP CROSS SECTION AND SPARE PARTS LIST - SECTION DE LA POMPE AVEC LES PIÈCES DÉTACHÉES



POS. N°	DESCRIZIONE - DESCRIPTION - DENOMINATION	C1R 01315.00	C1 ½ S 01485.00	C1 ½ R 01525.00	C1 ½ R 01526.00	C2 ½ R 02525.00
1	RUBINETTO - COCK - ROBINET	/	/	23000.24	/	/
2	VITE - SCREW - VIS	01390.40	01390.40	01500.23	01500.23	01500.23
3	TAPPO - PLUG - BOUCHON	01000.24	01000.24	01000.25	01000.25	01000.25
4	CORPO POMPA - PUMPA CASING - CORPS DE POMP	01000.02	01170.02	01500.02	01500.02	02500.02
5	GIRANTE - IMPELLER - TURBINE	01000.99	01000.99	01500.99	01500.99	02500.99
6	RACCORDO - NIPPLE - RACCORD	/	/	01590.25	/	/
7	TENUTA MECCANICA - MECHANICAL SEAL - JOINT MECANIQUE	01000.22	01000.22	01500.22	01500.22	01500.22
8	GUARNIZIONE - GASKET - JOINT (OR)	01000.06	01000.06	01133.06	01133.06	01133.06
9	SUPPORTO - BRACKET - SUPPORT	22030.01	22030.01	01525.01	01526.01	01525.01
10	DISTANZIALE - SPACER - ECARTEUR	/	/	01500.13	01500.13	01500.13
11	GUARNIZIONE - GASKET - JOINT	01000.30	01000.30	01525.06	01525.06	01525.06
12	DISTANZIALE - SPACER - ECARTEUR	01000.11	01000.11	01500.11	01500.11	01500.11
13	ANELLO D'ARRESTO - STOP RING - BAGUE D'ARRET	01000.21	01000.21	01500.21	01500.21	01500.21
14	GUARNIZIONE - GASKET - JOINT	0D150.39	0D150.39	0D040.31	0D040.31	0D040.31
15	DISTANZIALE - SPACER - ECARTEUR	01000.12	01000.12	01533.12	01533.12	02500.12
16	CUSCINETTO - BEARING - COUSSINET	0D040.11	0D040.11	D510A.05	D510A.05	D510A.05
17	SEMIGIUNTO - HALF COUPLING - DEMI JOINT	01020.29	01020.29	01525.29	01525.29	01525.29
18	GOMMA - RUBBER - GOMME	01020.53	01020.53	01520.53	01520.53	01520.53
19	SEMIGIUNTO - HALF COUPLING - DEMI JOINT	21530.42	21530.42	01525.42	01526.42	01520.42
20	CHIAVETTA - KEY - CLAVETTE	0D150.44	0D150.44	02812.44	02812.44	02812.44
21	ALBERO - SHAFT - ARBRE	01000.10	01000.10	01525.10	01525.10	01525.10
22	DISCO - DISK - DISQUE	21530.31	21530.31	21530.31	/	21530.31
23	GUARNIZIONE - GASKET - JOINT	/	/	01500.06	01500.06	01500.06