

# 6438 Mini Push Button

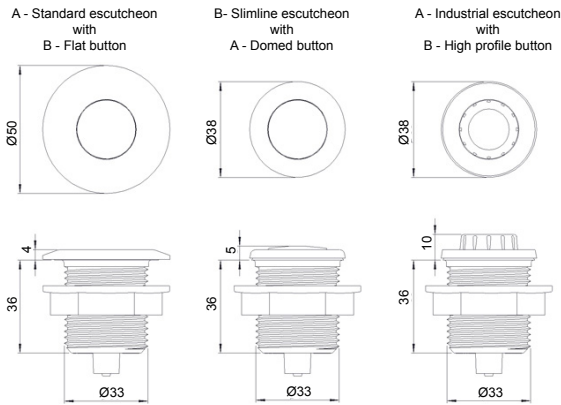
# herga

Technology Ltd

- Compact size
- Choice of button/escutcheon materials
- Low profile above surface
- Choice of colours
- Choice of tube options
- Large air volume for longer tube lengths



## Reference dimensions



PANEL HOLE MUST NOT EXCEED 35.0 MM DIA. FOR ALL VERSIONS

## Ordering and options

Stock models : 6438-ACAC-AB00  
6438-ABAB-AB00

6438 - [ ] [ ] [ ] [ ] - [ ] [ ] [ ] [ ]

### Model

#### Escutcheon type -

- A Standard
- B Slimline
- C Industrial
- Z No escutcheon required

#### Escutcheon finish -

- A White
- B Brilliant white
- C Chrome
- D Gold
- F Black
- Z None supplied

#### Button type -

- A Domed
- B Flat with textured finish
- C High profile
- Z None supplied

#### Button finish -

- A White
- B Brilliant white
- C Chrome
- D Gold
- F Black
- Z None supplied

#### Bellows type & spout diameter

- A Silicone bellows Ø4 mm
- B Silicone bellows Ø2 mm
- C Standard bellows Ø4 mm
- D Standard bellows Ø2 mm

#### Nut & washer option

- A Supplied with nut only
- B Supplied with nut & washer
- Z No nut & washer required

## General specifications

|                       |   |
|-----------------------|---|
| Standards/approvals   | n/a   |
| Degree of protection  | EN 60529 IPX4   |
| Connection method     | Via back entry spout, Ø4mm or Ø2mm  |
| Electrical rating     | n/a   |
| Contact configuration | n/a   |
| Pressure range        | Compatible with 6871, 6872, 6773, 6753, 6891, 6893, 6861, 6862, 6863, 6864, 6869 - dependent on tube length |

|                             |  |
|-----------------------------|--|
| Operating temperature range | -10°C to +40°C   |
| Body material               | Thermoplastic  |
| Weight                      | Plastic - 0.03Kg   |
| Additional information      | A longer threaded body version to suit up to 50mm panels is available upon request |



Herga Technology Ltd - Northern Way - Bury St. Edmunds - Suffolk - IP32 6NN - UK  
sales@herga.com • www.herga.com • +44 (0)1284 701422

Subject to change without notice