

Data sheet

KLEEdrive AC-motors

Motors, Pumps and Blowers > KLEEdrive AC-motors > KLEEdrive AC-motors



SKU:

Description:

2513000128157040

KLEEdrive IE1 asynchronous

motor MS 712-8 0,12KW

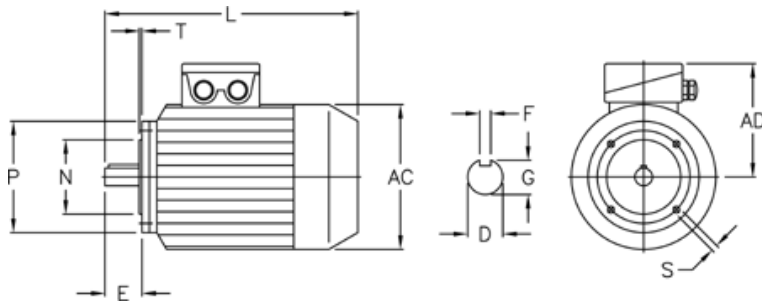
UL/CSA/PTC

8 - 750 o/min 3x230/400 V

50 Hz B14 Aluminium

<https://www.cselectric.dk/en/products/2513000128157040>

Measurements



Product drawings and brochures of any kind may contain errors for which CS Electric ApS cannot be liable.

AC	=	147
AD	=	115
D	=	14
E	=	30
F	=	5
G	=	11
L	=	255
M	=	85
N	=	70
P	=	105
S	=	M6
Size	=	71
T	=	2.5