

CVM-B100

CVM-B150

Power analyzers for panel



Description

The **CVM-B100** and **CVM-B150** units are panel mounted three-phase power analyzers (dimensions: 96x96 and 144x144 mm, respectively). Both offer 4-quadrant measurement (consumption and generation). Suitable for Medium or Low voltage installations, in both 3 or 4-wire three-phase circuits, two-phase circuits with or without neutral, single-phase circuits or ARON connections.

The **CVM-B100** and **CVM-B150** high-performance units feature a measurement engine that allows the user to analyse many different electrical parameters, in addition to offering a large variety of optional expansion modules for the same unit.

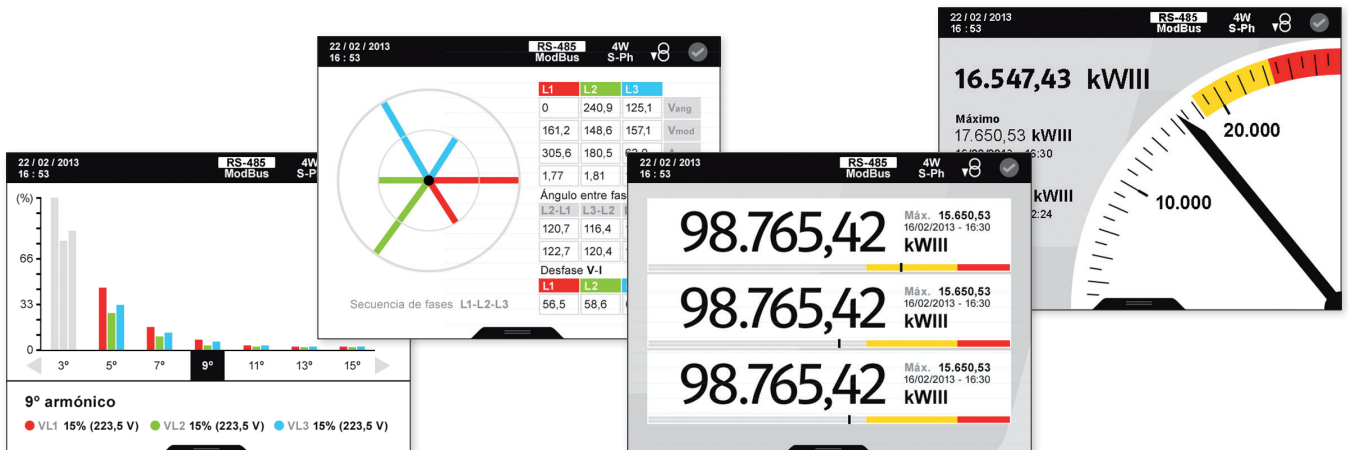
Features:

- Format: 96x96 (**CVM B100**) and 144x144 (**CVM B150**)
- High-resolution VGA colour screen
- IP 65* front panel protection
- 5 voltage inputs (3 phases + neutral + earth) 1000 V_{r-f}
- 4 Current inputs, ITF
- Class 0.2 voltage and current accuracy
- Class 0.5S energy accuracy
- Expandable unit, up to 4 modules, combining digital and analogue outputs, Modbus/TCP, MBus, LonWorks, Profibus, XML/Web
- Modular (optional addition of expansion modules)
- Touch-sensitive movement buttons
- Universal power supply source
- RS485 communications port (Modbus/RTU and BACnet protocols)
- Customisation of parameters to be displayed
- Operating hour indicator for preventive maintenance.

Other features:

- Innovative SCV interface (Slide, Choose & View) for versatile data display, enabling the customisation of the parameters displayed on the screen
- Electrical parameters: instantaneous, maximum, minimum (with date and time) and demand
- Incremental electrical parameters (energy), times, costs, emissions
- 3 Tariffs (can be selected via the digital input or RS485 communications)
- Capable of showing costs and kgCO₂ emission sources on the screen, depending on the energy consumed or generated
- 2 Relay outputs for alarms with delay, times, ON and OFF, etc.
- 2 transistor outputs for alarms or impulse generation, with all the possible configuration parameters
- 2 digital inputs, with control over the selection of the unit's tariffs or configurable for monitoring purposes, with RS-485 Modbus communications, monitoring of logical states of other electromechanical units. (RCCBs, thermal-magnetic circuit breakers, etc.)

* with sealing joint.



CVM-B100

CVM-B150

Power analyzers for panel

Applications

- Control and monitoring of all electrical parameters measured in any electric distribution panel and low and high-voltage connection points.
- 4 alarms (2 per transistor and 2 per relay), fully and independently programmable: low or high value, hysteresis, connection/disconnection delays, normally open or closed standby status and interlocking.
- Generation of impulses with transistor outputs, fully and independently configurable over any incremental parameter (energy, costs, kgCO₂, total meter or tariff hours)
- Transducer that converts analogue signals to any instantaneous parameter that the unit can measure or calculate, with built-in expansion modules with analogue outputs.
- Display of process signals, with a built-in expansion module with analogue inputs; optional reporting of these signals to SCADA systems through communication systems
- Control of electrical load or alarm signal operations by programming the transistor or relay outputs that are built-in or added through expansion modules.
- Autonomous datalogger with web server, connected to a **M-CVM-AB-Datalogger** module. Enables direct monitoring of the historical data stored in the unit via a conventional web browser.

400 Hz Applications

CVM-B150 provides a version adapted to 400 Hz networks specially designed for applications such as:

- Aeronautical
- Astronautics
- Naval
- Military

Technical features

Power circuit	Power supply voltage	85...265 Va.c. / 120...300 Va.c. 20...120 Vd.c. (SDC Model)
	AC Frequency	50/60 Hz
	AC Consumption	CVM-B100 - 6...8 VA (max. 24 VA) CVM-B150 - 7...12 VA (max. 30 VA)
	DC consumption	CVM-B100 - 3...4 W (max. 13 W) CVM-B150 - 4...7 W (max. 12 W)
Voltage measurement circuit	Voltage range	500 V _{p-n} - 866 V _{p-p} (functional up to 600 V _{p-n} / 1000 V _{p-p})
	Frequency	40...70 Hz, 400 Hz (only CVM-B150-ITF-HF-485-ICT2)
	Measurement margin	7 %...200% of the U _n for U _n =300 Vac (p-n)
	Admissible overvoltage	750 Vac
	Maximum consumption (limited current)	< 0.15 VA
Current measurement circuit	Current measurement	4 (3 phases + 1 neutral)
	Input current	.../5 A or.../1 A or .../250 mA
	Minimum current for class	250 mA
	Start-up current	10 mA
	Measurement margin	0,2...200% I _n (.../5 A) 1...200% I _n (.../1 A) 4...200% I _n (.../250 mA)
	Admissible overload	2 I _n permanent, 100 A t < 1 s
	Consumption	max I _m 0.9 VA
Maximum transformation ratios	Primary V : 500,000 Primary A : 999,9 (10 kA) .../5 and .../1A, 63...2000 MC type Product of Primary V x Primary A < 900 MW	
Maximum meter value (total)	If (Primary A / Secondary A) < 1,000 (2 GW) If (Primary A / Secondary A) ≥ 1,000 (2 TW)	
Accuracy class	Voltage	Class 0.2 ± 1 digit
	Neutral voltage	Class 0.5 ± 1 digit
	Current	Class 0.2 ± 1 digit
	Neutral current	Class 1 ± 1 digit
	Active power	Class 0.5 ± 1 digit
	Reactive power	Class 1 ± 1 digit
	Active energy	Class 0.5 S (.../5 A) Class 1 (.../1 A and .../250 mA)
	Reactive energy	Class 1 (.../5 A) Class 2 (.../1 A and .../250 mA)
Display of harmonics	Voltage/Current	up to 50

CVM-B100

CVM-B150

Power analyzers for panel

Technical features

Connections	
Digital inputs	Selection of tariffs, states or external alarms
	Type Optoisolated potential-free contact
	Quantity 2
	Activation current 5 mA (15 V maximum voltage of open contact)
	Insulation 4 kV
Digital outputs	Generation of impulses or alarms
	Type NPN transistor
	Quantity 2
	Maximum operating voltage 48 Vdc
	Maximum operation current 130 mA
	Maximum frequency 1 kHz
	Pulse duration (T on / T off) 0.3 / 0.7 ms (1 ms of a complete impulse)
	Alarms
	Type Relay
	Quantity 2
	Maximum operating power 1500 W
	Maximum voltage open contacts 250 Vac
	Maximum switching current 3 A
	Electrical working life (400 V / 6 A) 3×10^4 cycles
	Mechanical working life 1×10^7 cycles
Built-in communications	Protocols Modbus RTU / BACnet
	Speed 9600...115200
	bits, parity, stop 8, n, 1 (configurable)
Environmental conditions	Working temperature -10...+50 °C
	Relative humidity 5...95%
	Altitude 2000 m
Build features	Format Assembly on 96x96mm or 144x144 panel
	Depth 110 mm w/o expansion modules (both models)
	Front panel IP Protection IP 40 (IP 65 with accessory)
	Rear panel IP protection IP 30
Safety	Designed for CAT III 300/520 Vac installations, in accordance with EN 61010 Double-insulated electric shock protection, class II
Standards	IEC 62053-22, ANSI (Class 0.5S), IEC 62053-24 (Class 1) / ANSI C12.1 (Class 2), IEC 61010, IEC 61000, UNE-EN 55022, Measurement in accordance with MID, UL certification, IEC 61000-4-2, IEC 61000-4-3, IEC 61000-4-11, IEC 61000-4-4, IEC 61000-4-5

References

96 x 96

Current measuring secondaries	Type	Code
.../5 or .../1 A or ...250 mA	CVM-B100-ITF-RS485-ICT2	M56011
.../5 or .../1 A or ...250 mA	CVM-B100-SDC-ITF-485-ICT2*	M5601100F0000

* Power Supply 20...120 Vdc

144 x 144

Current measuring secondaries	Type	Code
.../5 or .../1 A or ...250 mA	CVM-B150-ITF-RS485-ICT2	M56111
.../5 or .../1 A or ...250 mA	CVM-B150-SDC-ITF-485-ICT2*	M5651100F0000
.../5 or .../1 A or ...250 mA	CVM-B150-ITF-HF-485-ICT2**	M561H1

* Power Supply 20...120 Vdc

** 400 Hz version, check the available variable on the product manual M210B01

CVM-B100

CVM-B150

Power analyzers for panel

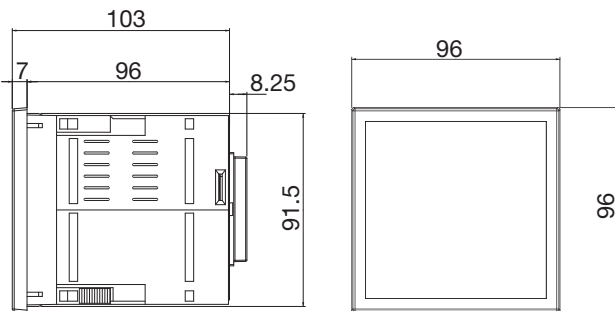
Expansion modules for CVM B150 and CVM B100

Outputs	Digital Inp.	Analogue Inp.	Communications	Protocol	Type	Code
8 Trans.(*)	8	-	-	-	M-CVM-AB-8I-8OTR	M56E01
8 relay	8	-	-	-	M-CVM-AB-8I-8OR	M56E02
8 (0/4...20mA)	-	4 (0/4...20mA)	-	-	M-CVM-AB-4AI-8AO	M56E03
-	-	-	Ethernet (Bridge RS-485)	Modbus/TCP	M-CVM-AB-Modbus-TCPBridge	M56E05
-	-	-	Ethernet (Bridge Ethernet)	Modbus/TCP	M-CVM-AB-Modbus-Switch	M56E0A
-	-	-	Ethernet	Web/XML/PowerStudio	M-CVM-AB-Datalogger	M56E06
-	-	-	Mbus	Mbus	M-CVM-AB-MBUS	M56E07
-	-	-	LonWorks	LonTalk ISO/IEC 14908 ANSI/EIA 7091	M-CVM-AB-LonWorks	M56E08
-	-	-	-	Profibus/DP	M-CVM-AB-Profibus	M56E09

Description	Type	Code
IP 65 sealing joint for CVM-AB (96x96)	IP65-AB-96	M5ZZ5U
IP 65 sealing joint for CVM-AB (144x144)	IP65-AB-144	M5ZZ5V

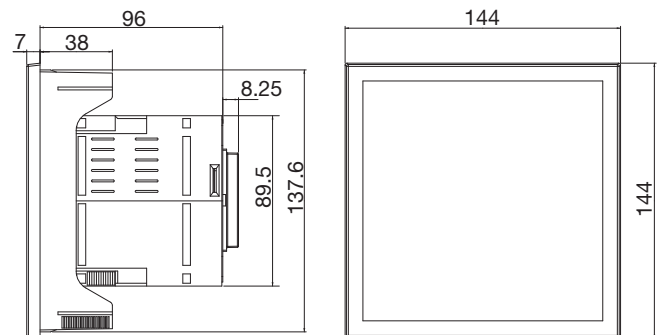
Dimensions

CVM-B100



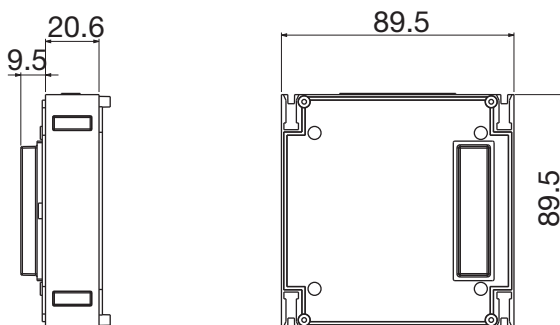
Window level: 92x92 mm

CVM-B150



Window level: 138x138 mm

CVM-B Module



Note: Refer to the product manual for other options

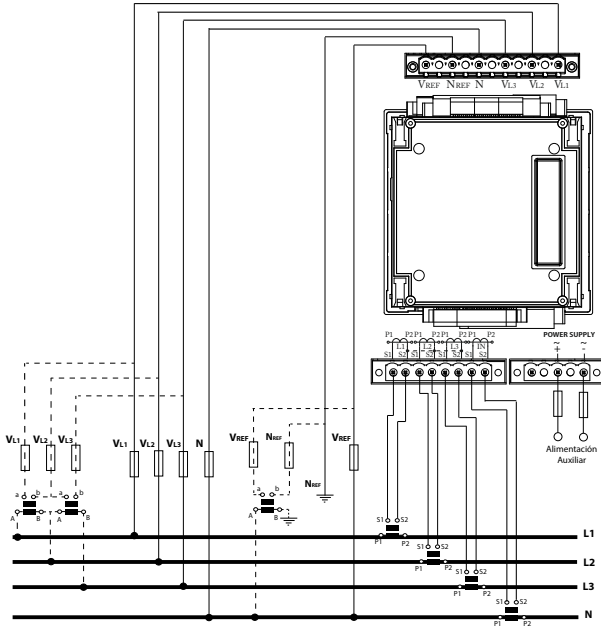
CVM-B100

CVM-B150

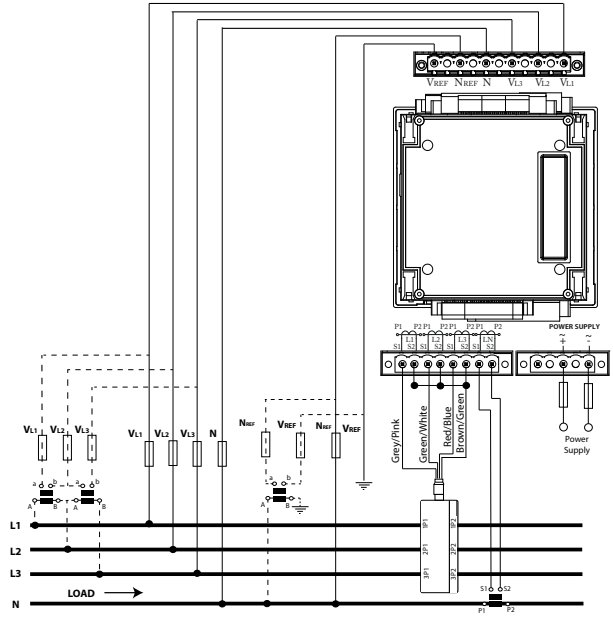
Power analyzers for panel

Connections

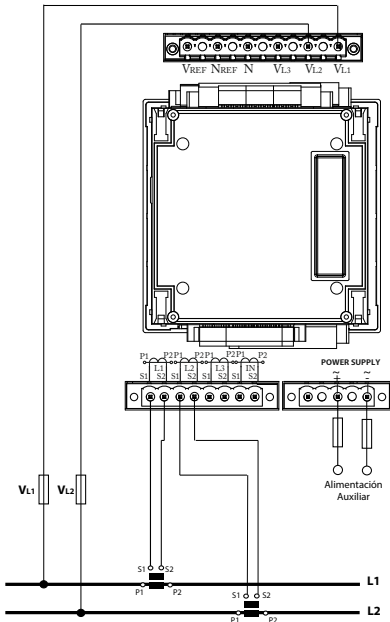
Three-phase measurement, with or without voltage transformer and current transformers



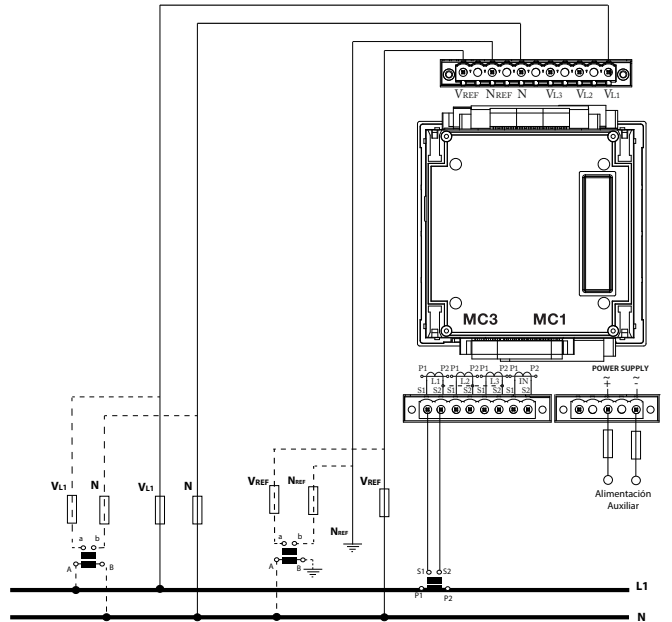
Three-phase measurement, with or without voltage transformer and MC3 type transformers (1250 mA) + .../5 A type transformers for neutral current.



Direct phase-phase measurement with current transformers



Measurement in single-phase system with or without voltage transformer



Note: Refer to the product manual for other options