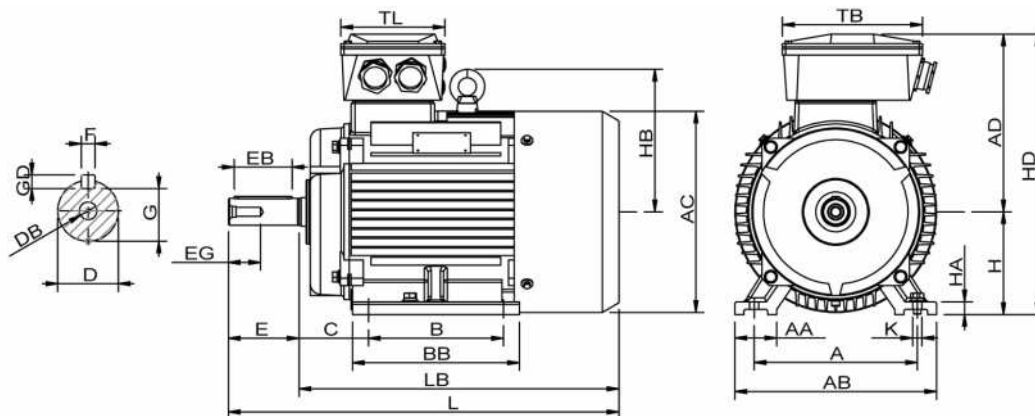


Data Sheet

Itemnumber....: 3222001109



A = 318	AC = 397	BB = 369	DB = M20	EG = 50	GD = 10	HB = 263	L = 779	TL = 192
AA = 70	AD = 313	C = 133	E = 110	F = 16	H = 200	HD = 513	LB = 669	
AB = 388	B = 305	D = 55	EB = 90	G = 49	HA = 25	K = 18,50	TB = 260	

Version

Type.....: HMC2 200L2-2
 Design.....: Induction motor
 Standard series.....: IEC 60034
 Phase / Voltage range.....: 3~ / Low

Electrical design

Efficiency.....: IE2
 Pole.....: 2
 Power at 50 Hz (kW).....: 37,0
 Hz.....: 60 (60 Hz output)
 Voltage.....: 440VD 60 Hz
 Winding voltage.....: 400VD/690VY 50 Hz
 Power output (kW).....: 43,0
 Duty.....: S1
 Insulation class.....: F
 Temperature rise.....: B

Motor protection

Thermal protection main....: PTC 3x 155 dgr
 Thermal protection second.: None
 Space heater.....: 1x 230V
 Temperature detector.....: No
 SPM.....: No
 IR wire.....: No
 Tropical insulation.....: Yes

Explosion protection

According to.....: None

General

Direction of rotation.....: CW
 Painting.....: RAL 9005 Gloss 10
 Nameplate.....: Multivoltage + VFD
 Special packing.....: No
 Special requirements.....: No

Mechanical design

Frame size.....: 200
 Mounting.....: B3
 Rain cap.....: No
 Protection class.....: IP55
 Cooling method.....: IC411/TEFC
 External grounding.....: Yes
 Drain hole.....: Yes
 Frame material.....: Cast Iron
 Material approval.....: None
 Shaft.....: IEC Standard
 Key.....: Closed key
 Balancing.....: Half key balancing
 Vibration class.....: Grade-A
 Weight (kg).....: 244

Environment condition

Ambient temp. min. (°C)..: -20
 Ambient temp. max. (°C)..: 45
 Altitude (mtr up to).....: 1000

Bearing

DE Bearing.....: 6312-ZZ/C3
 NDE Bearing.....: 6312-ZZ/C3
 Fixed bearing.....: DE

Terminal box

Tbox position.....: Top
 Cable entry direction.....: Right (from DE)
 Cable entry
 Main.....: 2 x M50x1,5
 Ø32-38mm metal
 Accessory.....: 2 x M20x1,5
 Metal blindcaps
 Connection type.....: Delta (D)
 Terminal board thread.....: 6-M8

Test values

Rotor inertia (kgm²).....: 0,16
 Noise level (dB(A)).....: 75
 No load current (A).....: 17,2
 Winding resist. (ohm).....: 0,11
 Starting time (sec.).....: 0,14
 Temp. rise winding (K).....: 77
 Temp. rise surface (K).....: 65

Rated power (kW)	37,0	36,0	44,5	43,0
Frequency (Hz)	50	50	60	60
Voltage (V)	400 690	380 660	480 830	440
Connection	D Y	D Y	D Y	D
Full load current (A)	64,0 37,0	66,0 38,0	64,0 37,0	67,5
Speed (rpm)	2950	2950	3540	3540
Power factor cos(phi)	0,91	0,91	0,91	0,91
Efficiency, 100/75/50 (%)	92,4/92,5/91,4	92,4/92,5/91,4	92,4/92,5/91,4	92,0/92,1/90,9
Ist/In	8,5	7,5	8,5	7,8
Full load torque (Nm)	120	116	120	116
Tst/Tn	3,1	2,9	3,1	2,7
Tmax /Tn	3,9	3,6	3,9	3,4
Duty	S1	S1	S1	S1
Ambient temp. (°C)	40	45	40	45