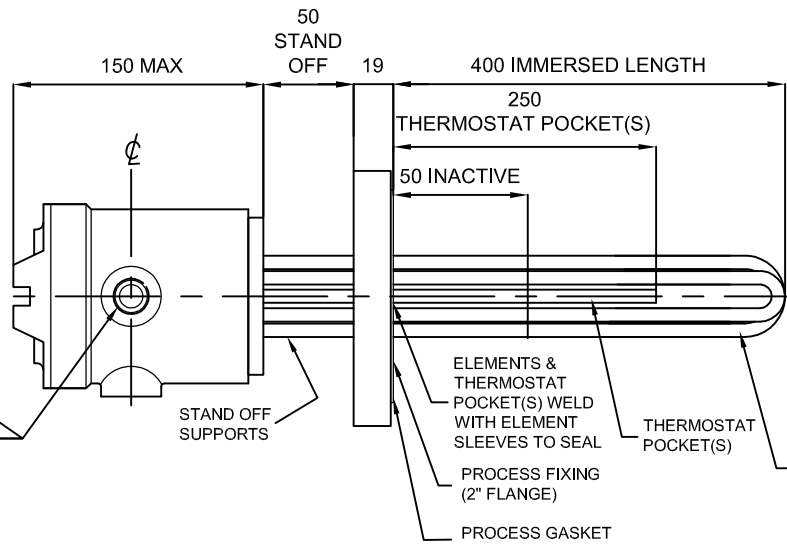
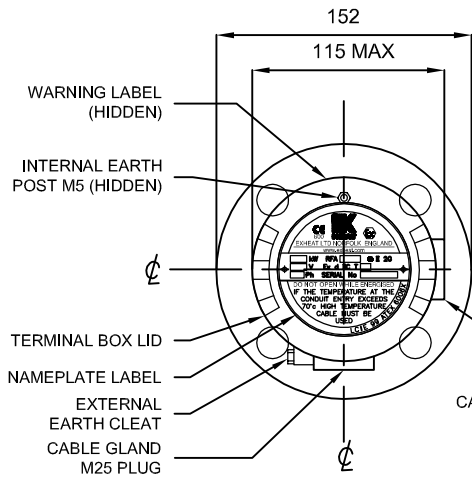
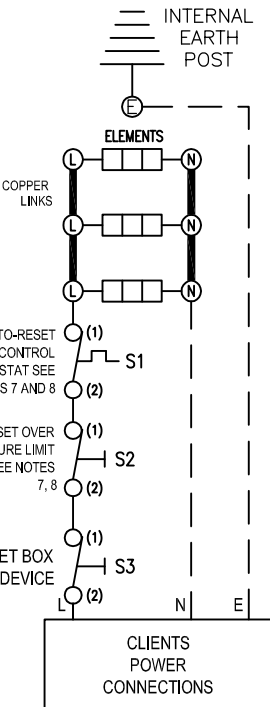
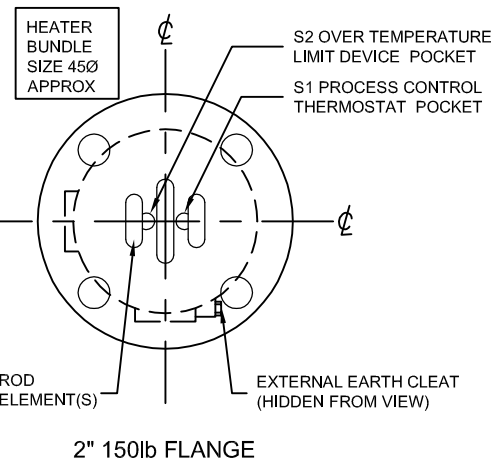


VIEW FROM TERMINAL BOX END



VIEW FROM PROCESS END



NOTES

- RATING AND SUPPLY ~ 1kW, 230V, 1Ph, 50Hz
- PROCESS FIXING ~ 2" NB 150lb ANSI RF BLIND 316L STAINLESS STEEL FLANGE
- ENCLOSURE ~ RFA (CAST ALUMINIUM IP67)
- ELEMENT(S) ~ 10mm DIAMETER, INCOLOY 825 ROD ELEMENTS
- THERMOSTAT POCKET(S) ~ 316L STAINLESS
- HEATER SPECIFICATION:  
II 2G Ex'd' IIC FLAMEPROOF HEATER GROUP IIC. T6 TEMPERATURE CLASS.  
CERTIFICATE No LCIE 99 ATEX 6006X
- LIMIT CONTROLS ~  
S1 AUTO RESET THERMOSTAT RANGE +5/+80°C  
S2 MANUAL RESET SET AT 70°C  
S3 MANUAL BOX CUT OUT
- HEATERS MUST HAVE A MINIMUM OF 1 OFF EITHER OVER-TEMPERATURE THERMOSTAT or CUTOUT WHICH MUST BE MANUALLY RESET BY EITHER:  
a) DEVICE BEING AUTO RESET, MANUALLY RESET AT THE CONTROL PANEL BY KEY SWITCH or SPECIAL TOOL.  
b) DEVICE BEING MANUAL RESET INSIDE TERMINAL BOX.
- CABLE ENTRIES ~ (SUPPLIED PLUGGED)  
1x M25 x1.5p (POWER), 1x M20 x1.5p (CONTROL).
- MAX. OPERATING PRESSURE ~ 16 BARG
- FINISH:  
TERMINAL BOX LID POWDERCOATED RAL 2010 (ORANGE).  
TERMINAL BOX BASE POWDERCOATED RAL 9007 (GREY)  
FLANGE - STAINLESS NATURAL OR MILD STEEL POWDERCOATED RAL 9007 (GREY)

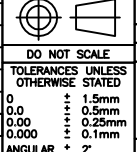


CERTIFIED PRODUCT

NO MODIFICATIONS PERMITTED WITHOUT THE APPROVAL OF THE QA MANAGER.  
DOES THIS CHANGE AFFECT ANY CERTIFICATION OR CERTIFICATE SCHEDULE DRAWING?  
IF YES, RECORD THE DCN No. IN THE COLUMN TO THE RIGHT.

DCN No	Y/N	REV	DATE	COMMENTS
-	-	0	02.12.09	FIRST ISSUE

3rd ANGLE PROJECTION



ALL DIMENSIONS IN MILLIMETRES UNLESS OTHERWISE STATED  
DO NOT SCALE!  
IF IN DOUBT, ASK!  
WHERE ELECTRONIC DOCUMENTS ARE SUPPLIED, THE END PRODUCT MUST CONFORM TO THE PAPER ORIGINAL.  
FORMAT: AUTOCAD



THIS DRAWING IS THE COPYRIGHT AND PROPERTY OF  
**EXHEAT LTD**  
NORFOLK ENGLAND  
BSI  
UKAS  
Certificate No. FM 26078

TITLE	
RFA1-16-FS2-S0 GENERAL ARRANGEMENT DRAWING INDUSTRIAL PRODUCT	
EXHEAT DRAWING NUMBER	REV
001311.01.01	0