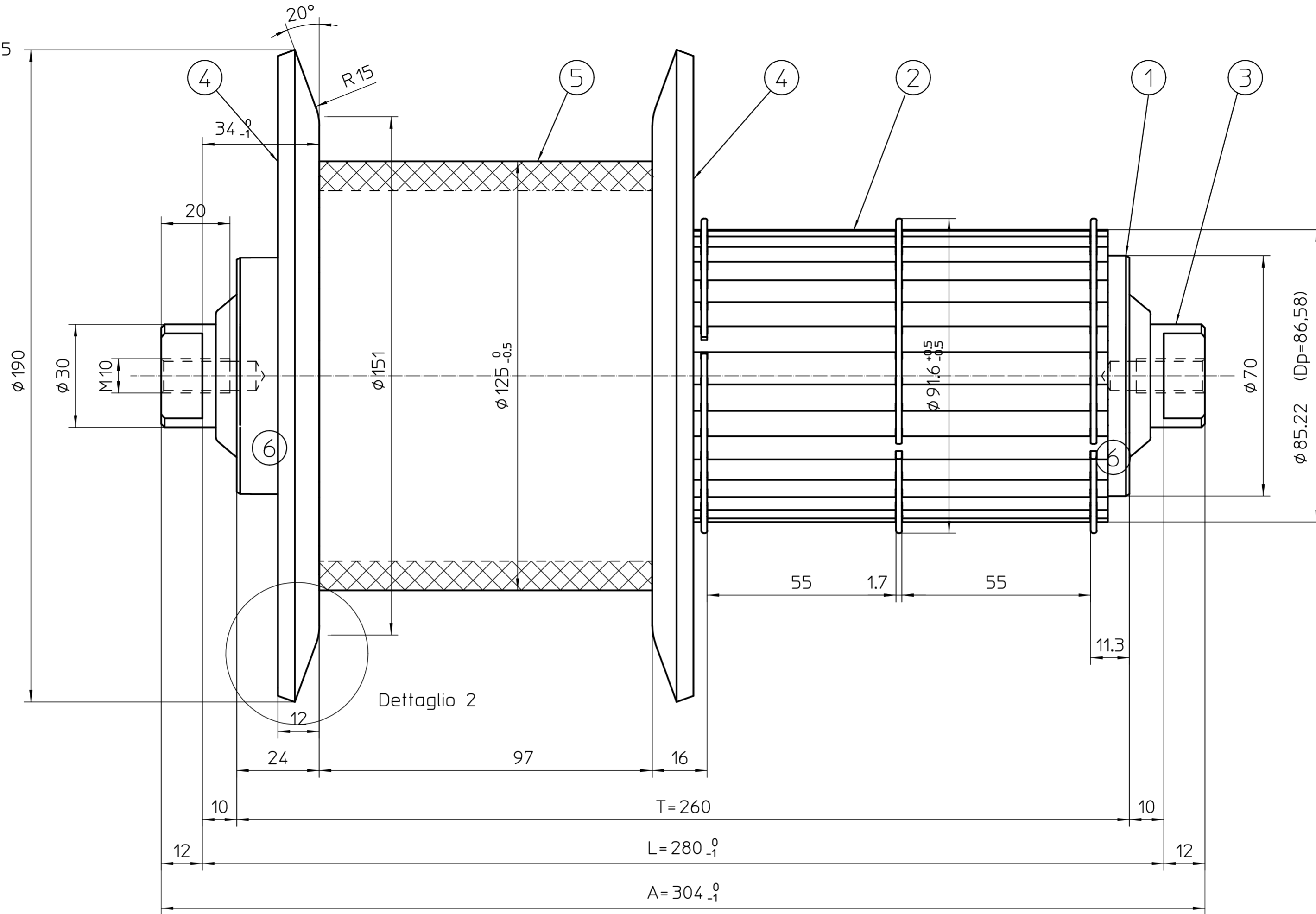


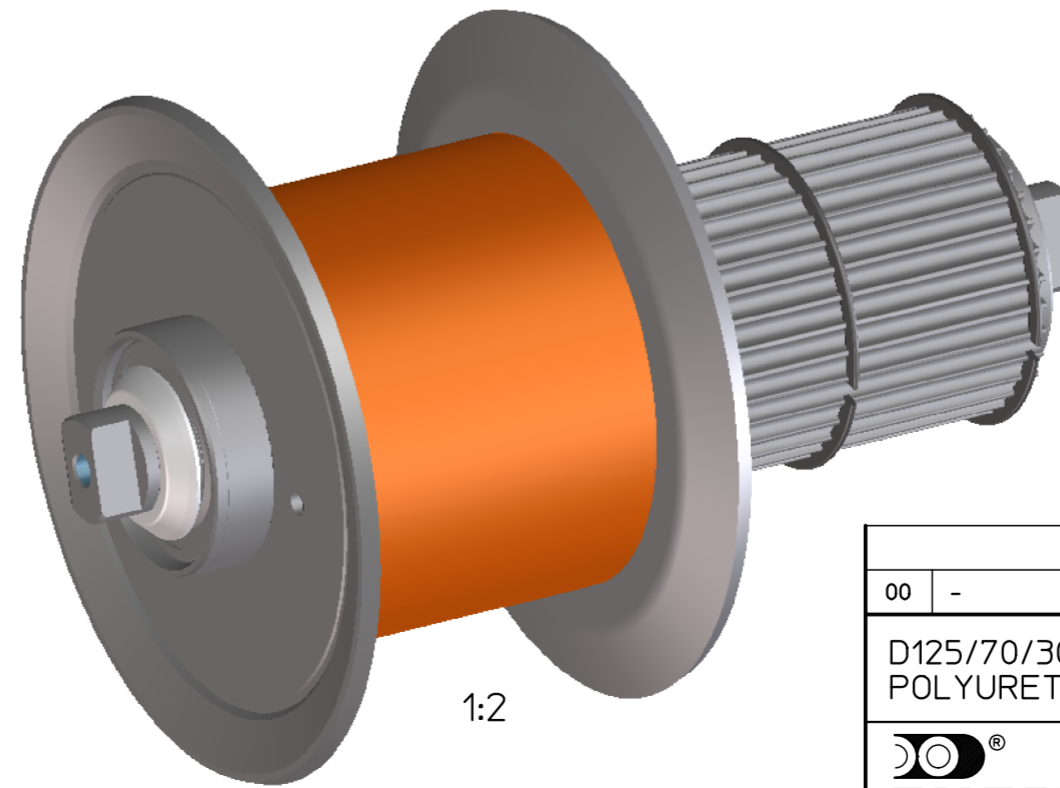
PATENT NR. US9359145
 PATENT pending n. EP2985245



Dettaglio 2
2:1



Carbonitring HRC 50-63



Coating must not have detectable traces of silicone.

1	Tube dia. 70x5 mm EN 10025-S235 or similar/higher.
2	Pulley Z34 HTD 8M-50 Dp=86.58 De=85.22 EN10025-S235 JRG2 and snap rings SP85 DIN 5417 with rounded edge.
3	Axle dia. 30 mm EN 10025-S235 JRG2 with threaded holes M10x20 and milled ends dim. 17x15 mm.
4	Flange dia. 190x6 (hardened) made by EN 10111 DD11 or similar/higher.
5	Polyurethane coating hardness 95 +/-3 Shore A.
6	Single row rigid radial precision bearings type 6206-2RS lifetime lubrication.

DISEGNO CLIENTE

DESCRIZIONE ULTIMA MODIFICA		ESEGUITA	APPROV.
00	-	Rizza	-
DENOMINAZIONE		TOLLERANZE DIM. E FORMA:	
D125/70/30 Z34 HTD8M-50 SINGLE DRIVEN ROLLER		T268-01-00 T268-03-00	
POLYURETHANE COATED - DE190 HARDENED FLANGES		SALDATURE: T287-01-00	
MODIFICHE		DATA	
DIS. Rizza DATA 19/10/16		SCALA 1:1	
CONTR. Rizza APPROV. Pace		FORM. A2	
DIS.N° 329840V		A 13/10/16 3996	
SOSTITUISCE -		00 19/10/16 3996	