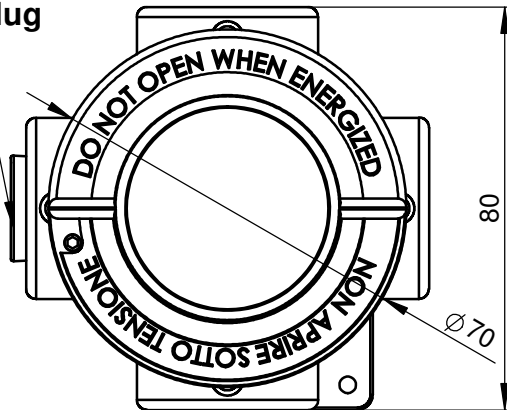
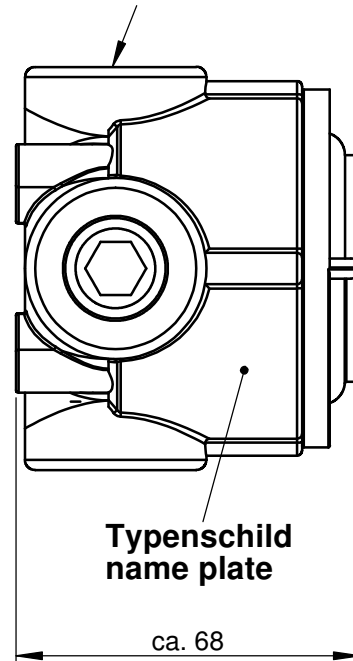


1/2 NPT Stopfen  
1/2 NPT plug

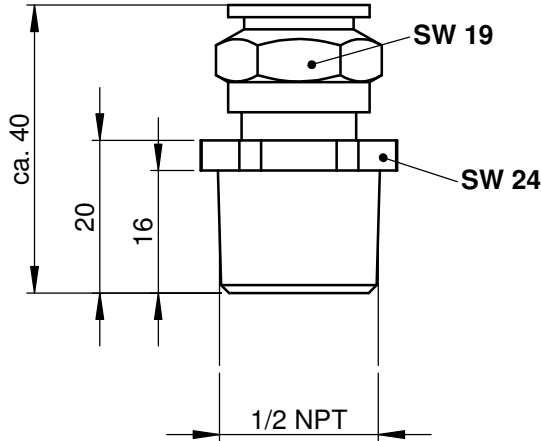


geschlossen  
closed



Material/material: Aluminium/aluminum  
with terminal block (4x2,5mm<sup>2</sup>)  
3x 1/2 NPT

**Ex** II 2GD EEx d IIC T6



Material/material: Messing vernickelt / brass nickel plated  
Kabel-/cable  $\phi$ : 6 ... 12mm

**Ex** II 2GD EEx d IIC T6

Copyright DIN 34			date	name	scale	<b>Barksdale</b> CONTROL PRODUCTS	
general allowance acc. DIN ISO 2768-mK	surfaces acc. DIN EN ISO 1302	drawn	22.02.07	Gottwals	1:2		
		checked			material	-	
		appr.			title		
					EExd Junction box		
					with cable gland		
					drawing number	order	sheet
					<b>923-1533</b>	-	1 von 1
-	NEU		22.02.07	051 PG	Barksdale GmbH Dorn-Assenheimer-Str.27 D61203 Reichelsheim		
rev.	change		date	eco# name			