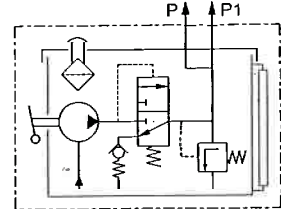
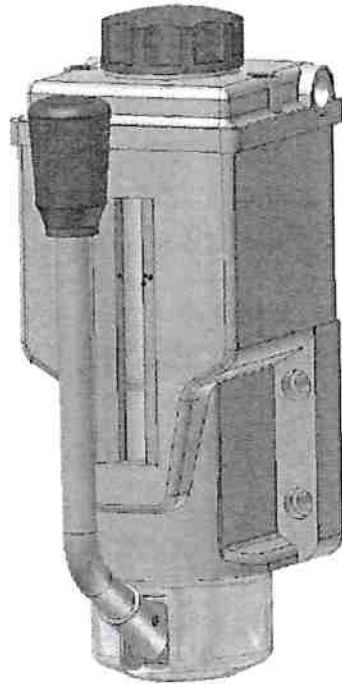


## Piston pump with manual control for single line systems



### Technical data

Flow.....7-15-30 cm<sup>3</sup>/stroke  
 Max. pressure..... 30 bar  
 Relief..... 0,5 ÷ 1 bar  
 Temperature.....-10°C ÷ +80°C  
 Viscosity..... 20 ÷ 3000 cSt  
 Tank capacity.....0,5-1,25 L  
 Material.....cast aluminium

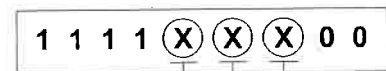
- Visual level in full capacity
- Nylon refill plug-filter

### Pressure limiting valve

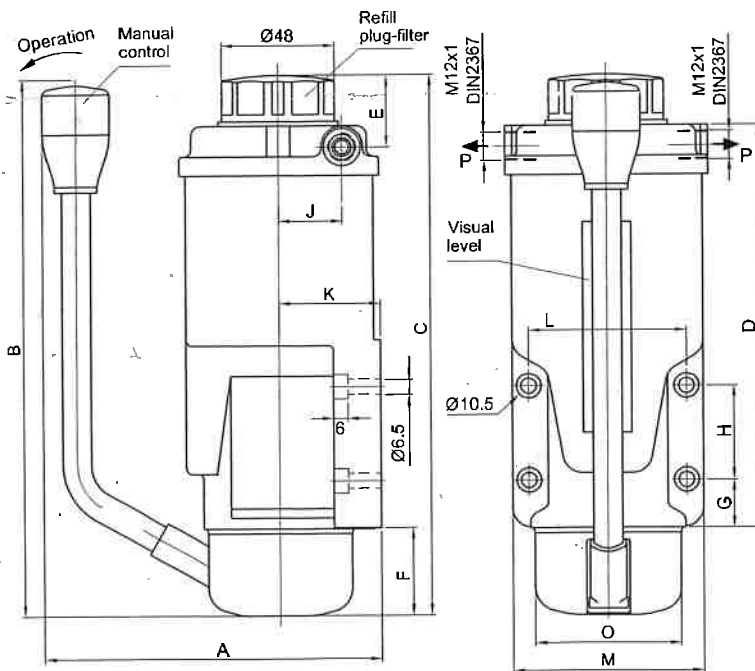
Optional (rated to 25 bar)

This is not indispensable. It is necessary when the nominal consumption of the installation is relatively low therefore the piston has a limited route to build up pressure.

### Never force the hand lever



Flow pump cm <sup>3</sup> /stroke	Press. limit. valve (rated to 25 bar)	Tank capacity
① 7 cm <sup>3</sup>	① Without	① 0,5 L
② 15 cm <sup>3</sup>	⑤ With	⑤ 1,25 L
③ 30 cm <sup>3</sup>	① Without	② 1,25 L
	⑤ With	



### Dimensions

Tank capacity	Flow cm <sup>3</sup> /stroke	A	B	C	D	E	F	G	H	J	K	L	M	∅O
0,5 L	7-15 cm <sup>3</sup>	130	240	232	173	33	37	20	40	27	43	66	80	62
	15-30 cm <sup>3</sup>	156	315	285	215	33	37	22	50	30	53	85	100	62
1,25 L	7-15 cm <sup>3</sup>	156	315	285	215	33	37	22	50	30	53	85	100	62
	30 cm <sup>3</sup>	156	315	285	215	33	50	22	50	30	53	85	100	85