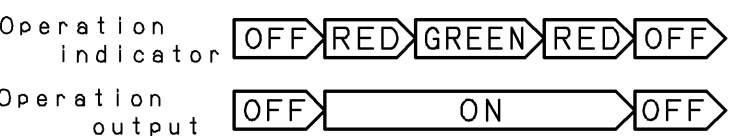
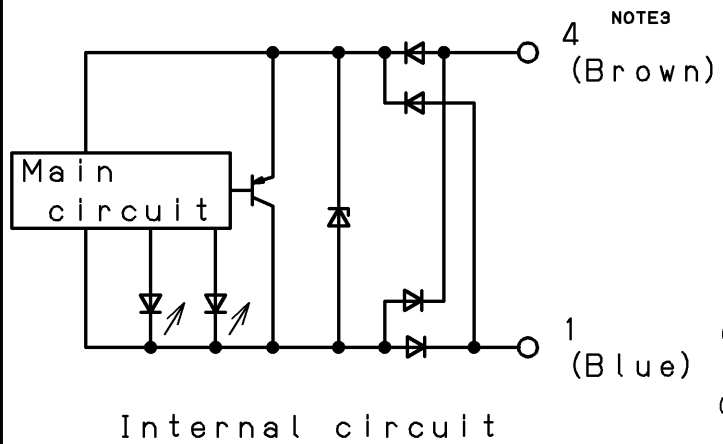
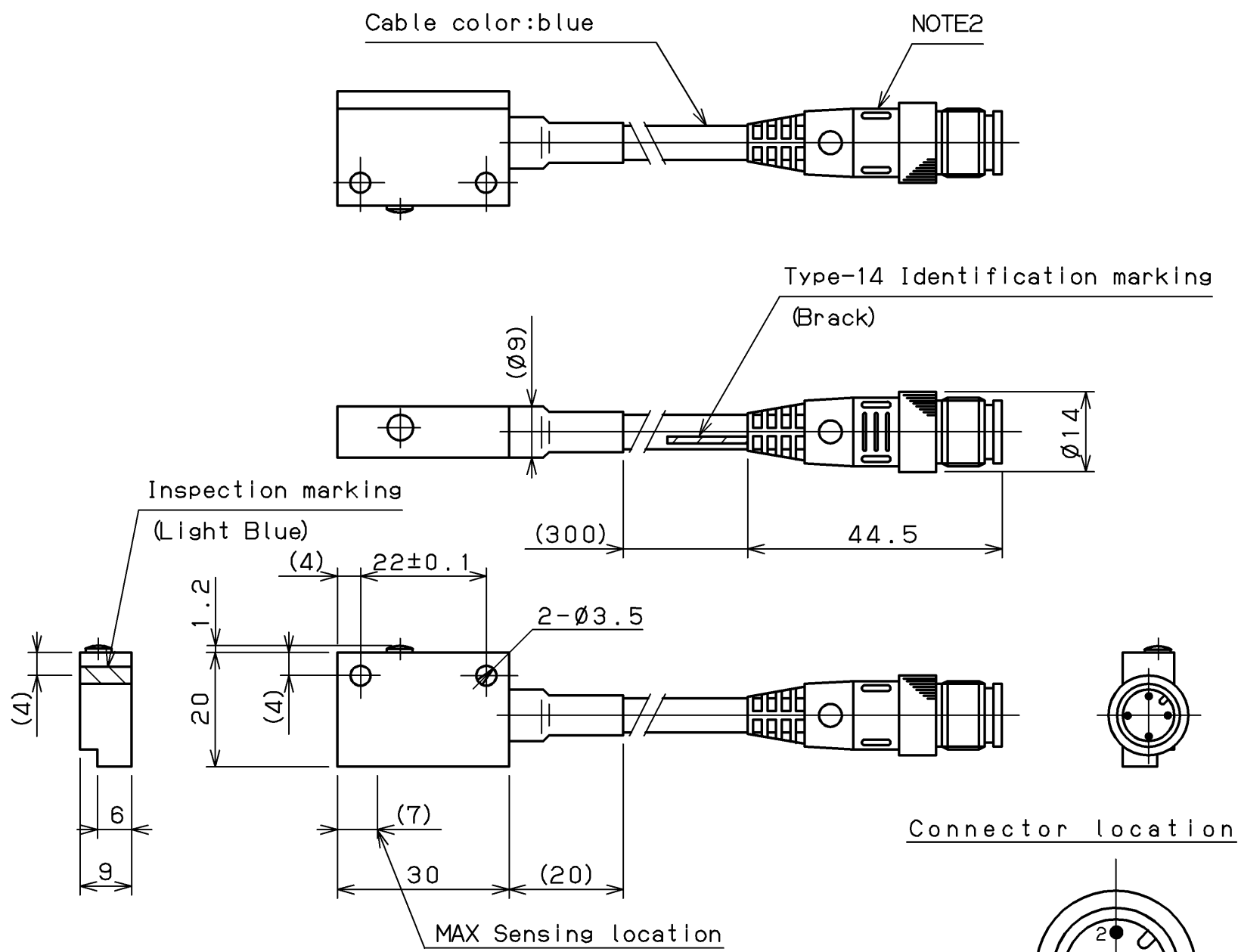


SPECIFICATIONS

Type	ZD136E-14	
Wiring system	Two wire type	
Applicable external magnetic field	AC	
Application load	A relay, programable controller use	
Load voltage	10~28VDC	
Load current	5~50mA	
Internal voltage drop	5.0V MAX (Load current 50mA) ^{NOTE5}	
Leakage current	1.0mA MAX (28VDC)	
Delay time	ON	OFF
	50msMAX 40msTYP 30msMIN	80msMAX 65msTYP 50msMIN
Insulation resistance	100MΩ MIN (500VDC Megger between case and lead wire)	
Withstand voltage	500VAC (50/60Hz) (One minute between case and lead wire)	
Shock resistance	294.2m/s ² (30G) (NO repeated shock)	
Vibration resistance	88.3m/s ² (9G) (Total amplitude 1.5mm 10~55Hz)	
Protective construction	IP67 (IEC standard)	
Indicator lamp	Setting range	Green LED turns on when "ON"
	Unstable range	Red LED turns on when "ON"
Lead wire	0.5sqX2coreX300 ^{NOTE1}	
Temperature range	0~60℃	
Storage temperature range	-10~70℃	
Weight	25g	



- NOTE1: The cable is RVF•UL2464 manufacture by DYDEN Co., Ltd.
 2: The cable connector is VA-4DBX manufacture by CORRENS Co., Ltd.
 3: Pin No.1 on the connector is connected to the blue lead and pin No.4 is connected to the brown read.
 4: This sensor switch has no wrong polarity, plus pole can be connected to the either pin.
 5: Connector only differ from the ZD136E-34 this product
 6: When you use a 12VDC programable controller, exercise care to ON voltage of the controller. Under the influence of internal voltage drop of the sensor switch the controller may not work.

• This product was designed and manufactured as parts for use in general industrial machinery.
 • Before using the product, the system designer or other person with fully adequate knowledge and experience should carefully read the Safety Precautions, Catalog, Instruction Manual and other literature. Making mistakes in handling is dangerous.
 • After reading the Catalog, Instruction Manual, etc, please place them where they can be easily available for reference to users of this product.
 • If transferring or lending the product to another person, attach the Catalog, Instruction Manual, etc to the product body where they are easily visible, in order to ensure that the new user can use the product safely and properly.
 • In addition, always observe the safety rules of ISO 04414 and JIS B 8370. Again, please obey the safety precautions given in the Koganei Catalog.

Operation

普通寸法公差 (削り加工)			
TOLERANCE mm			
寸法	DIMENSION	中級 MEDIUM	粗級 COARSE
0.5 以上	3 以下	±0.1	±0.2
3 以上	6 以下	0.1	0.2
6 以上	30 以下	0.2	0.5
30 以上	120 以下	0.3	0.7
120 以上	400 以下	0.5	1.2
400 以上	1000 以下	0.8	2.0
寸法	DIMENSION	10 以下	10 以上 50 以下
普通角度差	ANGLE	±1°	±30° ±20° ±10°

図面変更 DRAWING CHANGE

承認 APPROVER	検図 CHECKER	設計 DESIGNER	製図 DRAWER	尺度 SCALE	個数 QUANTITY	材質 MATERIAL	三角法 THIRD ANGLE P.
makite	kaneke	kasuga	kasuga	1:1 (A3)	部番 PART NO.	区分 TYPE	OUTLINE DRAWING
製図年月日 DRAWING DATE				AUG. 19 2013		名称 TITLE	
株式会社 コガネイ KOGANEI CORPORATION				図面番号 DRAWING NO.		ZD136E-4XY	
						改訂 REV. 00	