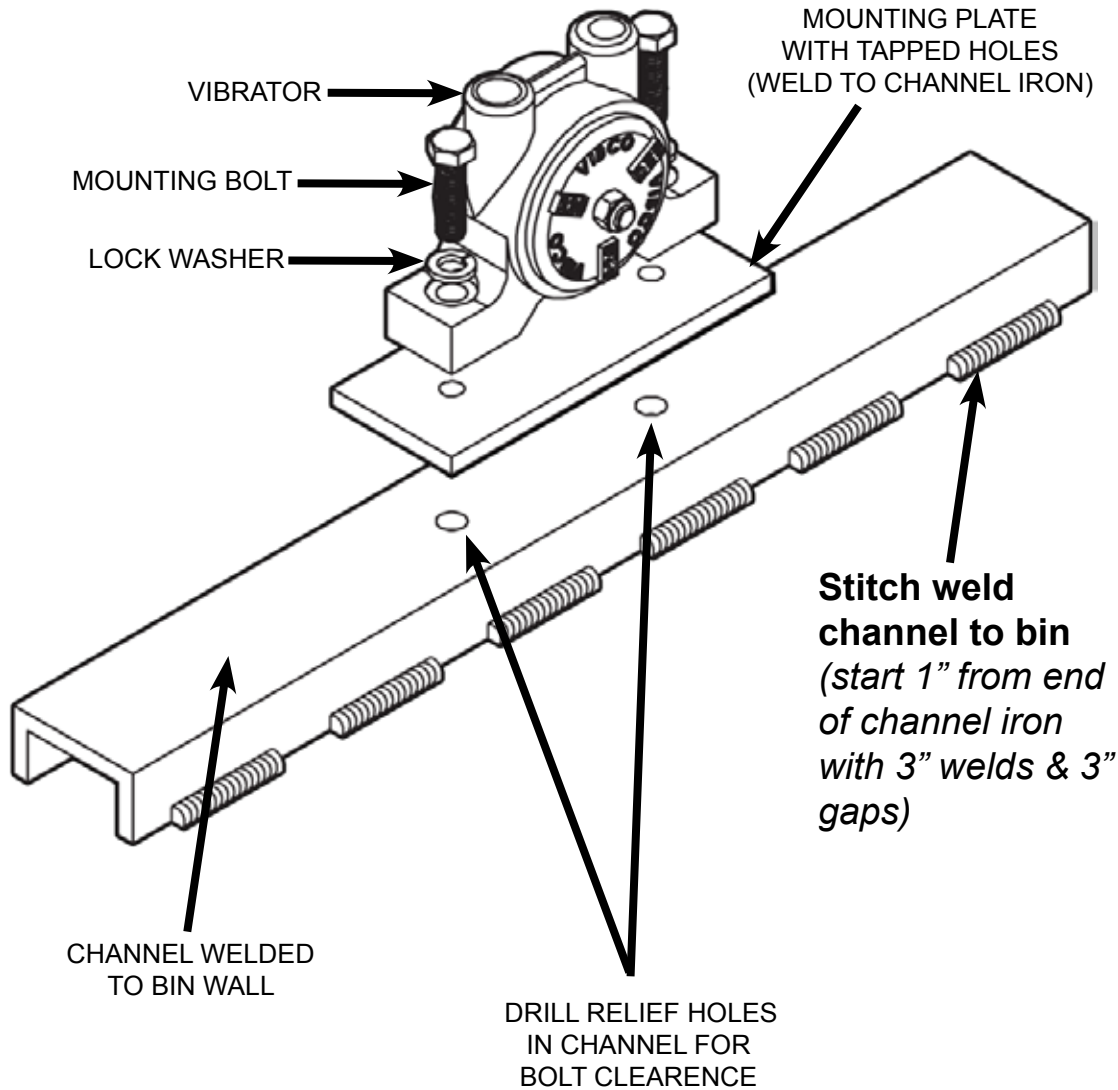


BOLT MOUNT

Support Hotline: [800-633-0032](tel:800-633-0032)
24/7 Mounting & Tech

Pneumatic Ball Vibrators



! Mounting Plate and Channel Iron are each sold separately. Length of mounting channel sized by application requirements and force output of vibrator. Please consult factory to determine channel length if necessary.



** VIBRATOR	BOLT SIZE	BOLT LENGTH	MTG PLATE NO
BV-60	1/4-20	1 - 1/2	BVM-8
BV-130	3/8-16	1 - 5/8	BVM-1
BV-190	3/8-16	1 - 7/16	BVM-2
BV-250	1/2-13	2	BVM-3
BV-320	1/2-13	2 - 1/4	BVM-4
BV-380	5/8-11	2 - 9/16	BVM-5
V-19SE	3/8-16	1 - 7/16	VSM-2
V-25SE	1/2-13	1 - 11/16	VSM-3
V-35SE	1/2-13	1 - 7/8	VSM-3
V-41SE	3/8-16	1 - 3/4	VSM-4
V-100	1/4-20	1 - 3/16	BVM-8
V-130	3/8-16	1 - 5/16	VSM-2
V-190	3/8-16	1 - 7/16	VSM-2
V-250	1/2-13	1 - 11/16	VSM-3
V-320	1/2-13	1 - 7/8	VSM-3
V-380	3/8-16	1 - 3/4	VSM-4



We're The Vibrator Guys.™

NOT TO SCALE

** CLICK on model number for more info!

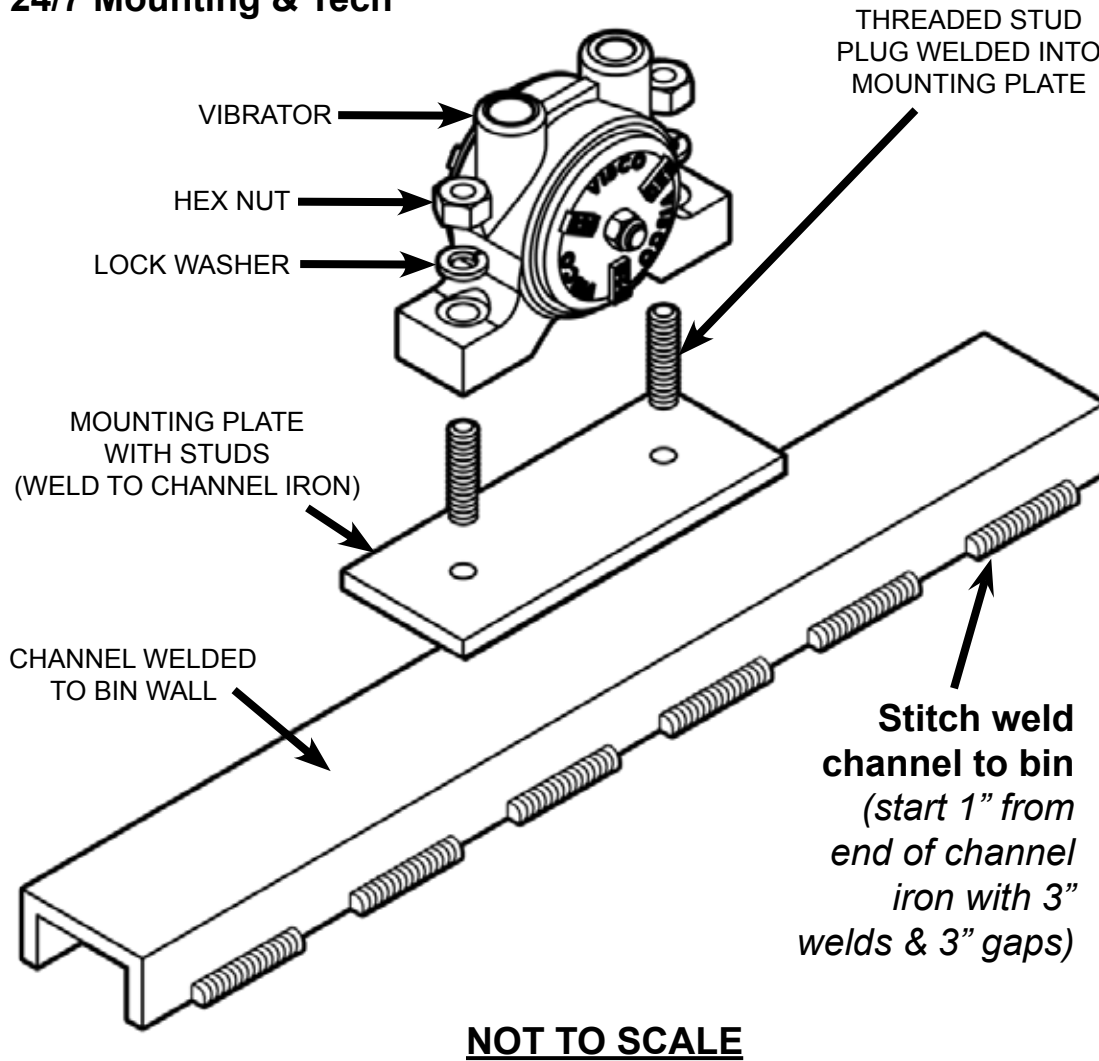
REV-002-13

STUD MOUNT

Support Hotline: [800-633-0032](tel:800-633-0032)

24/7 Mounting & Tech

Pneumatic Ball Vibrators



! Mounting Plate and Channel Iron are each sold separately. Length of mounting channel sized by application requirements and force output of vibrator. Please consult factory to determine channel length if necessary.



** VIBRATOR	STUD SIZE	STUD LENGTH	MTG PLATE NO
BV-60	1/4-20	1 - 1/2	BVM-8
BV-130	3/8-16	1 - 5/8	BVM-1
BV-190	3/8-16	1 - 7/16	BVM-2
BV-250	1/2-13	2	BVM-3
BV-320	1/2-13	2 - 1/4	BVM-4
BV-380	5/8-11	2 - 9/16	BVM-5
V-19SE	3/8-16	1 - 7/16	VSM-2
V-25SE	1/2-13	1 - 11/16	VSM-3
V-35SE	1/2-13	1 - 7/8	VSM-3
V-41SE	3/8-16	1 - 3/4	VSM-4
V-100	1/4-20	1 - 3/16	BVM-8
V-130	3/8-16	1 - 5/16	VSM-2
V-190	3/8-16	1 - 7/16	VSM-2
V-250	1/2-13	1 - 11/16	VSM-3
V-320	1/2-13	1 - 7/8	VSM-3
V-380	3/8-16	1 - 3/4	VSM-4



We're The Vibrator Guys.™

** CLICK on model number for more info!

REV-002-13