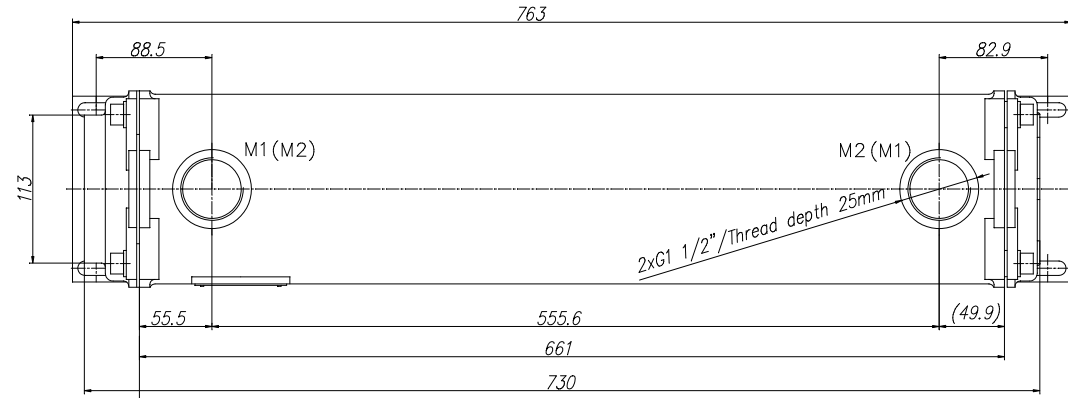
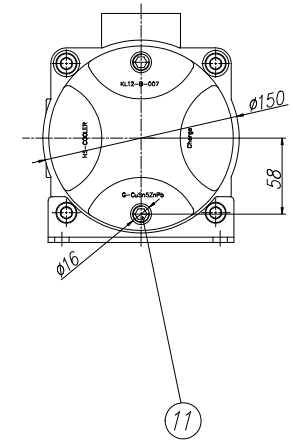
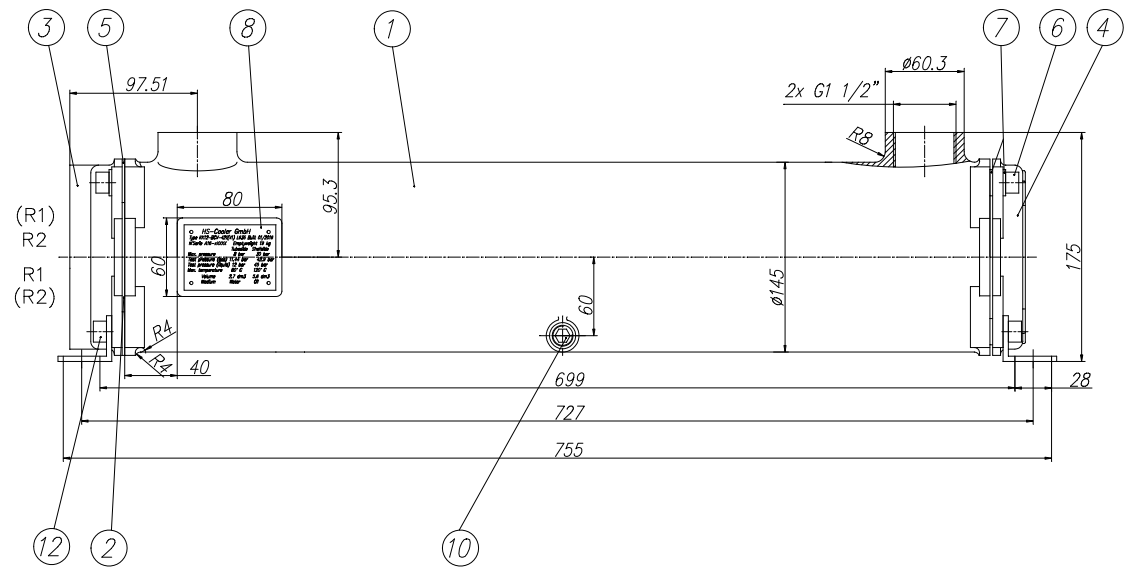
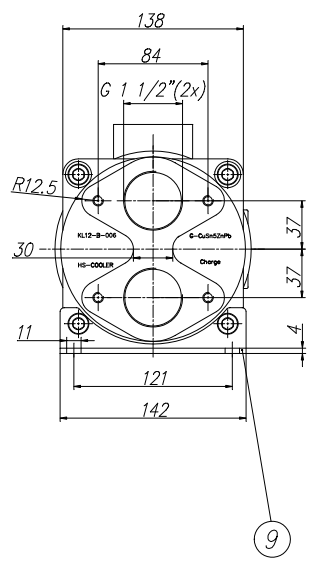


	Shellside	Tubeside
Max. pressure, PS, bar	30	8
Test pressure, PT, bar	42,9	11,44
Max. temperature, TS, °C	120	80
Content	5,6 l	2,7 l
Connection (1=IN/2=OUT)	M1/M2=G 1 1/2"	R1/R2=G 1 1/2"
Medium	*	*
Weight (empty)	* kg	

acc. to data sheet



Required distance to remove the bundle > 691 (removable to both sides)



Materials:  
 Tubes CuNi10Fe1Mn or 1.4404 AD-W2 or Titan Grade 2  
 Tubesheets CuAl10Fe or 1.4301 AD-W2 or Titan Grade 2  
 Bonnets CuSn5ZnPb  
 Shell Aluminium

THIS DRAWING AND ALL THE DATA CONTAINED HEREIN IS THE EXCLUSIVE PROPERTY OF HS-COOLER GMBH AND MAY NOT BE DISCLOSED TO OTHERS WITHOUT WRITTEN CONSENT.				SURFACE QUALITY DIN ISO 1302		GENERAL TOLERANCE ISO 2768-MS ISO 13920-CF		Scale: 1:2	Weight: x kg
DATE	NAME	DATE	NAME	DATE	NAME	DATE	NAME	Material: (-)	Format: A1
15.10.05	Grulich	15.10.05	Grulich					Heat exchanger L6.35	
E	Weight	27.01.17	Y2	CLEAR					
D	Test pressure	20.07.16	Y2	ANCE					
C	Pos. 9 EN 1008	08.03.16	AH						
B	4x M10x35	02.10.15	Y2						
A	Flow direction	09.07.15	AH						
SYM	REV	RECORD	DATE	NAME	HS-COOLER		KK12-B##-#2#(V1)		SHEET 1
							AutoCAD LT 2009		File: KK12-B##-#2#(V1).L635.dwg