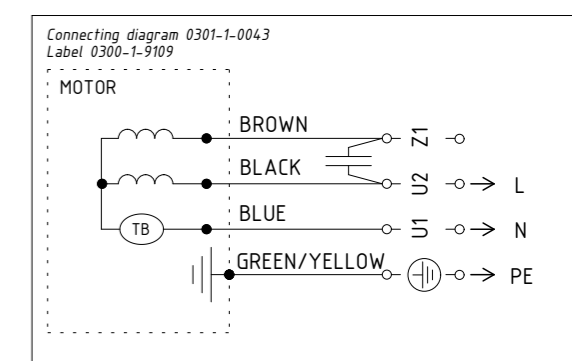
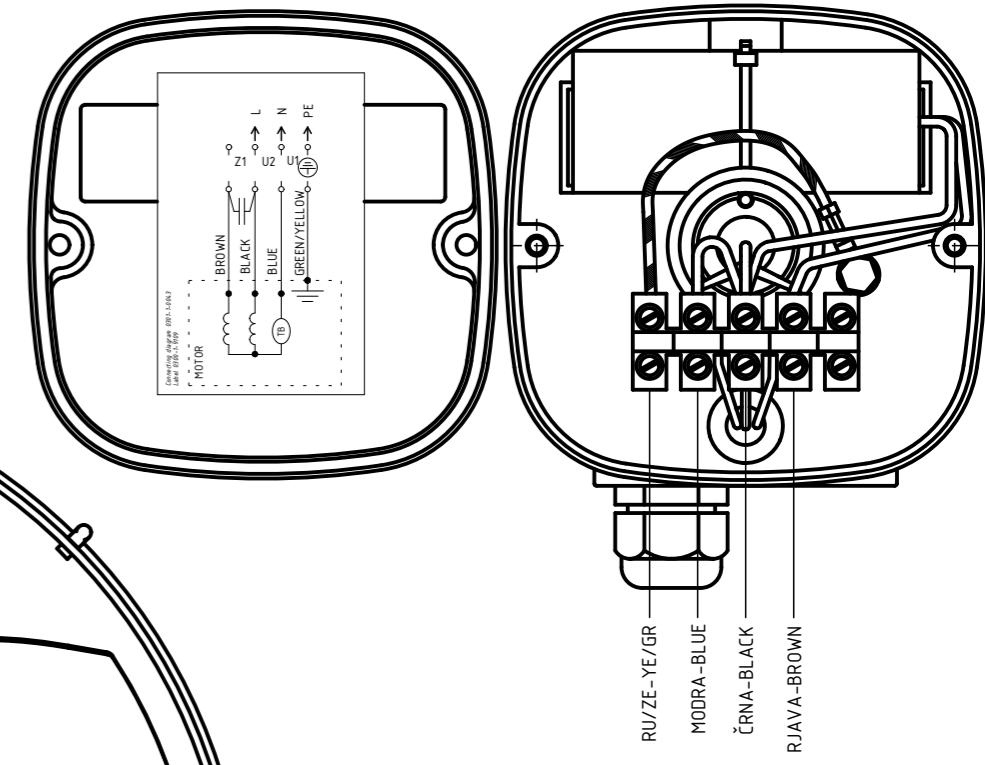
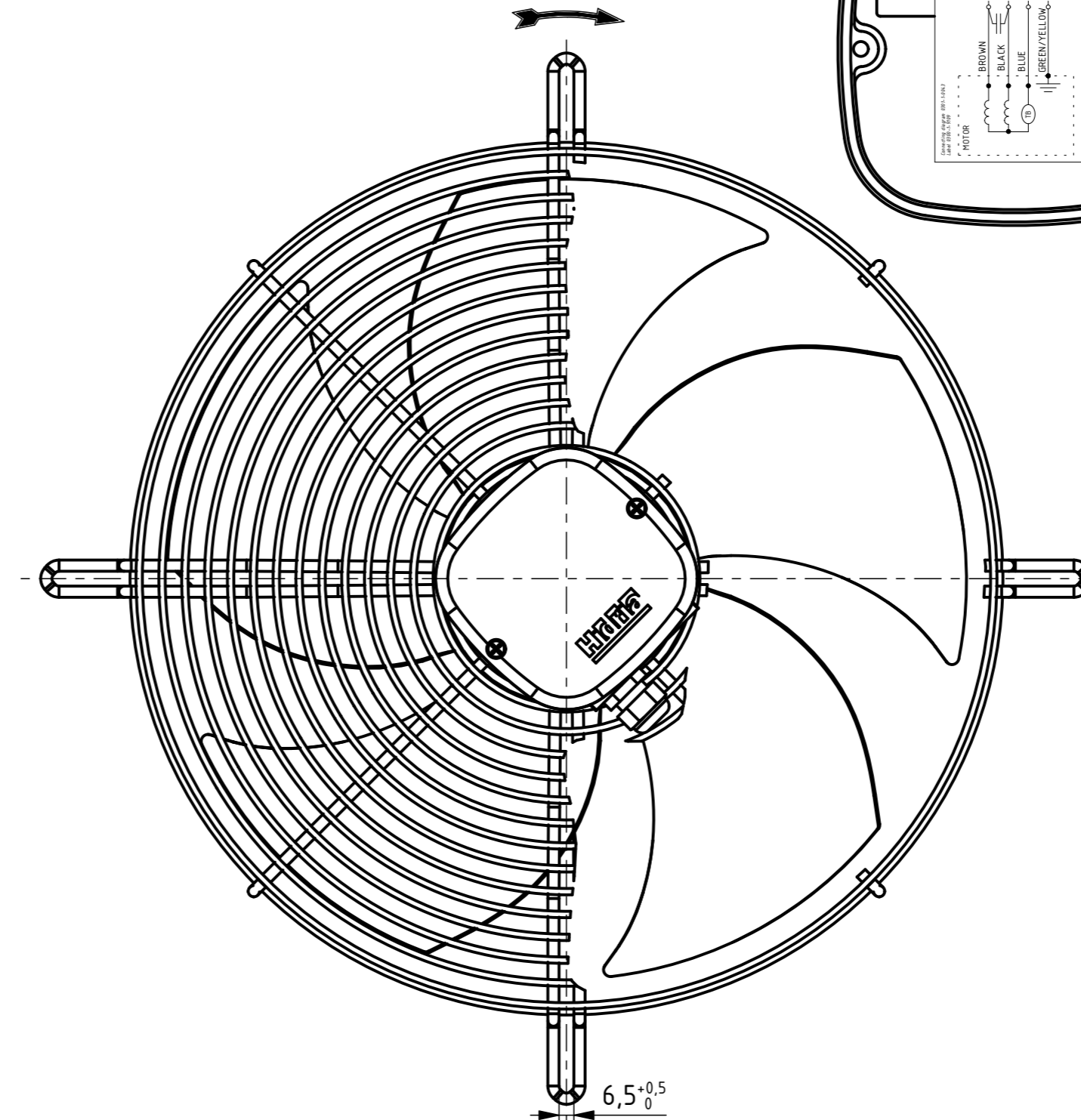
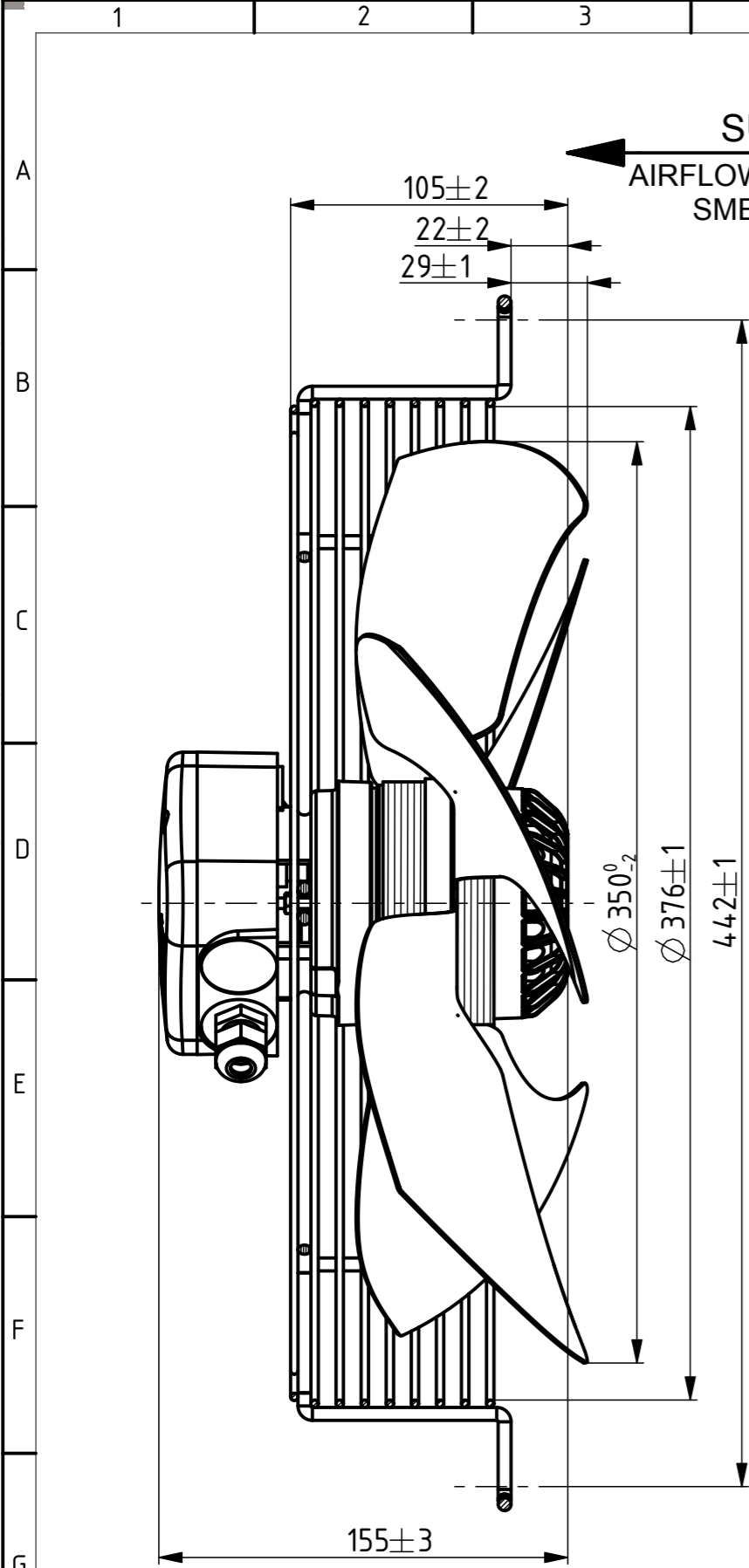


All drawings, regardless of form, are owned by Hidria Rotomatika d.o.o. and are strictly confidential and present copyright. Intellectual Property Rights as follows rights under the laws of patents, petty patents, design patents and registered designs, copyrights, trade secret rights, and similar exclusive rights in industrial property connected with the drawings are reserved by Hidria Rotomatika d.o.o.. Disclosure to any third party is strictly forbidden.



<b>Hidria</b> MADE IN SLOVENIA	<b>CE</b>	DATE
R09R-3530HA-4M-4237		0309-4-1000
1~230V 50Hz 130W 0,60A 1290RPM MAX.AMB.60°C		
1~230V 60Hz 165W 0,72A 1380RPM MAX.AMB.60°C		
IP54 INS.CL.155 C=4µF/450V		
TH.PROT. ROT. ←		
ErP: Effes=29,0% (A,static) N=40,7		

AC	C	Zamenja se stator sestav 0309-2-1321 z statorjem sestavom 0309-2-1907 - ErP2015 ustrezen, 11.09.14	Jure L.
Verzija Artikla:	Verzija risbe:	Opis spremembe:	Datum:
Article revision:	DRW Revision:	Description of change:	Date:
	DATUM/DATE	IME / NAME	POVRŠINSKA OBD. SURFACE TEXTURE
	11.09.2014	Uroš Kunc	
	ODOBRIL / APP:	Laharnar, Jure	MATERIAL
			KODA MATERIALA MATERIAL CODE
			MASA: MASS:
			NETOL. MERE/UNTOL DIM ISO 2768-m
			MERIL/FORMAT 2:5/A3

Potrjeno/Approved		<b>Hidria</b>		NAZIV: TITLE:	
				VENTILATOR	
				R09R-3530HA-4M-4237	
				KODA: CODE:	VERZIJA ARTIKLA: REVISION ARTICLE:
				0309-4-1000	AC
				0309-4-1000	VERZIJA RISBE: DRW REVISION:
					C.2
					1/1

Opomba:

- navodilo za kontrolo ventilatorja 0301-1-4852
- checking instruction 0301-1-4852