

**STANDARD MODEL:**

Packing box in graphite with PTFE seal to avoid galling.  
On request : all PTFE seal.

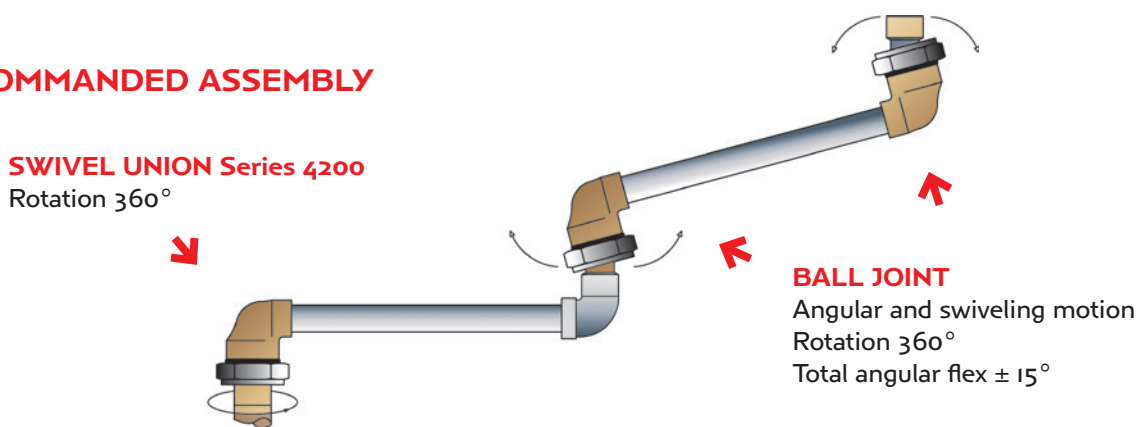
**USE:**

For water, hot water, steam, air, hydrocarbons, vacuum, chemicals, thermic fluids.

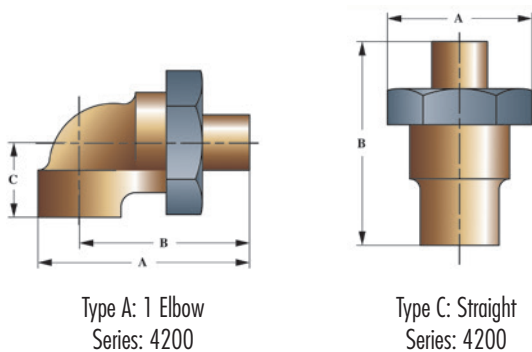
**APPLICATION:**

Heating plate press, laundry equipment, loading arms, coolant lines on rolling mill, oscillating autoclave, spinkler line of machine tools, fuel oil burner feeding.

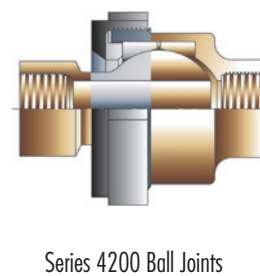
**RECOMMENDED ASSEMBLY**



**2 TYPES OF SWIVEL UNIONS  
2 TYPES OF BALL JOINTS**



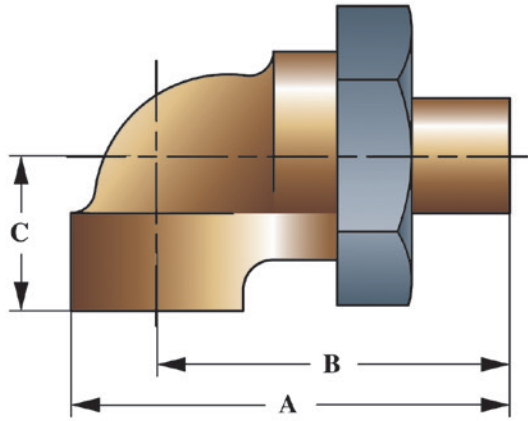
**CUT-AWAY DRAWING MODELS A and C**



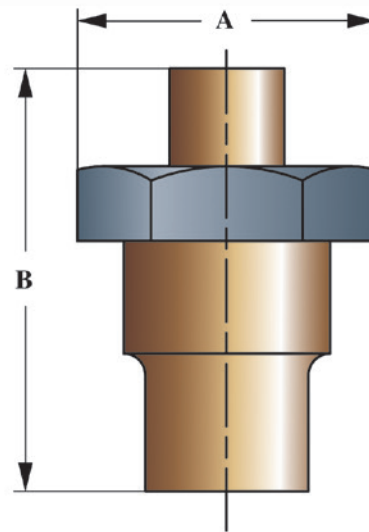
REFERENCES	4200 SERIE
MODEL	Swivel
TYPE	A and C
DIMENSION	DN 1/2 up to 2" (2" 1/2 and 3" on request)
MATERIAL	Bronze / steel nut
STUFFING	GRAPHITE/ PTFE)
THREADED END	Female / Female BSPP
WORKING PRESSURE	Up to 1" : 25 bar > 1" : 12 bar
WORKING TEMPERATURE	225°C Maximum
WORKING CONDITION	Articulated rotation
USE	Steam, water, air gas, hydrocarbons, chemicals hydrocarbons, etc.

**REMARKS:** Full bore to minimize pressure drop. On request, we can supply these couplings in steel for higher pressures and temperatures. (Type C only)

- Swivel joints
- Ball joints with stuffing box



**Type A**  
1 Elbow



**Type C**  
Straight



## Rotary Unions, series 4200

Thread R	Pipe Ø DN	Ref. Nr.	Type A				Type C		
			A	B	C	Kg approx weight	A	B	Kg approx weight
1/2"	15	4221	90	75	27	0.5	52	85	0.5
3/4"	20	4227	101	84	36	0.7	62	90	0.7
1"	26	4234	110	90	41	0.8	68	91	0.8
1" 1/4	33	4242	120	95	45	1.4	86	119	1.3
1" 1/2	40	4249	160	130	52	2.2	105	129	1.9
2"	50	4260	165	130	57	3	112	137	2.7

2" 1/2 ABD 3" on request