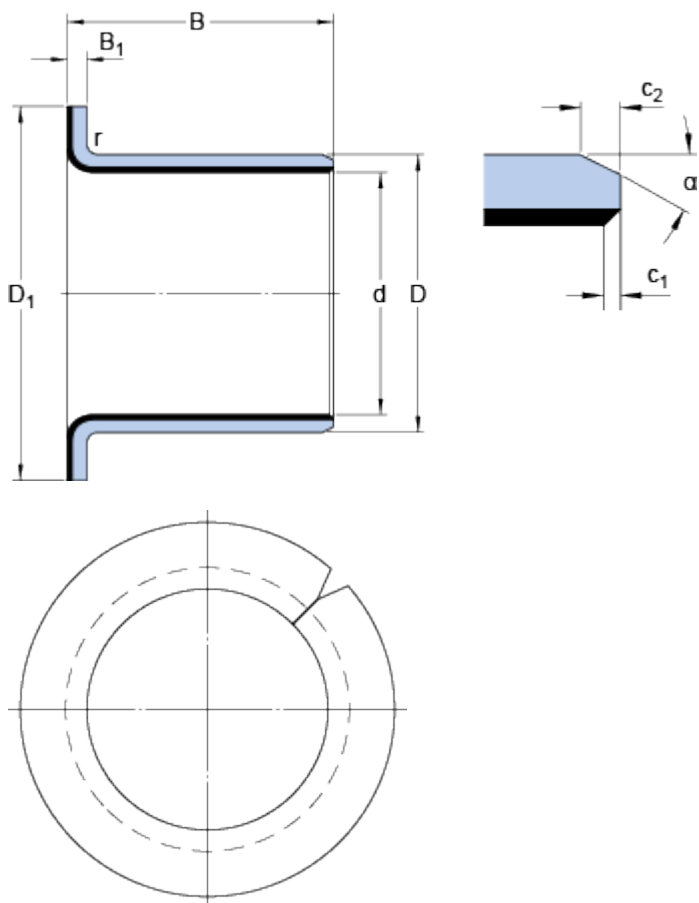


PCMF 081009.5 E

Dimensions



d	8	mm
D	10	mm
B	9.5	mm
D ₁	15	mm
B ₁	1	mm
c ₁	min. 0.1	mm
c ₁	max. 0.6	mm
c ₂	min. 0.2	mm
c ₂	max. 1	mm
α	±8 20	°
r	max. 1	mm

Recommended fits

Tolerance shaft	f7
Tolerance housing	H7

Calculation data

Basic dynamic load rating - radial direction	C	4.8	kN
Basic static load rating - radial direction	C ₀	15	kN
Basic dynamic load rating - axial direction	C _a	5.1	kN
Basic static load rating - axial direction	C _{0a}	16	kN
Specific dynamic load factor	K	80	N/mm ²
Specific static load factor	K ₀	250	N/mm ²
Factor depending on material and bearing type	K _M	480	
Permissible sliding velocity	v	min. 0	m/s
Permissible sliding velocity	v	max. 2	m/s
Coefficient of friction	μ	min. 0.03	
Coefficient of friction	μ	max. 0.25	

Mass

Mass bushing	0.003	kg
--------------	-------	----

