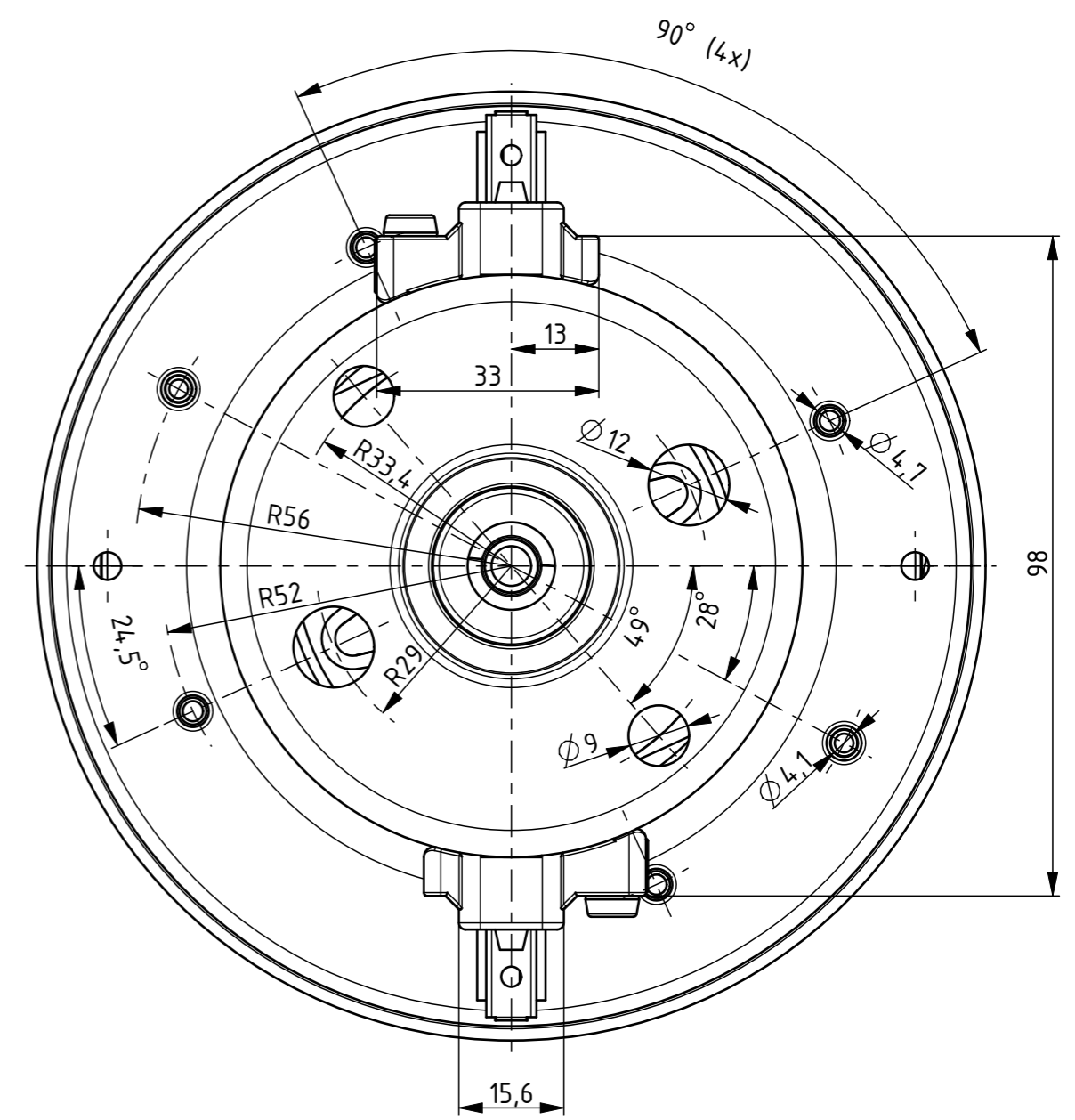
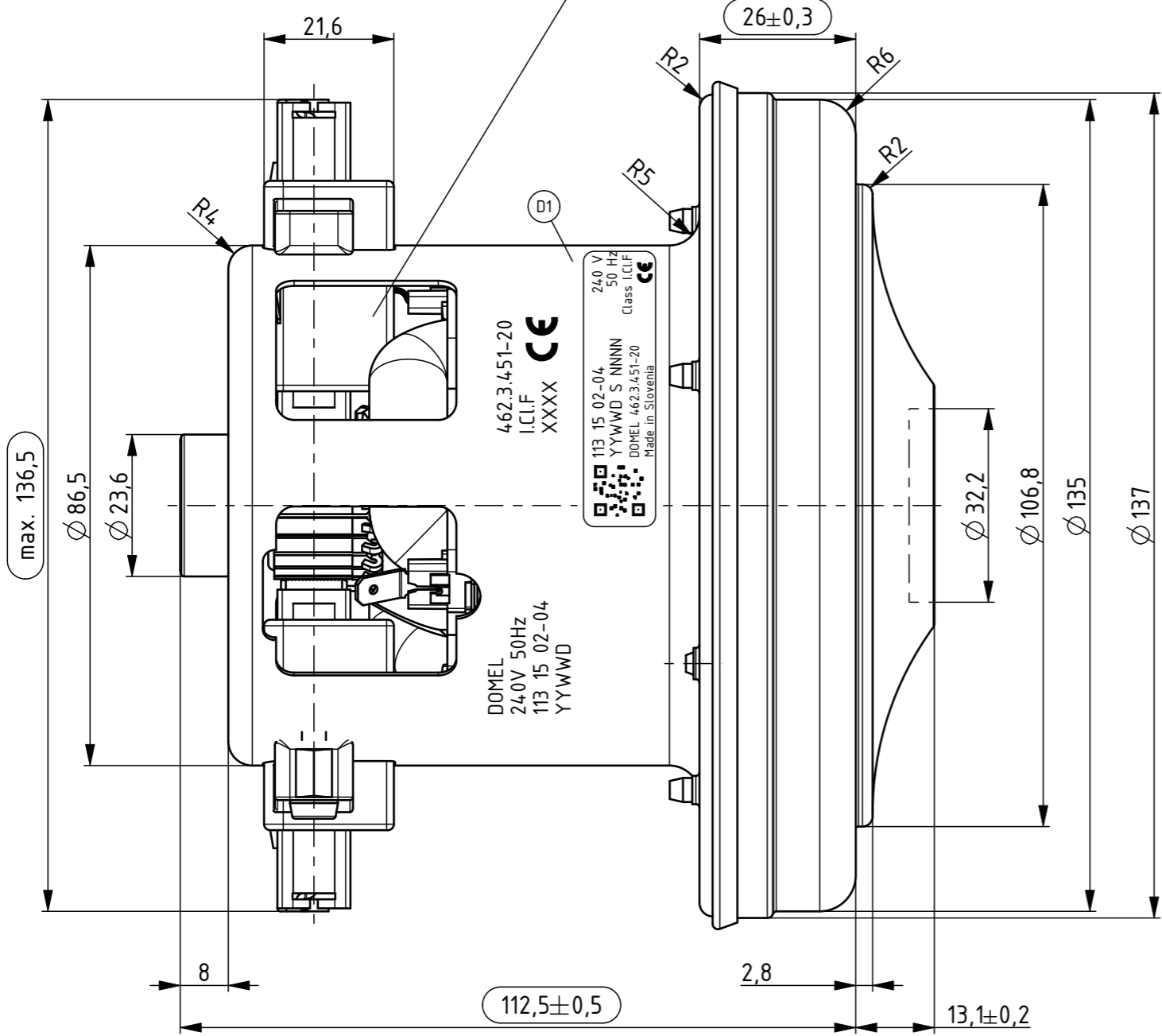


Izdelano s CAD/ProEngineer - ročno spreminjanje ni dovoljeno! Vsak prenos tretjim osebam ali uporaba v nedogovorjene namene ni dovoljena po zakonu o avtorskih pravicah.
 Made with CAD/ProEngineer - changing is not allowed! Any unauthorized copying of this drawing or unauthorized distribution of the information contained herein is prohibited.

NAPETOST	240 V
VOLTAGE	240 V
FREKVENCA	50 Hz
FREQUENCY	50 Hz
NAZIVNA MOČ	1250 W
NOMINAL POWER	1250 W

Temperaturno stikalo
 Thermal switch
 7AM032A5 (125°C ± 5°C)
 Texas Instruments



D2
 Opombe / Remarks
 QR koda / QR code:
 113150204YYWWSN11049251

OSNOVNE ZNAČILNOSTI		TYPICAL CHARACTERISTICS	
IZVEDBA	ENOSTOPENJSKA	FAN SYSTEM	SINGLE STAGE
VLEŽAJENJE	DVA KROGLIČNA LEŽAJA	BEARINGS	DUAL BALL
VRSTA PRETOKA	SKOZI MOTOR	DISCHARGE	THRU FLOW
SMER VR TENJA	DESNA	DIRECTION OF ROTATION	CW

Tolerance odprtih mer Tolerances without individual indications ISO 8015 ISO 2768 - mK				Površinska hrapavost Surface finishing		Merilo Scale 1:1		Original format ISO 5457 - A3	
Datum/Date				Ime/Name		Gradivo / Material			
Izdelal Designed 13.04.04				Pogačnik		Naziv Title SESALNA ENOTA VACUUM CLEANER MOTOR			
Pregl. Verified 04.05.16				J. Rihtaršič		Koda Code 462.3.451-20			
D2	12347	04.05.16	T. Čemažar	Otoki 21, 4228 Železniki, Slovenija		List Sheet 3+ Stran Page 1			
C1	10676	26.03.13	D. Vrhunc						
B1	7197	25.01.05	Pogačnik						
A0	7068	15.09.04	Pogačnik						
Ozn. Mark	Št. obvestila Nr. of notice	Datum Date	Ime Name						