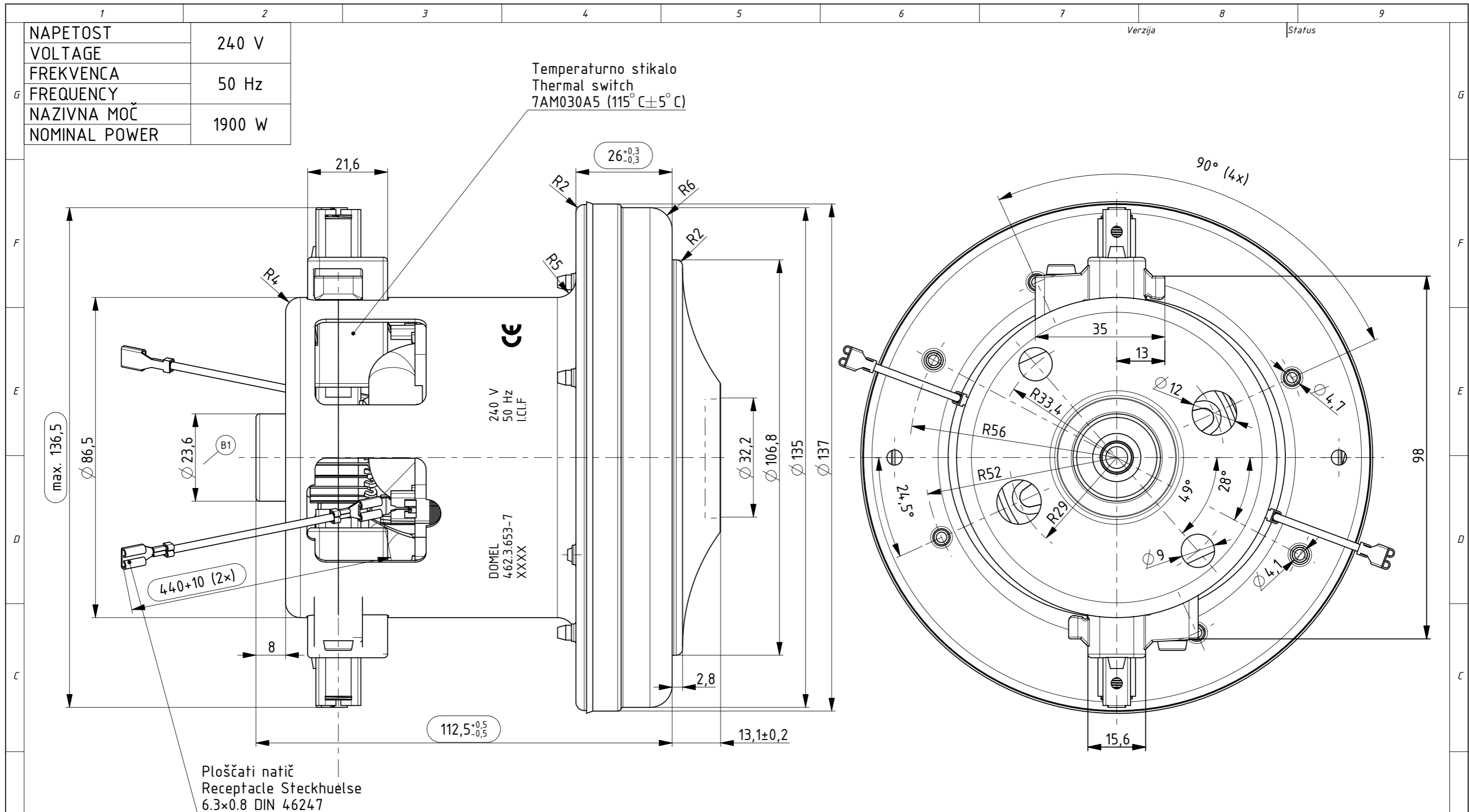


Izdelano s CAD/ProEngineer - ročno spreminjanje ni dovoljeno! Vsak prenos tretjim osebam ali uporaba v nedogovorjene namene ni dovoljena po zakonu o avtorskih pravicah. Made with CAD/ProEngineer - changing is not allowed! Any unauthorized copying of this drawing or unauthorized distribution of the information contained herein is prohibited.



OSNOVNE ZNAČILNOSTI IZVEDBA ENOSTOPENJSKA VLEŽAJENJE DVA KROGLIČNA LEŽAJA VRSTA PRETOKA SKOZI MOTOR SMER VRTENJA DESNA		TYPICAL CHARACTERISTICS FAN SYSTEM SINGLE STAGE BEARINGS DUAL BALL DISCHARGE THRU FLOW DIRECTION OF ROTATION CW	
OSNOVNE ZNAČILNOSTI IZVEDBA ENOSTOPENJSKA VLEŽAJENJE DVA KROGLIČNA LEŽAJA VRSTA PRETOKA SKOZI MOTOR SMER VRTENJA DESNA		TYPICAL CHARACTERISTICS FAN SYSTEM SINGLE STAGE BEARINGS DUAL BALL DISCHARGE THRU FLOW DIRECTION OF ROTATION CW	

Tolerance odprtih mer / Tolerances without individual indications		Površinska hrapavost / Surface finishing		Merilo / Scale	1:1	Original format / Original format	ISO 5457 - A3
ISO 8015		ISO 2768 - mK		Gradivo / Material			
Datum/Date		Ime/Name		Naziv / Title		SESALNA ENOTA / VACUUM CLEANER MOTOR	
Izdelal / Designed		04.03.09 / Novinc M.		Koda / Code		462.3.653-7	
Pregl. / Verified		26.03.13 / J. Rihtaršič		List / Sheet		3+	
Ozn. / Mark		Št. obvestila / Nr. of notice		Datum / Date		Ime / Name	
B1 10676		26.03.13 / D. Vrhunc		DOMEL®		Otoki 21, 4228 Železniki, Slovenija	
A0 8888		05.03.09 / Novinc M.		Koda / Code		4623653007_MKR2653-7	
				Stran / Page		1	