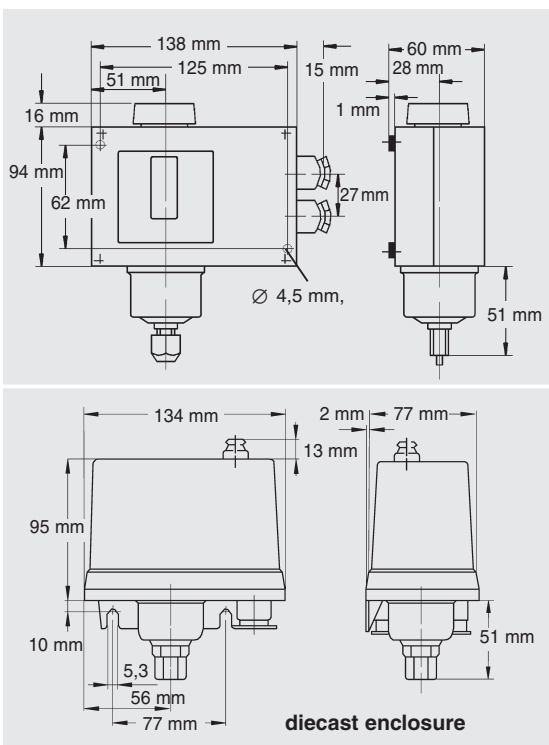


Pressure switch FF 142

2 Change-over contacts, simple installation, easy pressure setting, scale in bar and psi, high repeatability, die cast enclosure



Control pressure switch FF 142-... DAH



Applications

The FF 142 Series is a pressure switch which has been standardized in a wide variety of industrial, commercial and seagoing applications to monitor or control the pressure of liquid or gaseous media.

- Pipelines
- Pressure vessels
- Process technology
- Refrigeration and heating plants
- Pump motors for water supply to dwellings
- Containers
- Apparatus
- Pneumatics and hydraulics
- Lubrication systems

Description

Turning the setting knob Pmax changes the upper switch point. By turning the differential spindle Δp only the lower switch point is adjusted, while the upper setting remains unchanged.

Construction

The standard FF 142 series are fitted in insulation enclosures, made of ABS. Large clear scales ease exact adjustment of upper switch point and switching differential. They are marked both in bar and in psi units. Scales are connected to the frame of the device and remain in place, when the cover is removed. Ample wiring room simplifies wiring.

Types

with Perbunan diaphragm, standard enclosure. Pressure connector: G 3/8" female polyamid. Suitable for oil, water, air etc.

Order reference	Upper switch pt. adjustable (bar)	Pressure diff. adjustable (bar)	Lower switch pt. adjustable (bar)	max. pressure (bar)	Standard setting (bar)	Part No.
FF 142-6 DAH	0,2 ... 1,5	0,12 ... 0,5	0,1	5	1 / 0,8	1050004
FF 142-8 DAH	1 ... 8	0,4 ... 2,4	0,1	10,5	5 / 4	1050003
FF 142-9 DAH	2 ... 21	0,8 ... 6	0,1	25	12 / 10	1050002

Types

Pressure switch with stainless steel bellows, silumin enclosure. Pressure connector: R 1/4" male, stainless-steel.

Order reference	Upper switch pt. adjustable (bar)	Pressure diff. adjustable (bar)	Lower switch pt. adjustable (bar)	max. pressure (bar)	Standard setting (bar)	Part No.
FF 142-3 AAC	-0,4 ... 8	0,6 ... 3	- 1	25	4 / 2	1050001
FF 142-5 AAC	2 ... 22	2 ... 9	0,1	30	16 / 12	1050005
FF 142-10 AAC	5 ... 40	2 ... 10	0,1	50	25 / 21	1050009

Pressure switch FF 142

2 Change-over contacts, simple installation, easy pressure setting, scale in bar and psi, high repeatability, die cast enclosure

Types

Pressure switch with perbunan diaphragm, silumin enclosure

Suitable for oil, water, air etc.

Order reference	Upper switch pt. adjustable	Pressure diff. adjustable	Lower switch pt. adjustable	max. pressure (bar)	Standard setting (bar)	Part No.
FFg 142-6 DAH	0,2 ... 1,5	0,12 ... 0,5	0,1	5	1 / 0,8	1050025
FFg 142-8 DAH	1 ... 8	0,4 ... 2,4	0,1	10,5	5 / 4	1050026
FFg 142-9 DAH	2 ... 21	0,8 ... 6	0,1	25	12 / 10	1050027

Types

Pressure switch with stainless steel bellows, silumin enclosure

Order reference	Upper switch pt. adjustable	Pressure diff. adjustable	Lower switch pt. adjustable	max. pressure (bar)	Standard setting (bar)	Part No.
FFg 142-3 AAC	-0,4 ... 8	0,6 ... 3	- 1	25	4 / 2	1050028
FFg 142-5 AAC	2 ... 22	2 ... 9	0,1	30	16 / 12	1050029
FFg 142-10 AAC	5 ... 40	2 ... 10	0,1	50	25 / 21	1050030

Technical data

Rated operating current at 230 V FF (g) 142... AC 1	16 A
Rated operating current at 230 V FF (g) 142... AC 15	6 A
Rated operating current at 230 V FF (g) 142... DC 13	0,1 A
Rated operating current at 400 V FF (g) 142... AC 1	10 A
Rated operating current at 400 V FF (g) 142... AC 15	4 A

Enclosure	standard	silumin
Protection class acc. to DIN 40050/IEC 529	IP 55	IP 65
Resistance of vibration 10 up to 1000 Hz	4 g	4 g
Ambient temperature range	-50 ... +70 °C	-50 ... +70 °C
Ambient temperature range with Perbunan diaphragm	-30 ... +70 °C	-30 ... +70 °C
Contacts	2 Change-over contacts (SPDT)	2 Change-over contacts (SPDT)
Weight	~800 g	~1200 g

Pressure switch FF 142

2 Change-over contacts, simple installation, easy pressure setting, scale in bar and psi, high repeatability, die cast enclosure

Media compatibility guide

Medium name	Chemical Formula	Stainless steel	Perbunan
Acetone	CH ₃ COCH ₃	X	
Acetylene	HC = CH	X	X
Air	-	X	X
Benzene	Sulphur-free	X	
Butane	C ₄ H ₁₀	X	X
Butyl acetate	CH ₃ COOC ₄ H ₉	X	
Butyl alcohol	CH ₃ -CH ₂ -CH ₂ -CH ₂ -OH	X	
Carbon dioxide	CO ₂	X	X
Carbonic acid	H ₂ CO ₃	X	X
Chlorine	Cl ₂		
Crude oil	-	X	X
Diesel oil	See fuels	X	X
Ethyl acetate	CH ₃ OOOC ₂ H ₅	X	
Fuels	Diesel oil,	X	X
	Leaded petrol	X	X
	Benzene	X	
Glycerine	CH ₂ OH-CHOH-CH ₂ OH	X	X
Glycol	CH ₂ OH-CH ₂ OH	X	X
Heating fuel oil	See also oils	X	X
Hydrogen	H ₂	X	X
Inert gases	-	X	
Methanol	CH ₃ OH	X	
Methyl chloride	CH ₃ Cl	X	
Natural gas	-	X	X
Nitrogen	N ₂	X	X
Oils	Mineral	X	X
Oils	Vegetable	X	X
Oxygen	O ₂	X	
Ozone	-	X	
Perchlorethylene	CCl ₂ =CCL ₂	X	
Petrol	All types	X	
Phenolic acid	C ₆ H ₅ (OH)	X	
Sulphar dioxide	SO ₂	X	
Toluene (Metyl benzene)	C ₆ H ₅ CH ₃	X	
Trichlorethene	CHCl=CCl ₂	X	
Water	Steam / vapor	X	X
Water	Distilled, de-aerated	X	X
Water	Sea water	X	X
Xylene	C ₆ H ₄ (CH ₃) ₂	X	

X = recommended

Accessories

Order reference	Description	Weight (g)	Part No.
H 124-114	Glands		
H 124g-127	Steel gauge fitting, G 3/8" - G 1/2"	180	1051004
	Console	115	1051006

