



- A PART OF ADDTECH GROUP

DATA SHEET

Customer:	
Ref.:	
Order:	
Motor:	
Serial nr:	
Date:	13-08-2018

ASYNCHRONOUS MOTOR 4A 112M-8

Nameplate data:

Code: 113770

Type:	4A 112M-8			IP55	F/B	Amb. temp.: Max. 40°		
kW	Hz	V	A	Rpm	Cos	Eff. 100%	Duty	IE.class
1,50	50	220-240 D	7,34	690	0,7	74,0%	S1	IE1-(Eff2)
1,50	50	380-415 Y	4,22	690	0,7	74,0%		
1,80	60	440-480 Y	4,40	828	0,7	74,0%		

Description:

Mounting form:	B3
Bearing DE:	6306-2Z/C3
Bearing NDE:	6306-2Z/C3
Weight - Kg.:	28
Heater:	No Heater
PTC:	No PTC
Kgm ² :	0,0245
Sound press.-db(A):	55,0

Other:

Test data S1-duty, Amb.temp 40°C:

Voltage - V:	400
Frequency - Hz:	50
Power - kW:	1,50
Full load speed - Rpm:	690
Full load current - A:	4,22
Full load power factor - Cos:	0,7
Locked rotor current - A:	21,1
Locked rotor factor - A _{st} /A _n :	5,0

Efficiency 100% load - %:	74,0%
Efficiency 75% load - %:	
Efficiency 50% load - %:	
Full load torque - Nm:	20,8
Locked rotor torque - Nm:	41,5
Locked rotor torque - Nm _{st} /Nm _n :	2,0
Max. Pull out torque - Nm:	37,4
Max. Pull out torque. - Nm _{st} /Nm _n :	1,8

Over load/speed test	kW	Hz	V	A	Rpm
Over load 160% - 15sec.	2,40	50	400	6,75	690
Over speed 125% - 2 min.	1,5	63	400	4,22	863
H-Pot test voltage: 1800V			Temp. rise in stator:		

The motor is produced in accordance with following harmonized standards:

IEC60034-1, IEC60034-2, IEC60034-5, IEC60034-6, IEC60034-7, IEC60034-8, IEC60034-9
IEC60034-12, IEC60034-14, IEC60034-30, IEC60072.

Additional specifications in accordance with:

RINA - GL - LRS - BV - DNV - ABS - KR - RR - CCS - CCC - RMRS.

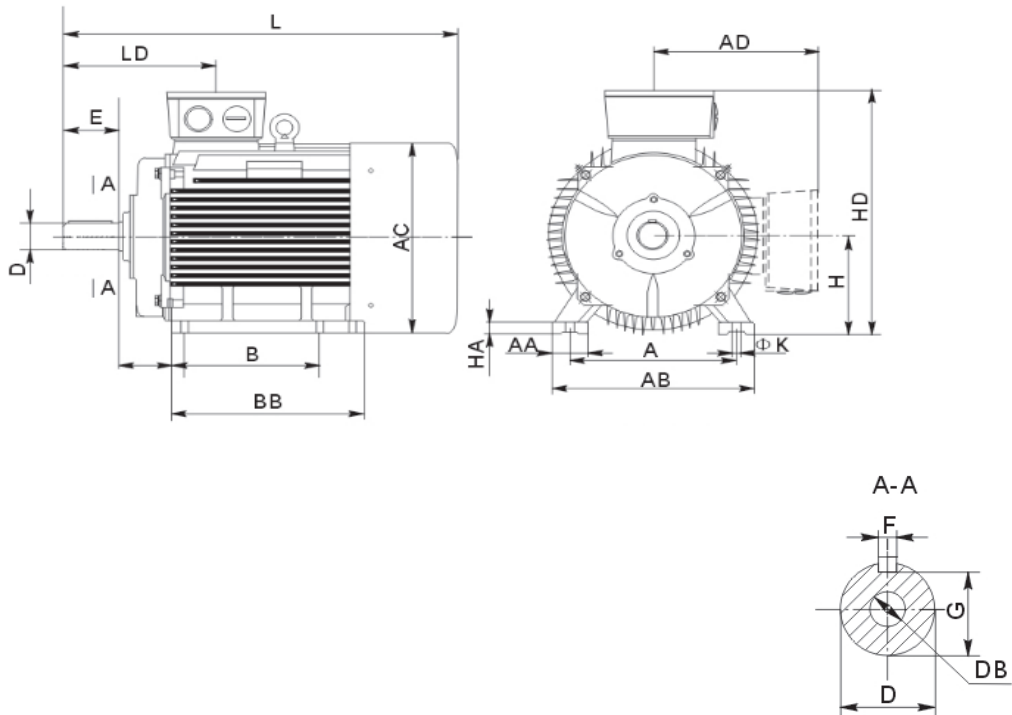


- A PART OF ADDTECH GROUP

DATA SHEET

Customer:	
Ref.:	
Order:	
Motor:	
Serial nr:	
Date:	13-08-2018

Foot mounted motor 4A 112M-8 B3



A: 190	HD: 290	E: 60
B: 140	C: 70	D: 28
AB: 230	H: 112	G: 24
AC: 240	K: 12	DB: M10
AD: 178	L: 400	F: 8
	L (V1): 450	

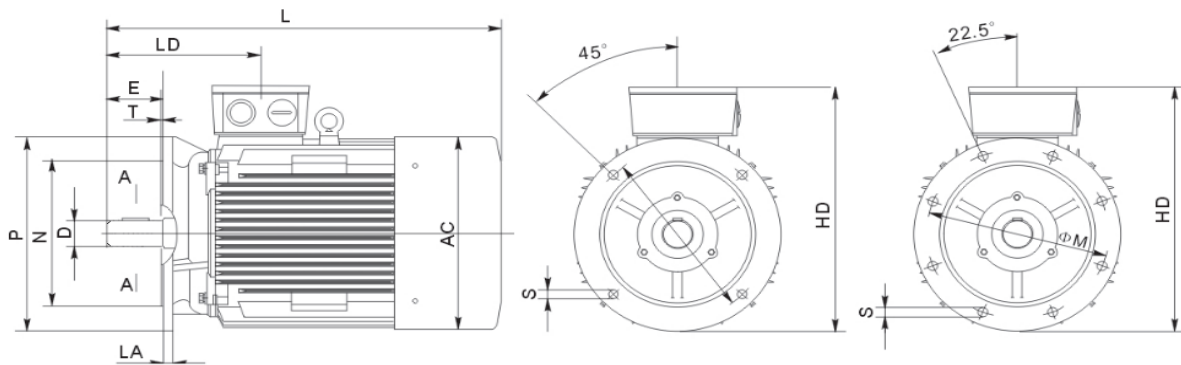


- A PART OF ADDTECH GROUP

DATA SHEET

Customer:	
Ref.:	
Order:	
Motor:	
Serial nr:	
Date:	13-08-2018

Flange mounted motor 4A 112M-8 B5 (V1)



M: 215
N: 180
P: 250
S: 15

HD: 290
L: 400
L (V1): 450

E: 60
D: 28
G: 24
DB: M10
F: 8

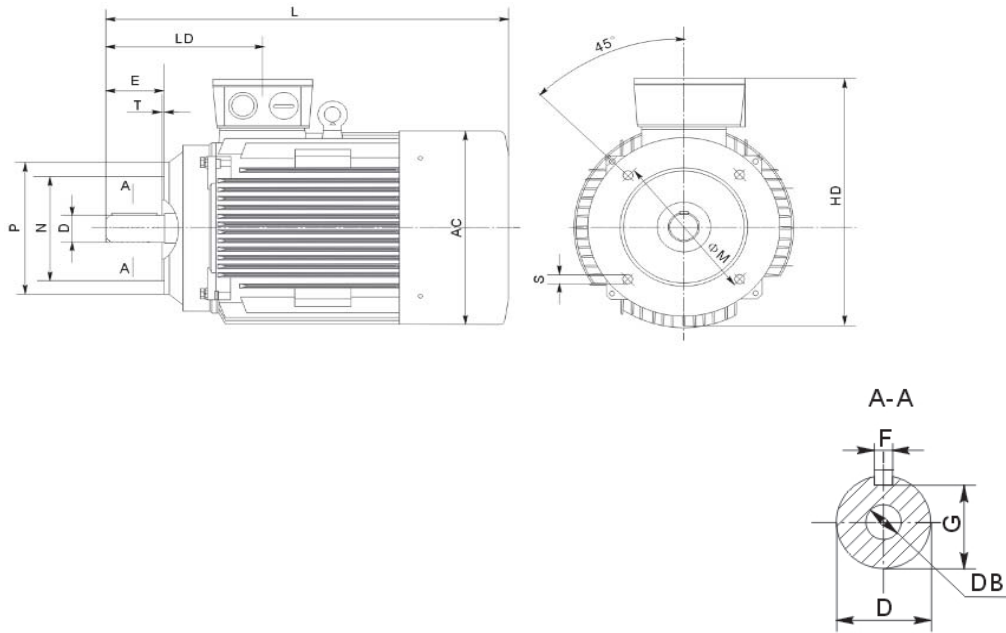


- A PART OF ADDTECH GROUP

DATA SHEET

Customer:	
Ref.:	
Order:	
Motor:	
Serial nr:	
Date:	13-08-2018

Flange mounted motor B14A & B14B



Flange type: B14A	B14B		
M: 130	165	HD: 290	E: 60
N: 110	130	L: 400	D: 28
P: 160	200	L (V1): 450	G: 24
S: M8	M10		DB: M10
			F: 8

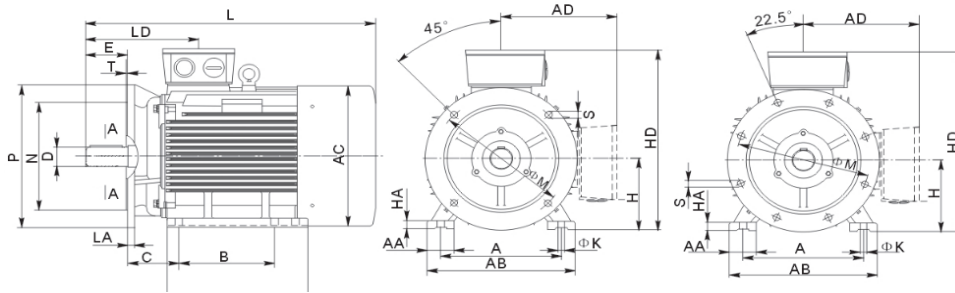


- A PART OF ADDTECH GROUP

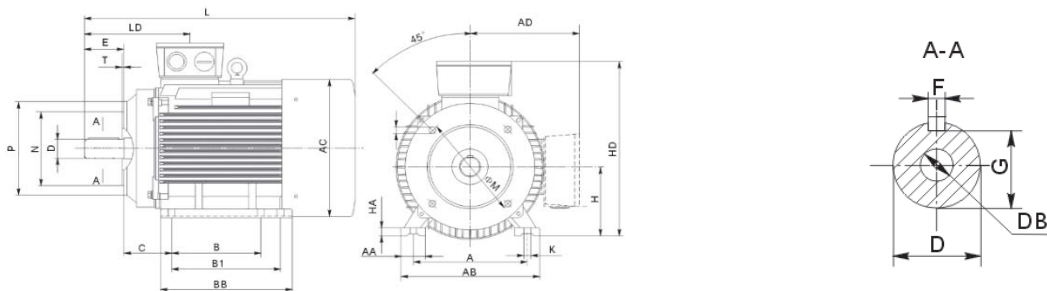
DATA SHEET

Customer:	
Ref.:	
Order:	
Motor:	
Serial nr:	
Date:	13-08-2018

Foot & flange mounted motor B3/B5



B3/B14A & B3/B14B



Flange type: B5

M: 215
N: 180
P: 250
S: 15

A: 190
B: 140
AB: 230
AC: 240
AD: 178

B14A

M: 130
N: 110
P: 160
S: M8

HD: 290
C: 70
H: 112
K: 12
L: 400

L (V1): 450

B14B

M: 165
N: 130
P: 200
S: M10

E: 60
D: 28
G: 24
DB: M10
F: 8