

5.0 Chain wheels

5.1 Chain wheel with projecting teeth, steel, replaceable toothed rim, type VIA and VIA-C

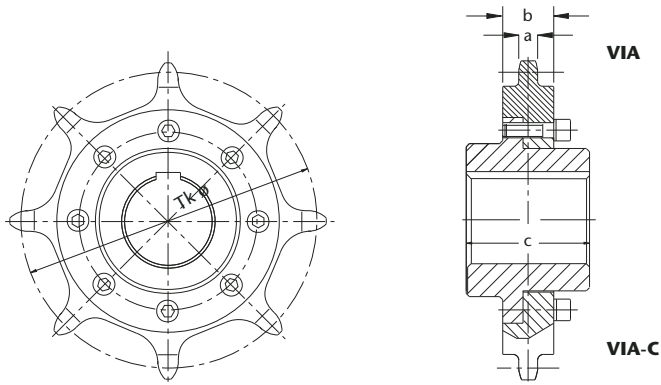


Figure 40:
HEKO chain wheel with projecting teeth, replaceable steel rim, type VIA or VIA-C with chamfered teeth and drop-outs

HEKO chain wheels, with projecting teeth and replaceable rims

- Wheels for chains to DIN and other standards
- Hubs from mild steel with CrMo steel rim

HEKO chain wheels type VIA provide two primary advantages: they achieve a high service life; they are simple and easy to fit and thus reduce the cost of replacement. The wheels with projecting teeth and replaceable rims are recommended for chain pitches $\geq 3.5 \times d$. The chain contact surfaces are hardened to minimise wear. As the teeth push through the link, a self-cleaning effect results which also prevents a build-up between chain and wheel. Teeth are also supplied chamfered, on request, for applications with sticky materials. Replaceable segments have the advantage that they can be exchanged without removing the hub which results in reduced downtime. HEKO chain wheels type VIA are suitable for special attachments, horizontal shackles to DIN, TS-shackle and push-in scraper bars. Wheel dimensions can also be tailored to suit existing installations.

Assembly instruction

Information regarding markings and assembly of the chain wheels are provided on page 33.

Table 17: Sizes of HEKO chain wheels, projecting teeth, steel, replaceable rim, type VIA/VIA-C

pitch circle diameter mm, TkØ	to suit chain, nominal diameter x pitch, d x t/mm	DIN	number of teeth	dimensions/mm			weight kg/each
				a	b	c	
179	10 x 35	764	8	11,5	34	60	4
202	10 x 35	764	9	11,5	34	60	7
224	10 x 35	764	10	11,5	34	60	8
231	13 x 45	764	8	15	45	100	10
259	13 x 45	764	9	15	45	100	16
288	13 x 45	764	10	15	45	100	18
256	14 x 50	WN/22252	8	15	45	100	16
288	14 x 50	WN/22252	9	15	45	100	16
320	14 x 50	WN/22252	10	15	45	100	22
287	16 x 56	764	8	18	50	100	18
323	16 x 56	764	9	18	50	100	25
247	16 x 64	WN	6	18	50	100	14
328	16 x 64	WN	8	18	50	100	28
369	16 x 64	WN	9	18	50	100	32
409	16 x 64	WN	10	18	50	100	38
243	18 x 63	764	6	20	55	120	10
283	18 x 63	764	7	20	55	120	17
323	18 x 63	764	8	20	55	120	22
363	18 x 63	764	9	20	55	120	31
384	19 x 75	WN/22252	8	20	60	140	28
479	19 x 75	WN/22252	10	20	60	140	41
574	19 x 75	WN/22252	12	20	60	140	56
315	20 x 70	764	7	23	60	140	27
359	20 x 70	764	8	23	60	140	38
403	20 x 70	764	9	23	60	140	50
332	22 x 86	WN/22252	6	23	69	140	35
386	22 x 86	WN/22252	7	23	69	140	45
441	22 x 86	WN/22252	8	23	69	140	55
550	22 x 86	WN/22252	10	23	69	140	80

Other dimensions and qualities on request, WN = works standard