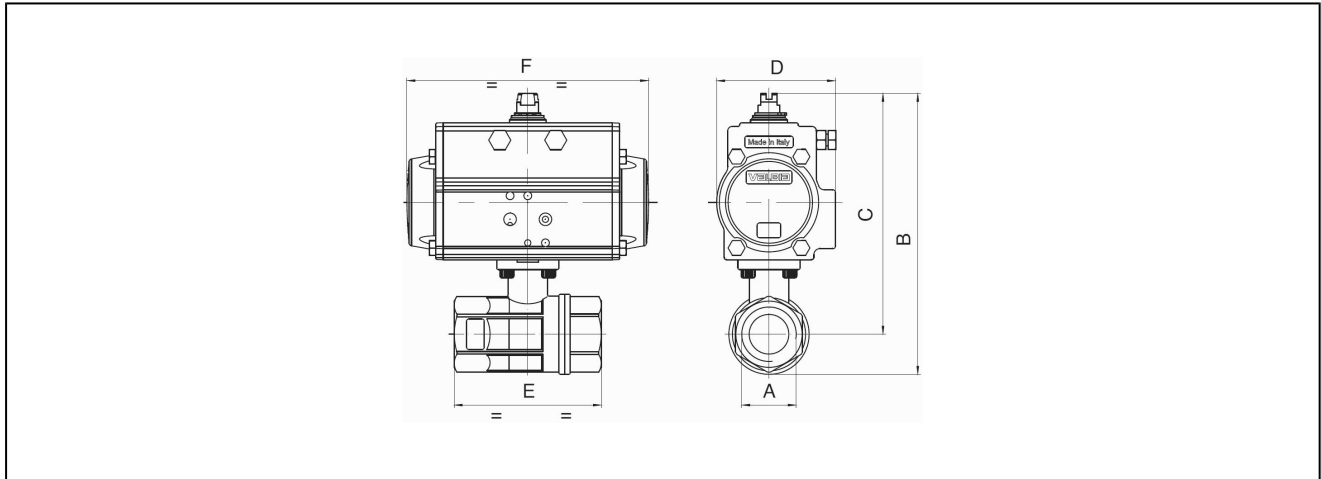


## ball valves made of brass with pneumatic actuator 1/4" to 4" series BAB1-...-BLTV



|                                    |   |
|------------------------------------|---|
| design                             | actuator: piston actuator with 2 counteracting pistons, elastic sealing, actuator complying with ISO 5211 or rather to NAMUR-references, end position +/-5° adjustable on both sides  |
| connection                         | RP1/4" ... RP4" according to ISO7/1   |
| materials<br>standard construction | actuator: hard-anodised aluminum, pinion nickel-plated steel, piston guide POM, seals NBR<br>ball valve: CW617N brass nickel plated body, ball brass CW617N hard chrome plated, seals PTFE/<br>FKM  |
| function                           | delivery in double acting or single acting design   |
| type of fixing                     | installed into rigid pipework   |
| mounting position                  | any   |
| control medium                     | filtered and lubricated or non lubricated compressed air  |
| application                        | gaseous and liquid fluids which do not affect the used materials  |
| medium temperature                 | -20°C ...+160°C   |
| ambient temperature                | -20°C ...+85°C  |
| control pressure                   | 5,5-8 bar, adaptation for lower control pressures on request  |
| operating pressure                 | 0 bar to operating pressure according to the table and pressure-temperature diagram, not suitable for vacuum  |
| special version                    | pinion made of stainless steel, ATEX, ambient temperatures of -40°C...+85°C, respectively<br>-20°C...+150°C on request  |
| accessories                        | mounted manual pneumatic or electric control valve<br>electric end position signal, I/P or P/P positioner<br>control of moving speed  |
| order information                  | in case of order please specify control pressure, operating medium and operating pressure   |
| direction for use                  | pressure and temperature values are maximum values for lubricating or not degreasing mediums. in particular degreasing media reduce the indicated values and increase the necessary torque. In border lines we recommend a previous consultation. when selecting the armature, the lowest control pressure in the equipment is taken as the basis |

## dimensions



### ball valves with double acting pneumatic actuator

| connection<br>A | nominal diameter<br>DN[mm] | max. operating pressure<br>[bar] to 85°C | B     | C     | D   | E   | F   | type of actuator | kv value<br>[m <sup>3</sup> /h] | weight<br>[app. kg] | type               |
|-----------------|----------------------------|--|-------|-------|-----|-----|-----|------------------|---------------------------------|---------------------|--------------------|
| RP1/4"          | 8                          | 40                                       | 115   | 98    | 45  | 67  | 110 | PAD032           | 5,4                             | 0,9                 | BAB1-002-BLTV-D0   |
| RP1/4"          | 8                          | 40                                       | 151,5 | 134,5 | 71  | 67  | 141 | PAD052           | 5,4                             | 1,7                 | BAB1-002-BLTV-D0B* |
| RP3/8"          | 10                         | 40                                       | 115   | 98    | 45  | 67  | 110 | PAD032           | 6                               | 0,9                 | BAB1-003-BLTV-D0   |
| RP3/8"          | 10                         | 40                                       | 151,5 | 134,5 | 71  | 67  | 141 | PAD052           | 6                               | 1,7                 | BAB1-003-BLTV-D0B* |
| RP1/2"          | 15                         | 40                                       | 115   | 98    | 45  | 67  | 110 | PAD032           | 16,3                            | 0,9                 | BAB1-004-BLTV-D0   |
| RP1/2"          | 15                         | 40                                       | 151,5 | 134,5 | 71  | 67  | 141 | PAD052           | 16,3                            | 1,7                 | BAB1-004-BLTV-D0B* |
| RP3/4"          | 20                         | 40                                       | 120   | 100   | 45  | 76  | 110 | PAD032           | 29,5                            | 1,0                 | BAB1-005-BLTV-D0   |
| RP3/4"          | 20                         | 40                                       | 156,5 | 136,5 | 71  | 76  | 141 | PAD052           | 29,5                            | 1,8                 | BAB1-005-BLTV-D0B* |
| RP1"            | 25                         | 40                                       | 135   | 111   | 45  | 90  | 110 | PAD032           | 43                              | 1,3                 | BAB1-006-BLTV-D0   |
| RP1"            | 25                         | 40                                       | 171,5 | 147,5 | 71  | 90  | 141 | PAD052           | 43                              | 2,1                 | BAB1-006-BLTV-D0B* |
| RP11/4"         | 32                         | 40                                       | 144   | 114   | 45  | 102 | 110 | PAD032           | 89                              | 1,6                 | BAB1-007-BLTV-D0   |
| RP11/4"         | 32                         | 40                                       | 180,5 | 150,5 | 71  | 102 | 141 | PAD052           | 89                              | 2,4                 | BAB1-007-BLTV-D0B* |
| RP11/2"         | 40                         | 40                                       | 203   | 166   | 71  | 114 | 141 | PAD052           | 230                             | 3,1                 | BAB1-008-BLTV-D0   |
| RP2"            | 50                         | 40                                       | 221   | 175   | 71  | 138 | 141 | PAD052           | 265                             | 4,1                 | BAB1-009-BLTV-D0   |
| RP21/2"         | 65                         | 25                                       | 259   | 202   | 81  | 157 | 164 | PAD063           | 540                             | 5,5                 | BAB1-010-BLTV-D0   |
| RP3"            | 80                         | 16                                       | 279   | 211   | 81  | 188 | 164 | PAD063           | 873                             | 7,8                 | BAB1-011-BLTV-D0   |
| RP4"            | 100                        | 16                                       | 345   | 262   | 106 | 225 | 241 | PAD085           | 1390                            | 14,0                | BAB1-012-BLTV-D0   |

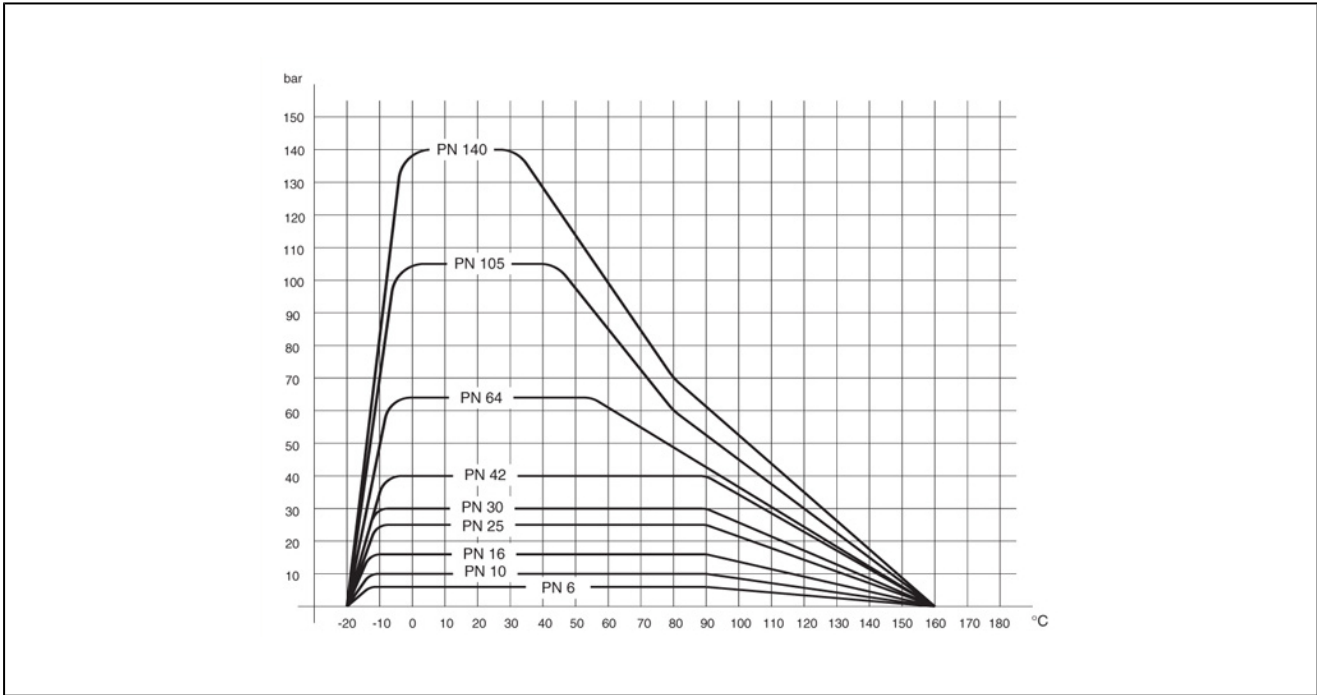
\*with add-on B the ball valves will be fitted with actuator PAD052. when using limit switch boxes and NAMUR-control valves use B-types.

### ball valves with single acting pneumatic actuator

| connection<br>A | nominal diameter<br>DN[mm] | max. operating pressure<br>[bar] to 85°C | B   | C   | D   | E   | F   | type of actuator | kv value<br>[m <sup>3</sup> /h water] | weight<br>[app. kg] | type             |
|-----------------|----------------------------|--|-----|-----|-----|-----|-----|------------------|---------------------------------------|---------------------|------------------|
| RP1/4"          | 8                          | 40                                       | 151 | 134 | 71  | 67  | 141 | PAS0525          | 5,4                                   | 1,9                 | BAB1-002-BLTV-S0 |
| RP3/8"          | 10                         | 40                                       | 151 | 134 | 71  | 67  | 141 | PAS0525          | 6                                     | 1,9                 | BAB1-003-BLTV-S0 |
| RP1/2"          | 15                         | 40                                       | 151 | 134 | 71  | 67  | 141 | PAS0525          | 16,3                                  | 1,9                 | BAB1-004-BLTV-S0 |
| RP3/4"          | 20                         | 40                                       | 156 | 136 | 71  | 76  | 141 | PAS0525          | 29,5                                  | 2,0                 | BAB1-005-BLTV-S0 |
| RP1"            | 25                         | 40                                       | 172 | 147 | 71  | 90  | 141 | PAS0525          | 43                                    | 2,3                 | BAB1-006-BLTV-S0 |
| RP11/4"         | 32                         | 40                                       | 180 | 151 | 71  | 102 | 141 | PAS0525          | 89                                    | 2,6                 | BAB1-007-BLTV-S0 |
| RP11/2"         | 40                         | 40                                       | 214 | 177 | 81  | 114 | 141 | PAS0635          | 230                                   | 4,1                 | BAB1-008-BLTV-S0 |
| RP2"            | 50                         | 40                                       | 232 | 186 | 81  | 138 | 164 | PAS0635          | 265                                   | 5,2                 | BAB1-009-BLTV-S0 |
| RP21/2"         | 65                         | 25                                       | 291 | 234 | 106 | 165 | 241 | PAS0855          | 540                                   | 8,6                 | BAB1-010-BLTV-S0 |
| RP3"            | 80                         | 16                                       | 311 | 243 | 106 | 188 | 241 | PAS0855          | 873                                   | 10,9                | BAB1-011-BLTV-S0 |
| RP4"            | 100                        | 16                                       | 358 | 275 | 123 | 225 | 275 | PAS1005          | 1390                                  | 17,5                | BAB1-012-BLTV-S0 |

single acting actuators are delivered normally closed (NC), if not specified in your order.

# pressure-temperature-diagram



illustrations are for information only and are non-binding  
all designs, configurations, measurements and materials are subject to change without prior notice