

DIGIRULER®

SL110

SL130

PL20B/25

Non-contact detection and a long range measuring

- Magnetic principle
- Excellent resistance to workshop conditions (PL20B equivalent to IP67). Resistant to oil, dirt, vibrations and shocks.
- Resolution: 10 µm
- Max. response speed: 300 m/ min (varies with the read head and settings).
- Available in lengths up to 30 m (SL130)
- High cost efficiency. Easy installation on all types of machines from wood working to metal cutting.

SL110/130 Specifications

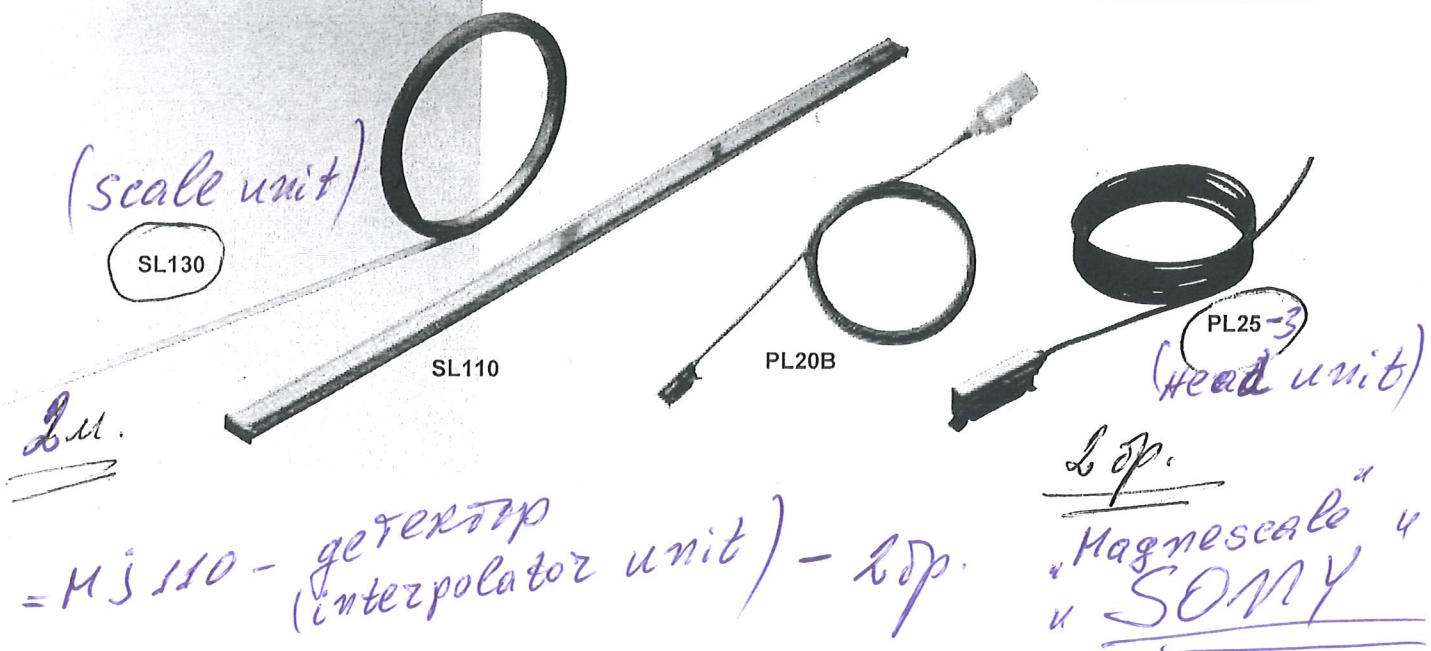
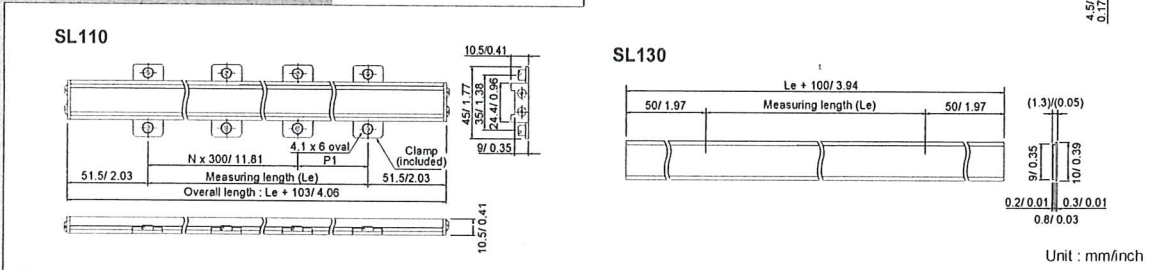
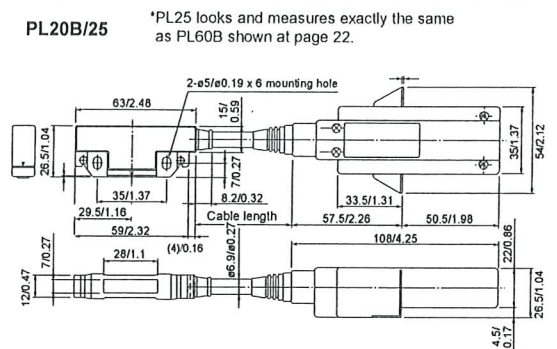
Model	SL110		SL130	
	-20 to -200	-20 to -700	-20 to -700	-800 to -3000
Measuring length mm (inch)	200/300/400/500/600/700/800/1000/1200/1500/1600/1700/1800/2000 (7.8/11.8/15.7/19.6/23.6/27.5/31.4/39.3/47.2/59.0/62.9/66.9/70.8/78.7)	200/300/400/500/600/700/800/1000/1200/1500/1600/1700/1800/2000/2500/3000/4000/5000/6000/7000 (7.8/11.8/15.7/19.6/23.6/27.5/31.4/39.3/47.2/59.0/62.9/66.9/70.8/78.7/98.4/118.1/157.4/196.8/236.2/275.5)	8000/9000/10000/20000/30000 (314.9/354.3/393.7/787.4/1181.1)	
Overall length	L+103 mm/ 4.1"		L + 100 mm/ 3.9"	
Accuracy (at 20 °C /68 °F)	± (25 + 5L/ 1000) µm		± (25 + 5L/ 1000 + 10N) µm N=1 when L=8000 /9000/10000 , N=2 when L=20000 , N=3 when L=30000	
Resolution	10 µm			
Max. response speed	300 m/ min			
Expansion coefficient	(11.1 ± 1) x 10 ⁻⁶ / °C		(10.4 ± 1) x 10 ⁻⁶ / °C	
Operating temperature	-5 °C to 45 °C / 23 °F to 113 °F			
Storage temperature	-10 °C to 50 °C / 14 °F to 122 °F			
Compatible read head	PL20B/ 25			
Compatible read head and detector	PL81/ 82 Series, PL25			

*Accuracy shows the value when used with PL20B/25 read head.

PL20B/25 Specifications

Model	PL20B					PL25
	-3	-5	-A	-C	-D	-3
Read head cable length	3 m/9.8'	5 m/16.4'	10 m/32.8'	15 m/49.2'	20 m/65.6'	3 m/9.8'
Scale-Read head clearance	Max. 1.5 mm/ 0.059" (no contact)					
Protective design grade	Equivalent to IP67					Equivalent to IP65
Operating temperature	-5 °C to 45 °C / 23 °F to 113 °F					
Storage temperature	-10 °C to 50 °C / 14 °F to 122 °F					
Compatible scale	SL110 and SL130					
Compatible detector	—					
Compatible displays	LG, LH and LY					
Head mtg. screw tightening torque	0.7 ~ 1.1 N · m					

Dimensions



Linear Scales