

### Receiver

 Society  
 Reference  
 Address  
 Phone  
 Fax  
 E-mail

### Item n° :

60122635

### Model :

AB DIVER 6 800 M-A

### Pump data

Pressure rating :

Min. fluid temperature : 0 °C

Max. fluid temperature : 35 °C

Max. Ambient temperature :

### Requested data

Flow : 0 l/min

Head : 0 m

Fluid : Water

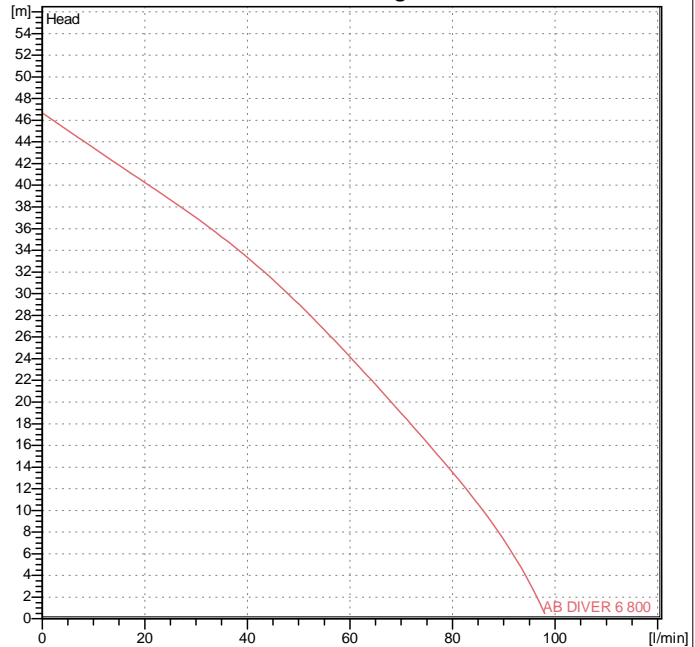
Fluid Temperature : 20 °C

 Density : 0,99819 kg/dm<sup>3</sup>

 Kinematic viscosity : 1,0004 mm<sup>2</sup>/s

Vapor pressure : 2,2045 kPa

### Curve tolerance according to ISO 9906



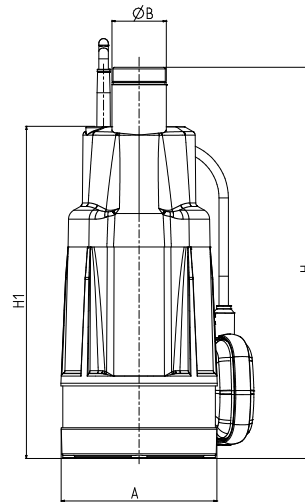
### Hydraulic data (duty point)

Flow :

Head :

### Materials

Pump body	PP OMO 30% FVAC NAT Grade	6 Stab. Therm.
Impeller	PPO/PPE 20% FV	
Diffuser	PPO/PPE 20% FV	
OR ring	NBR 70	
Motor casing	SHEET METAL Fe P01 0.65mm	
Motor shaft	Drawn bars Steel INOX AISI 416	Quenched
Ceramic bushing	Drawn bars Steel INOX AISI 416	Quenched



### Motor data

**Weight :** 9 kg

Motor brand :	DAB	
Nominal power P2 :	0,75 kW	
Rated voltage :	1~ 220-240 V	50 Hz
Nominal current :	4,8 A	
Number of poles :	2	
Rated speed :	2800 1/min	
Degree of protection :	IP X8	

### Dimensions in mm

Dimension	Value (mm)				
A	150				
B	52				
H	400				
H1	343				

### Pump connection

 Suction side : /  
 Discharge side : /



WATER • TECHNOLOGY

# PERFORMANCE CURVES

2018-02-22

Page 2 / 3

DAB PUMPS S.p.A.  
Via Marco Polo, 14 - 35035 Mestrino (PD), Italy  
Tel. +39 049 5125000 - Fax +39 049 5125950  
www.dabpumps.com

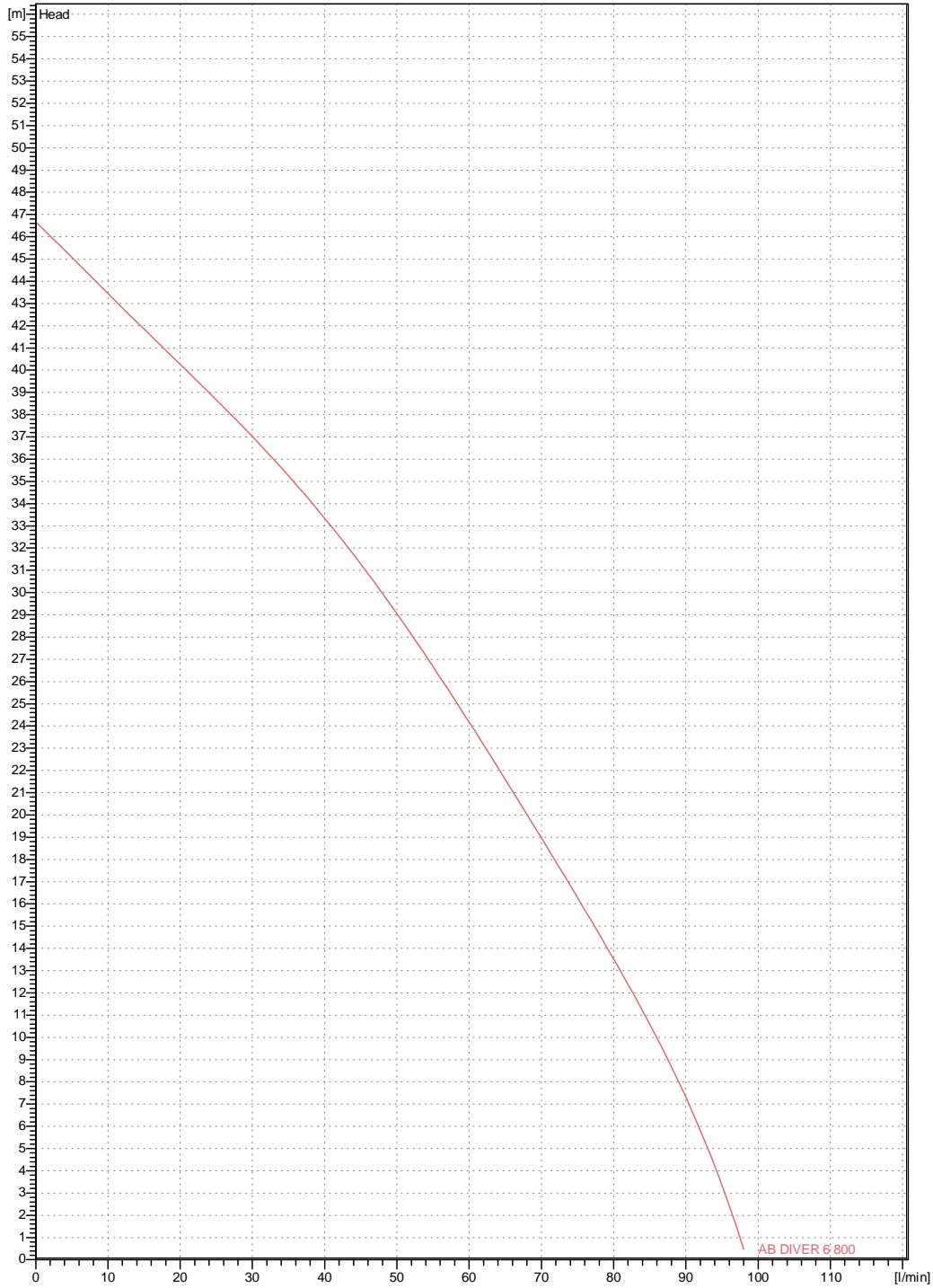
Receiver

From

Society  
Reference  
Address  
Phone  
Fax  
E-mail

## AB DIVER 6 800 M-A

Curve tolerance according to ISO 9906



Hydraulic data (duty point)

Suction side :	Discharge side :	Flow : 0 l/min	Head : 0 m	Rated speed : 2800 1/min
Project	Project ID	Created by	Created on <b>2018-02-22</b>	



WATER • TECHNOLOGY

# DIMENSIONAL DRAWING

2018-02-22

Page 3 / 3

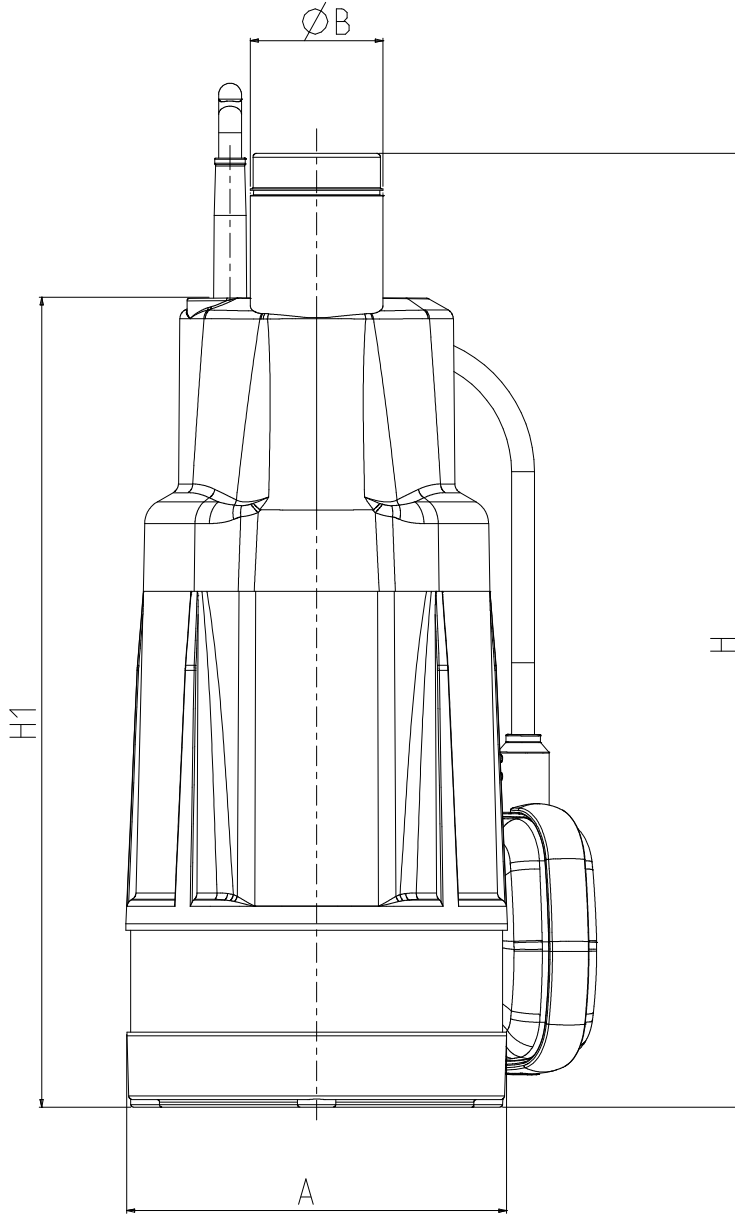
DAB PUMPS S.p.A.  
Via Marco Polo, 14 - 35035 Mestrino (PD), Italy  
Tel. +39 049 5125000 - Fax +39 049 5125950  
www.dabpumps.com

Receiver

From

Society  
Reference  
Address  
Phone  
Fax  
E-mail

## AB DIVER 6 800 M-A



### Dimensions in mm

1	A	150
2	B	52
3	H	400
4	H1	343

### Pump connection

Suction

Discharge

Project

Project ID

Created by

Created on

2018-02-22