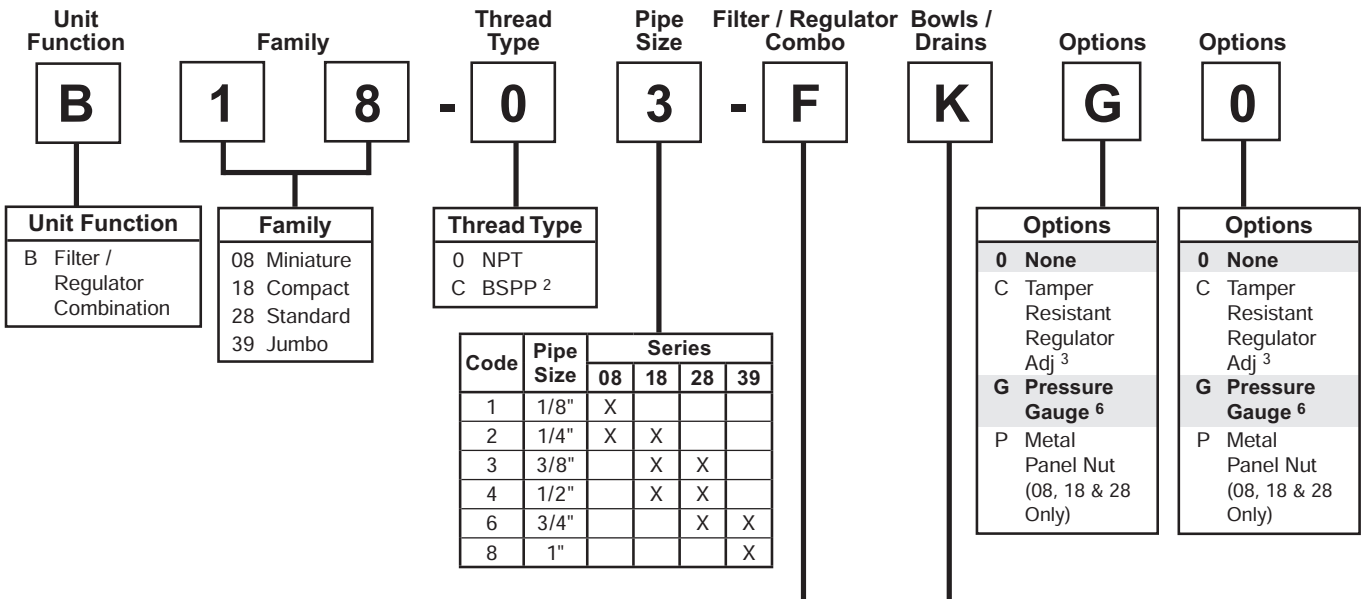


# Filter / Regulator Numbering System    = "Most Popular"



| Drains                             | Bowls                          |                                      |                                   |
|------------------------------------|--------------------------------|--------------------------------------|-----------------------------------|
|                                    | Plastic w / Guard <sup>1</sup> | Metal w/ No Sight Gauge <sup>1</sup> | Metal w/ Sight Gauge <sup>4</sup> |
| None (08, 18 & 28 Only)            | C                              | —                                    | D                                 |
| 1/8 NPT Female (18 & 28 Only)      | E                              | U                                    | F                                 |
| Automatic Drain (18, 28 & 39 Only) | <b>G</b>                       | A                                    | H                                 |
| Manual Drain                       | <b>K</b>                       | M                                    | L                                 |
| Piston Drain (08 Only)             | <b>R</b>                       | —                                    | S                                 |
| Flex Drain (18 & 28 Only)          | T                              | —                                    | —                                 |

| Diaphragm Function <sup>7</sup> | Fluorocarbon <sup>1</sup> | Spring Range                             |  |                              |  |
|---------------------------------|---------------------------|--|--|------------------------------|--|
|                                 |                           | 0 to 30 PSIG <sup>1</sup> (0 to 2.1 bar) | 0 to 60 PSIG <sup>1</sup> (0 to 4.1 bar) | 0 to 125 PSIG (0 to 8.6 bar) | 0 to 250 PSIG <sup>1,5</sup> (0 to 17.2 bar) |
| Relieving                       | No                        | C  | D  | <b>F</b>                     | G  |
|                                 | Yes                       | J  | K  | <b>L<sup>1</sup></b>         | M  |
| Non-relieving <sup>1</sup>      | No                        | P  | W  | R                            | S  |
|                                 | Yes                       | V  | X  | Y                            | Z  |

<sup>1</sup> Not Available on 39 Series.  
<sup>2</sup> ISO, R228 (G Series).  
<sup>3</sup> Tamper resistant kit not installed. Kit shipped loose in carton, for 08, 18 & 28 Series.  
<sup>4</sup> B08 Filter / Regulator has an all metal bowl (no sight gauge).  
<sup>5</sup> For 18 & 28 Series Only.  
<sup>6</sup> For 08 Series only: "G" in position 8 or 9 is for unit w/ flush-mounted pressure gauge. Units without gauge have 1/8" threaded gauge ports, and a center back mounted pressure gauge must be ordered separately.

**NOTE: When selecting from the options columns, please enter letters in alphabetical order, for positions 7, 8, 9. For example:**

**B 18-03-F K 0 0**

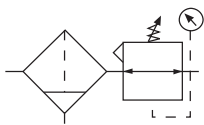
**"F" Series Filters, Type "A" 5 micron elements:** All Wilkerson Type "A" 5 micron elements **meet or exceed ISO** Class 3 for maximum particle size and concentration of solid contaminants.

**NOTE:**All classes above refer to International Standards Organization (ISO) standard 8573-1, pertaining to maximum particle size and concentration of solid contaminants, and maximum oil content.

# Filter / Regulator

## B08

 = "Most Popular"



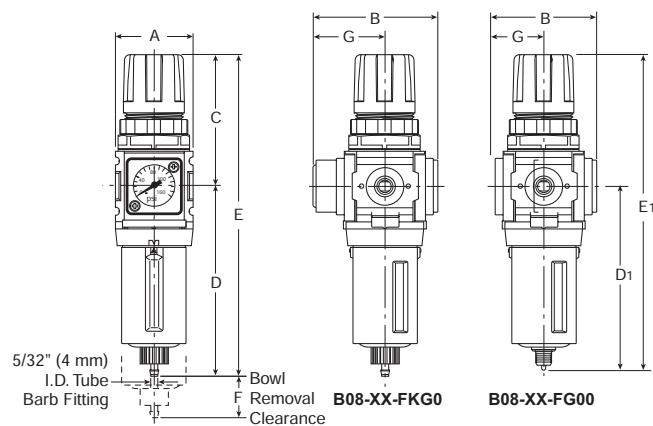
**B08-01-FKG0 B08-01-FK00**

### Features

- Space-Saving Integral Filter / Regulator Design
- Unique Flush-mounted Pressure Gauge Available
- Balanced Valve Design
- Modern Design and Appearance
- Light Weight
- High Flow Capacities
- Quick-Disconnect Bowl / Bowl Guard

### WARNING

**Product rupture can cause serious injury.  
Do not connect regulator to bottled gas.  
Do not exceed maximum primary pressure rating.**



**NOTES:** Flush mounted gauge kits will not fit units originally purchased with threaded gauge ports.  
1.25" Dia. (31.7 mm) hole required for panel nut mounting.

### Dimensions

| Models                                | Inches (mm) | A              | B              | C              | D            | D <sub>1</sub> | E             | E <sub>1</sub> | F            | G              |
|---------------------------------------|-------------|----------------|----------------|----------------|--------------|----------------|---------------|----------------|--------------|----------------|
| Standard Unit<br>B08-XX-FK00          |             | 1.58<br>(40)   | 1.70<br>(43)   | 2.60<br>(66)   | 3.86<br>(98) | —              | 6.46<br>(164) | —              | 1.31<br>(33) | .85<br>(21.6)  |
| Automatic Piston Drain<br>B08-XX-FRG0 |             | 1.58<br>(40.0) | 2.53<br>(64.3) | 2.60<br>(66.0) | —            | 3.64<br>(93)   | —             | 6.24<br>(159)  | 1.31<br>(33) | 1.45<br>(36.8) |

### Specifications

|                             |              |                                   |
|-----------------------------|--------------|-----------------------------------|
| Flow Capacity*              | 1/8          | 28 SCFM (13.2 dm <sup>3</sup> /s) |
|                             | 1/4          | 42 SCFM (19.8 dm <sup>3</sup> /s) |
| Adjusting Range<br>Pressure |              | 0 to 30 PSIG (0 to 2.1 bar)       |
|                             |              | 0 to 60 PSIG (0 to 4.1 bar)       |
|                             |              | 0 to 125 PSIG (0 to 8.6 bar)      |
| Gauge Ports** (2 ea.) NPT   |              | 1/8                               |
| Maximum Supply<br>Pressure  | Plastic Bowl | 150 PSIG (10.3 bar)               |
|                             | Metal Bowl   | 250 PSIG (17.2 bar)               |
| Operating<br>Temperature    | Plastic Bowl | 32° to 125°F (0° to 52°C)         |
|                             | Metal Bowl   | 32° to 150°F (0° to 65.5°C)       |
| Port Size                   | NPT / BSPP-G | 1/8, 1/4                          |
| Standard Filtration         |              | 5 Micron                          |
| Weight                      |              | .75 lb. (0.34 kg)                 |

\* Inlet pressure 100 PSIG (6.9 bar). Secondary pressure 90 PSIG (6.2 bar).

\*\* Non gauge option only.

**"F" Series Filters, Type "A" 5 micron elements:** All Wilkerson Type "A" 5 micron elements **meet or exceed ISO** Class 3 for maximum particle size and concentration of solid contaminants.

### Materials of Construction

|                    |              |                 |
|--------------------|--------------|-----------------|
| Adjustment Knob    |              | Acetal          |
| Body               |              | Zinc            |
| Body Cap           |              | ABS             |
| Bonnet             |              | PBT             |
| Bowl               | Plastic Bowl | Polycarbonate   |
|                    | Metal Bowl   | Zinc            |
| Bowl Guard         |              | Nylon           |
| Diaphragm Assembly |              | Brass / Nitrite |
| Filter Element     |              | Polyethylene    |
| Panel Nut          |              | Acetal          |
| Seals              | Plastic Bowl | Nitrile         |
|                    | Metal Bowl   | Nitrile         |
| Springs            |              | Steel           |
| Valve Assembly     |              | Brass / Nitrite |

### CAUTION:

**REGULATOR PRESSURE ADJUSTMENT** – The working range of knob adjustment is designed to permit outlet pressures within their full range. Pressure adjustment beyond this range is also possible because the knob is not a limiting device. This is a common characteristic of most industrial regulators, and limiting devices may be obtained only by special design.

For best performance, regulated pressure should always be set by increasing the pressure up to the desired setting.

**Replacement Bowl Kits**

- Metal Bowl, Manual Drain.....GRP-96-714
- Plastic Bowl / Bowl Guard, Manual Drain.....GRP-96-712

**Replacement Element Kit**

- Type "A", 5 Micron.....FRP-96-729

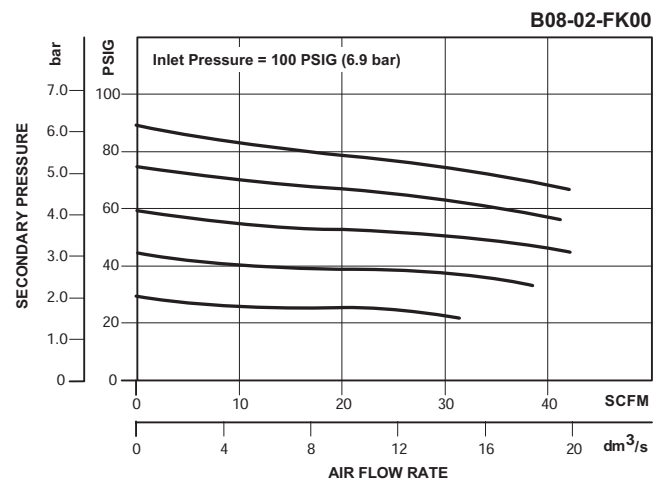
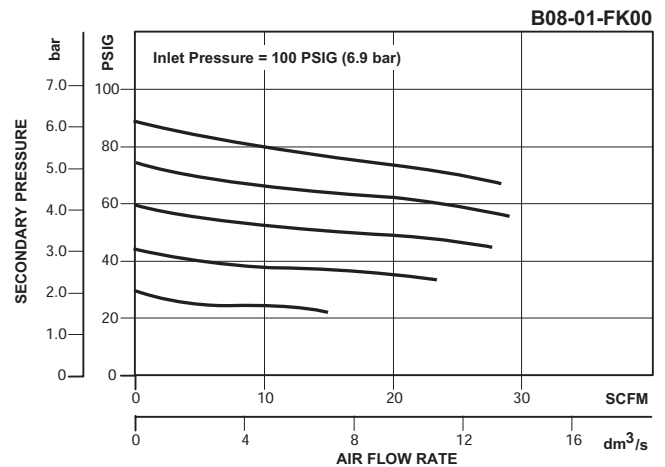
**Replacement Kits**

- Adjusting Knob.....RRP-16-005-000
- Diaphragm Assembly –
  - Non-relieving ..... GRP-96-726
  - Relieving..... GRP-96-725
- Spring, Regulating–
  - 0 to 30 PSIG (0 to 2.0 bar)..... GRP-95-111
  - 0 to 60 PSIG (0 to 4.1 bar) .....GRP-96-718
  - 0 to 125 PSIG (0 to 8.5 bar).....GRP-96-717
- Valve Assembly.....RRP-96-727

**Accessories**

- Automatic Piston Drain .....GRP-96-716
- Gauge Adapter Block, 1/4" NPT, .....GPA-97-037  
(Replaces Flush Mount Gauge)
- Panel Mount Nut –
  - Aluminum.....RPA-96-733
  - Plastic .....RPA-96-734
- Pressure Gauge, Flush Mounted –
  - 0 to 60 PSIG ..... K4511SCR060
  - 0 to 150 PSIG .....K4511SCR150
  - 0 to 11 bar.....K4511SCR11B
- Pressure Gauge, 0 to 60 PSIG (0 to 4.1 bar),
  - 1-1/2" Dial Face, 1/8 NPT, CBM..... K4515N18060
- Pressure Gauge 0 to 160 PSIG (0 to 11.0 bar),
  - 1-1/2" Dial Face, 1/8 NPT, CBM..... K4515N18160
- Tamper Resistant Kit.....RPA-96-735
- Wall Mounting Bracket -
  - C-Type ..... GPA-97-010
  - L-Type ..... GRP-96-739

= "Most Popular"



**Ordering Information**

| Model Type    | Port Size | Plastic Bowl / Bowl Guard / Manual Drain / Without Gauge<br>0 to 30 PSIG<br>(0 to 0.2 bar) | Plastic Bowl / Bowl Guard / Manual Drain / Without Gauge<br>0 to 125 PSIG<br>(0 to 8.6 bar) | Plastic Bowl / Bowl Guard / Manual Drain / With Gauge<br>0 to 20 PSIG<br>(0 to 2.0 bar) | Plastic Bowl / Bowl Guard / Manual Drain / With Gauge<br>0 to 125 PSIG<br>(0 to 8.6 bar) | Plastic Bowl / Bowl Guard / Manual Drain / Low Pressure / Without Gauge<br>0 to 60 PSIG<br>(0 to 4.1 bar) | Plastic Bowl / Bowl Guard / Automatic Piston / With Gauge<br>0 to 125 PSIG<br>(0 to 8.6 bar) |
|---------------|-----------|--|---|---|--|---|--|
| Relieving     | 1/8       | B08-01-CK00  | B08-01-FK00   | B08-01-CKG0   | B08-01-FKG0  | B08-01-DK00   | B08-01-FRG0  |
|               | 1/4       | B08-02-CK00  | B08-02-FK00   | B08-02-CKG0   | B08-02-FKG0  | B08-02-DK00   | B08-02-FRG0  |
| Non-relieving | 1/8       | B08-01-PK00  | B08-01-RK00   | B08-01-PKG0   | B08-01-RKG0  | B08-01-WK00   | B08-01-RRG0  |
|               | 1/4       | B08-02-PK00  | B08-02-RK00   | B08-02-PKG0   | B08-02-RKG0  | B08-02-WK00   | B08-02-RRG0  |

**Options** - To order an option supplied with the unit model, add the appropriate coded suffix letter in the designated position of the model number.