

Product description **Contacts: 5, female cable connector, 360° EMC safe, shieldable, cable outlet 3.5-5mm**
 Area **M9 IP67 Series 712**
 Order number **99 0414 10 05**

Illustration	Scale drawing	Contact arrangement																		
		<table border="1" style="margin-left: 20px;"> <thead> <tr> <th></th> <th>X</th> <th>Y</th> </tr> </thead> <tbody> <tr> <td>1</td> <td>-1,00</td> <td>-1,37</td> </tr> <tr> <td>2</td> <td>-1,61</td> <td>0,52</td> </tr> <tr> <td>3</td> <td>0,00</td> <td>1,70</td> </tr> <tr> <td>4</td> <td>1,61</td> <td>0,52</td> </tr> <tr> <td>5</td> <td>1,00</td> <td>-1,37</td> </tr> </tbody> </table>		X	Y	1	-1,00	-1,37	2	-1,61	0,52	3	0,00	1,70	4	1,61	0,52	5	1,00	-1,37
	X	Y																		
1	-1,00	-1,37																		
2	-1,61	0,52																		
3	0,00	1,70																		
4	1,61	0,52																		
5	1,00	-1,37																		

You can find the component part drawing and assembly instructions on the next page.

Technical data

General values

Connector design	female cable connector
Connector locking system	bolted
Termination	löten
Wire gauge (mm)	0,25 mm ²
Wire gauge (AWG)	24
Cable outlet	3,5 - 5,0 mm
Upper limit temperature	85 °C
Lower limit temperature	-40 °C

Electrical values

Rated voltage	125 V
Rated impulse voltage	1500 V
Pollution degree	1
Overvoltage category	II
Insulating material group	III
Rated current (40 °C)	3 A
Volume resistivity	≤ 3 mΩ
EMC compliance	shieldable
Degree of protection	IP67
Mechanical operation	> 500 Mating cycles

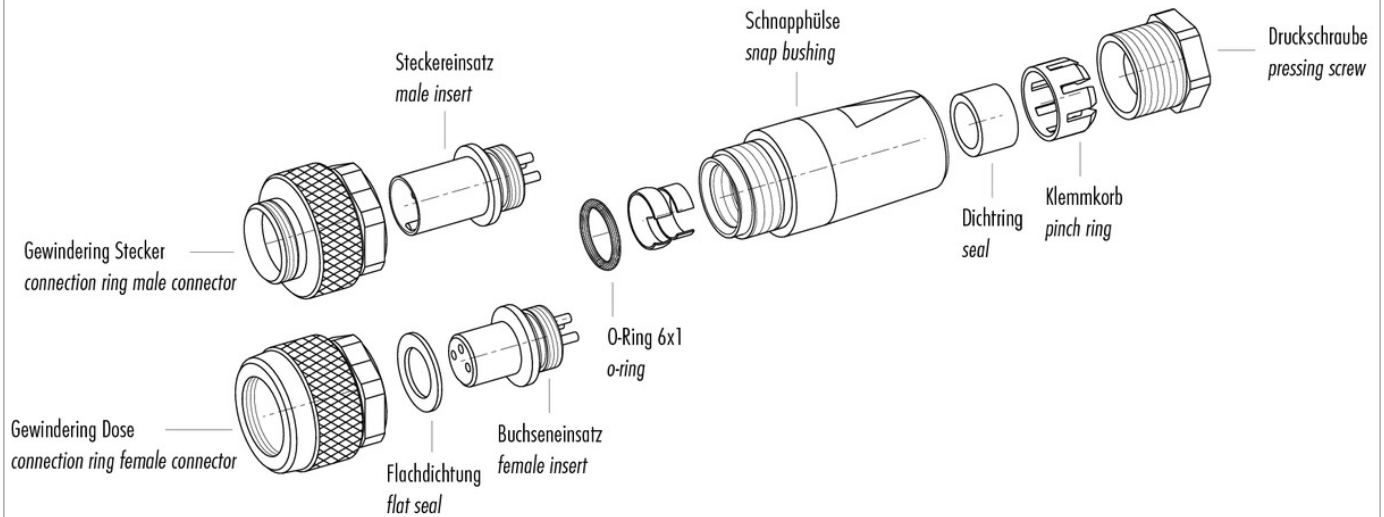
Material

Contact material	CuSn (bronze)
Contact plating	Au (gold)
Contact body material	PA (UL 94 V-0)

Product description **Contacts: 5, female cable connector, 360° EMC safe, shieldable, cable outlet 3.5-5mm**

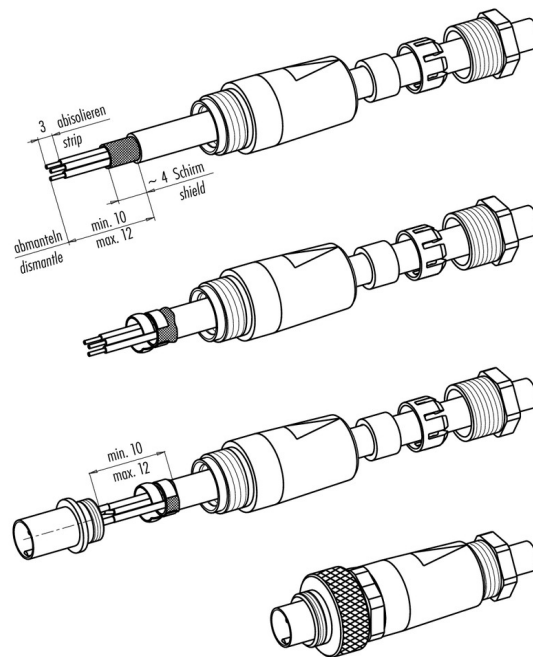
Area **M9 IP67 Series 712**
Order number **99 0414 10 05**

Component part drawing



Assembly instructions / Panel cut-out

- | | |
|--|--|
| 1. Teile auffädeln, Kabel abmanteln, Schirm kürzen, Leiter abisolieren | 1. Bead parts, dismantle cable, shorten shield, strip wire |
| 2. Schirm umlegen, Schirmmanschette an Kabeldurchmesser anpassen und mit Schirm verlöten | 2. Fold shield back, fit collar to cable diameter and solder with shield |
| 3. Überstehendes Geflecht abschneiden, Kontakteinsatz anlöten | 3. Cut off projecting shielding braid, solder insert |
| 4. Übrige Teile gemäß Darstellung montieren | 4. Mount remaining parts acc. to figure |



Product description	Contacts: 5, female cable connector, 360° EMC safe, shieldable, cable outlet 3.5-5mm
Area	M9 IP67 Series 712
Order number	99 0414 10 05

Sicherheitshinweise

The connector must not be connected or separated under load. Non-observance and incorrect use can result in personal injury.

The connectors are designed for use in plant, control system and electrical equipment. The end user is responsible for checking whether the connectors are suitable for use in other applications.

Connectors used in electrical circuits containing hazardous life parts must only be assembled and used by or under the supervision of persons with the requisite electrotechnical training, taking the applicable regulations and standards into account.

Connectors with degree of protection IP 67 and IP 68 are not suitable for use under water. When used outdoors, the connectors must be separately protected against corrosion. For further information about IP degrees of protection refer to 'Technical support' in the Download Centre.

To lock the cable connector to the equipment connector, the threaded ring is tightened until it is 'finger-tight' (approx. 50 cNm).