

SH. 1  
OF 1

CAT NO

798A-6/150

SIZE

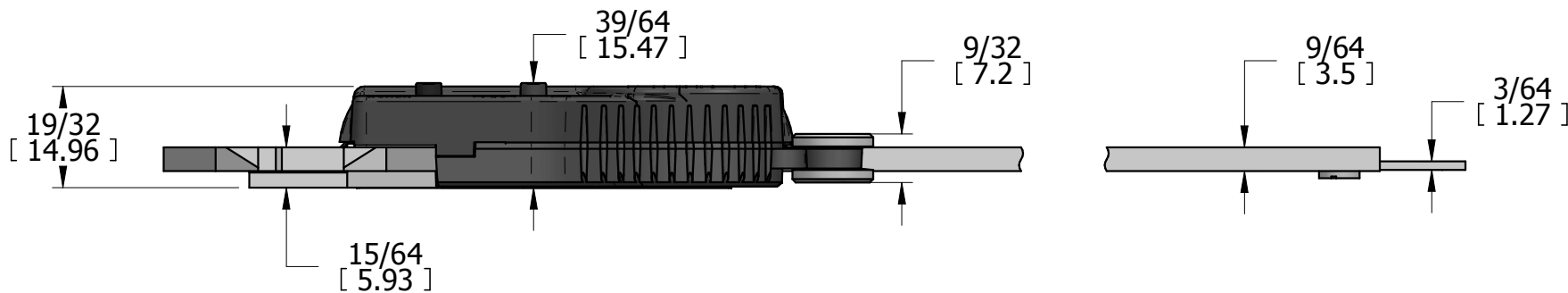
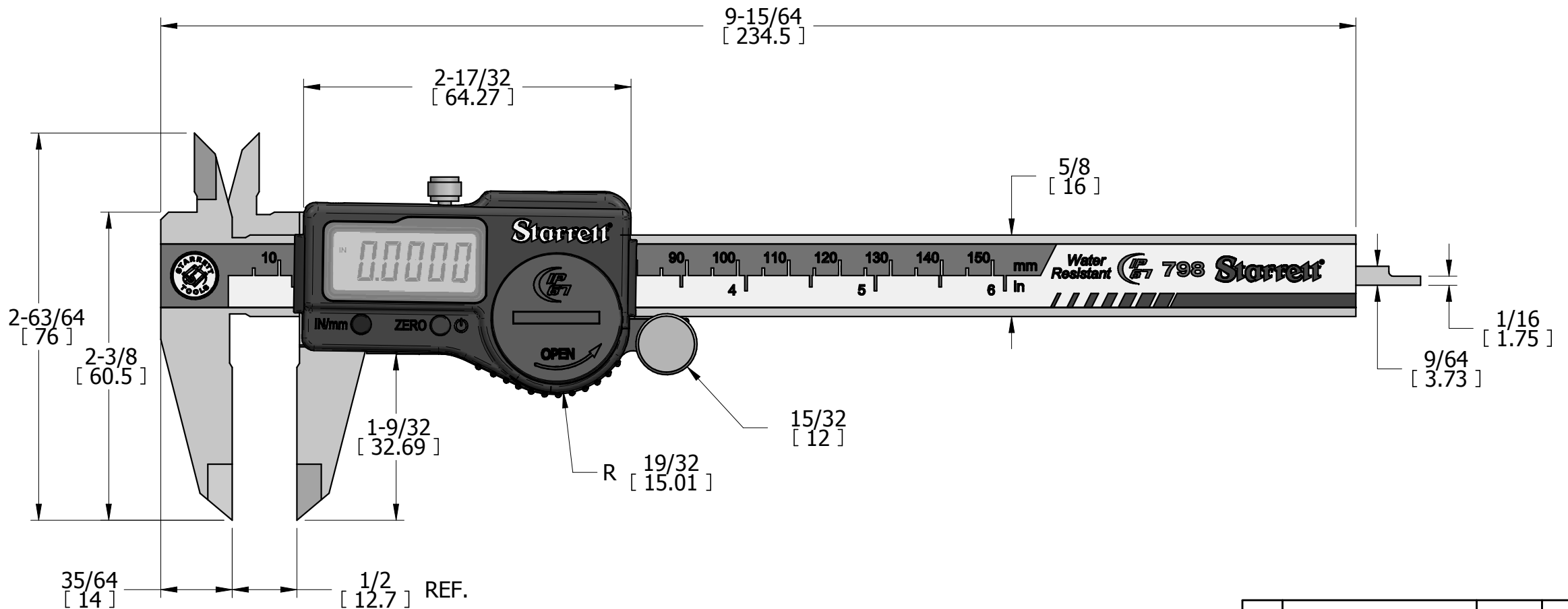
6"

DO NOT  
SEPARATE  
PRINT FROM  
WORK

LOT NO

OPER

TOOLS




REV	DESCRIPTION	DATE	BY
DR	JKB	CHK	DATE 1-14-10

ELECTRONIC CALIPER  
6" / 150mm

THE L.S. STARRETT CO.  
ATHOL, MASS.

FRACTIONAL TOLERANCE +- 1/64 UNLESS OTHERWISE NOTED