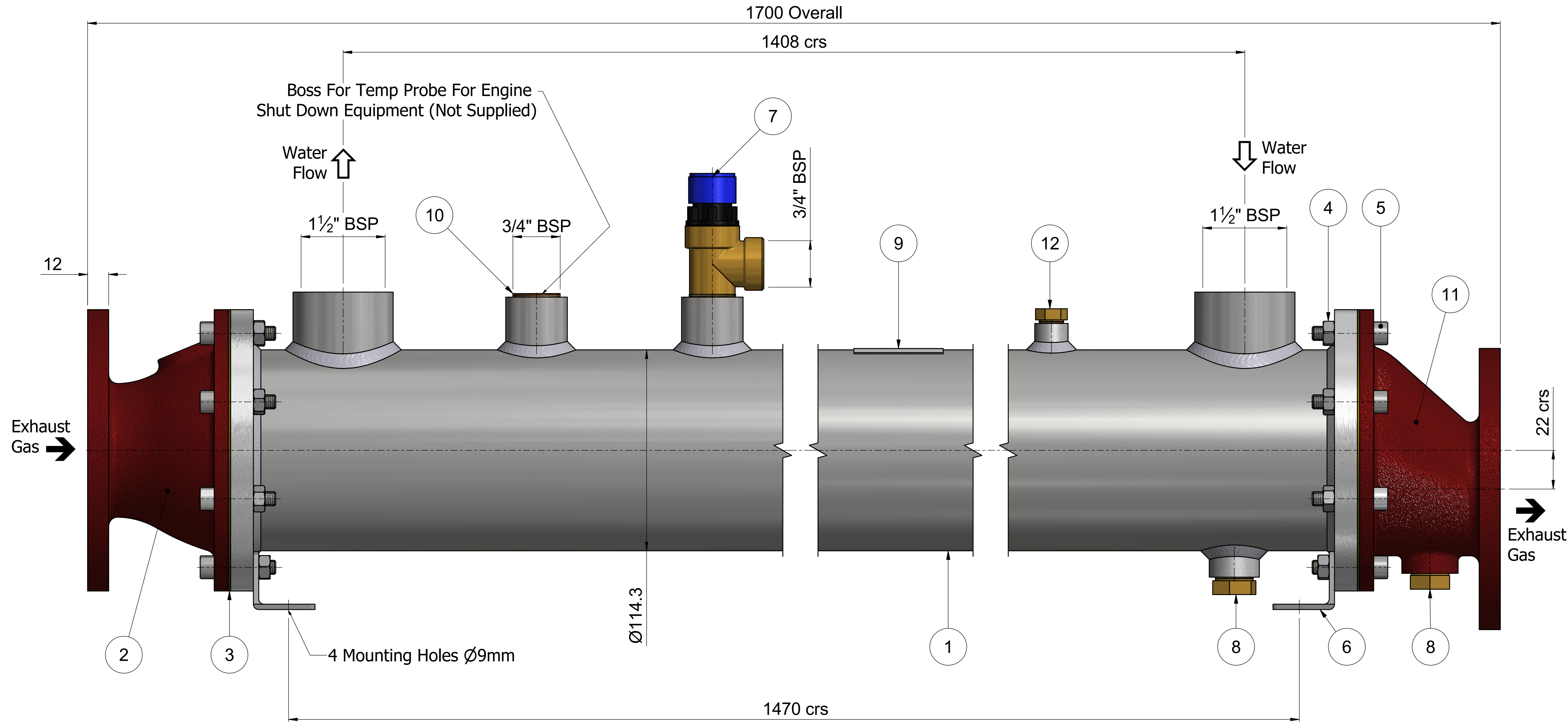


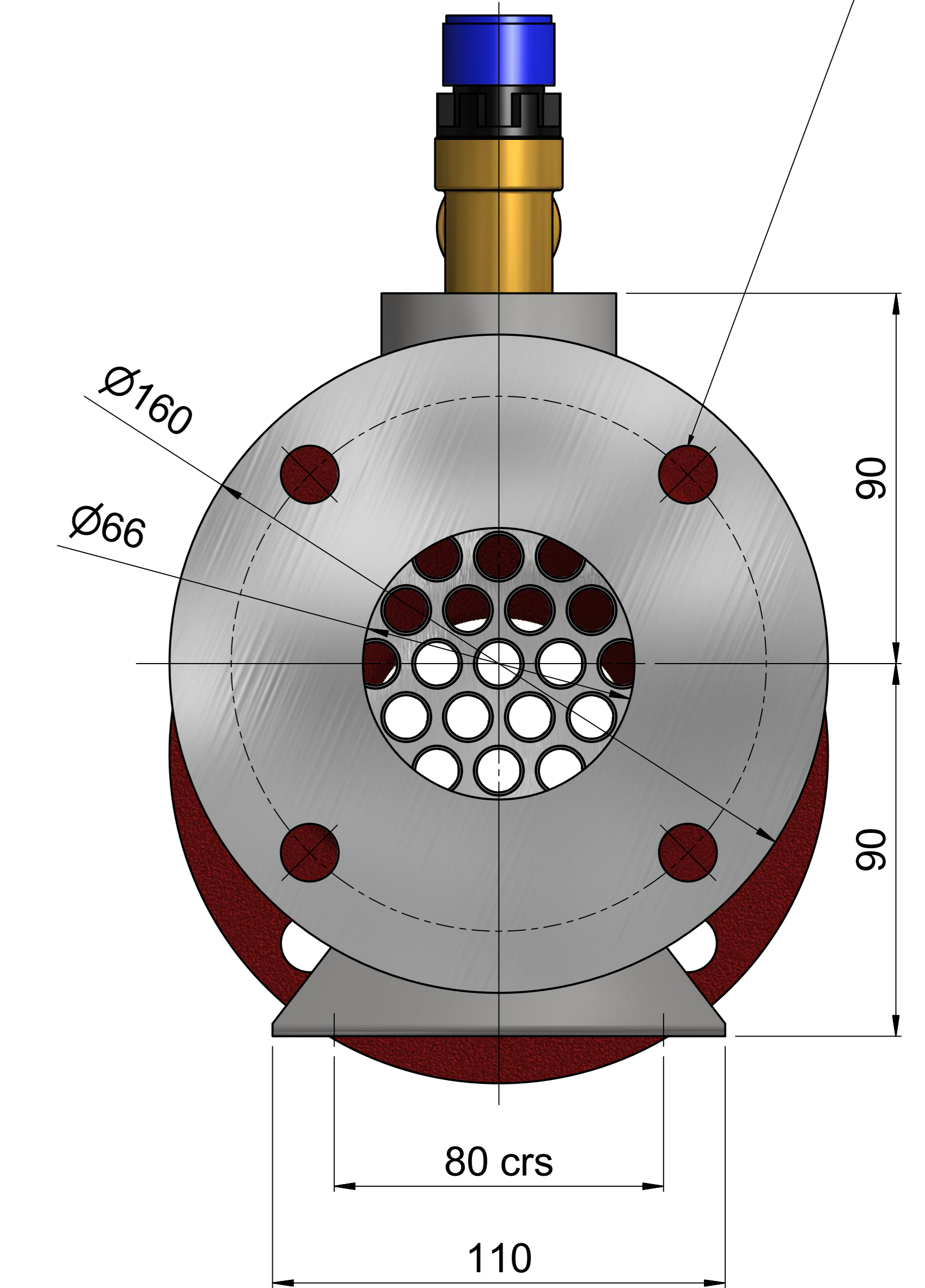
ISS N	MODIFICATION	DATE	SIGN
2	Water Port Height Corrected	20/08/12	J.SWAIN
3	Full Part Numbers Added To BoM, BSI Logo Updated	10/11/14	J. SWAIN

THIS DRAWING IS STRICTLY PRIVATE AND CONFIDENTIAL AND IS THE SOLE PROPERTY OF E.J. BOWMAN (BIRMINGHAM) LTD. IT IS SUBJECT TO BOTH COPYRIGHT AND DESIGN RIGHT PROTECTION. ANY REPRODUCTION OF THIS DRAWING IN PART OR WHOLE SHALL BE MADE ONLY WITH THE WRITTEN CONSENT OF A DIRECTOR OF THE COMPANY.

DO NOT SCALE - IF IN DOUBT ASK!



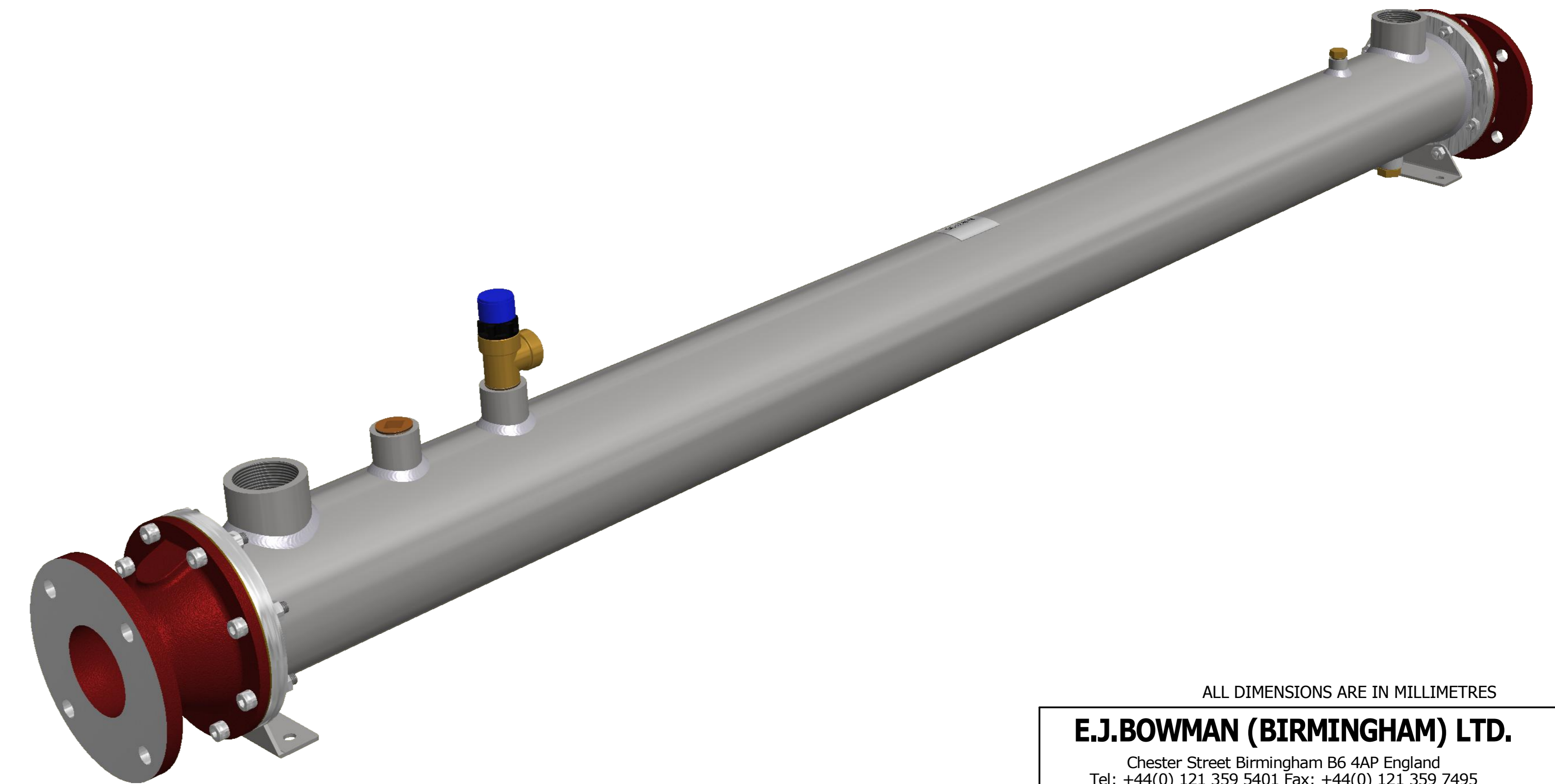
Exhaust Flanges 4 Holes Equi-Spaced
As Shown on 130mm PCD Drilled Ø14mm



⇨ Direction Of Water Flow
➔ Direction Of Exhaust Gas Flow

Part No.	Drg No.	Qty	Description	Item	Material
915B	-	1	Plug - 1/4" BSP	12	Brass
EX034-4059CI	4059	1	EX34 End Cover Eccentric	11	C.I.
3597	3597	1	CSK Plug - 3/4" BSP	10	C.I.
4463	4463	1	Nameplate	9	S.S.
916	916	2	Plug - 1/2" BSP	8	Brass
4028	4028	1	Safety Valve	7	Brass
4478	4478	2	Mounting Foot	6	M.S.
HS08X35SS	-	16	Socket Screw - M8 x 35mm	5	S.S.
HN08SS	-	16	Hex Head Nut - M8	4	S.S.
3789	3789	2	Gasket	3	SP-AF/II
EX044-3759CI	3759	1	EX44 End Cover Concentric	2	C.I.
3779-8TD	3779-8	1	Tubestack 4-60	1	S.S.

Notes:
Maximum Working Water Pressure - 4 Bar
Maximum Working Water Temperature - 110°C
Maximum Working Exhaust Gas Pressure - 0.5 Bar
Maximum Working Exhaust Gas Temperature - 700°C
See Range Drawing No. 3739 For Revision History.



ALL DIMENSIONS ARE IN MILLIMETRES

E.J. BOWMAN (BIRMINGHAM) LTD.
Chester Street Birmingham B6 4AP England
Tel: +44(0) 121 359 5401 Fax: +44(0) 121 359 7495
email: info@ejbowman.co.uk www.ejbowman.co.uk



DRAWN:	J. SWAIN	TITLE:	4-60 Exhaust Gas Heat Exchanger	
DATE:	17/06/2012	DRG No:		3739-8
REDRAWN:				
DATE:				
CHECKED:				
SCALE:	1:1			