



## LOAD CELLS

### double-ended shear beam load cells

460

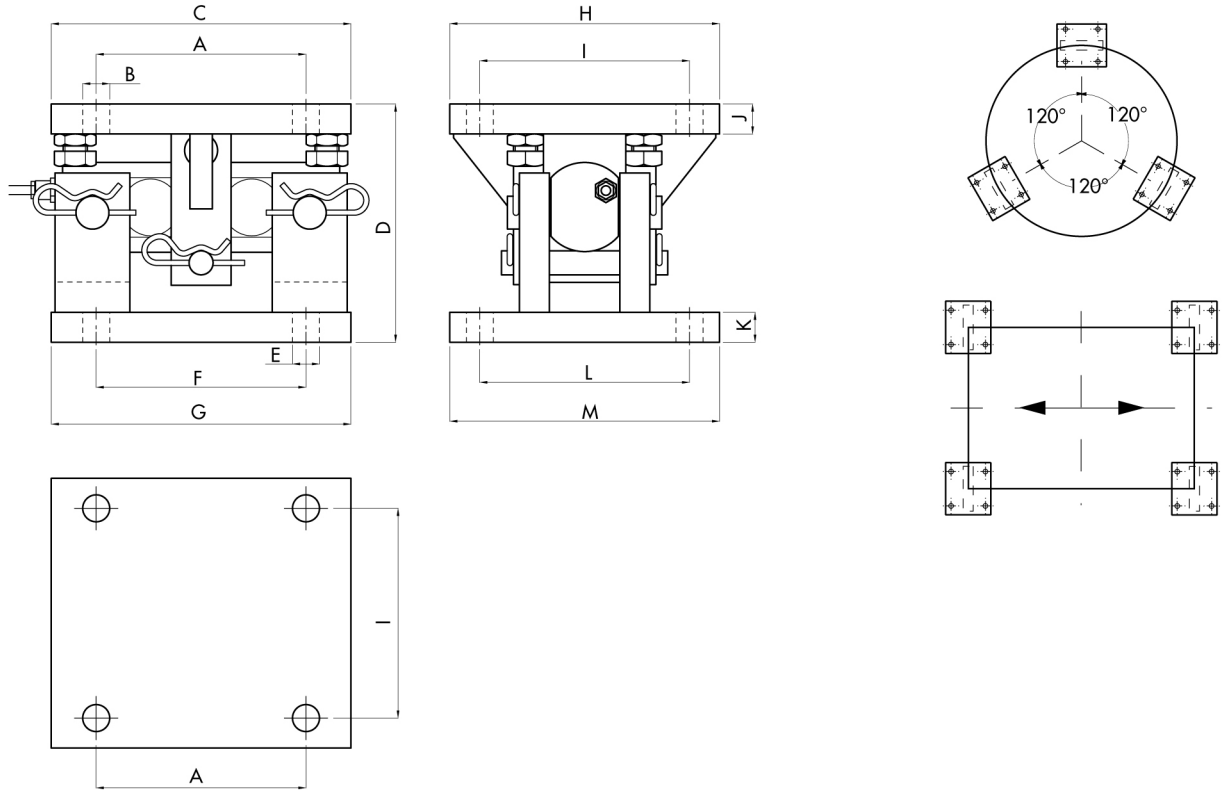
Suitable for weighing tanks and silos  
 ATEX (optional)  
 Approved 3000 division O.I.M.L. R60 C Class  
 Stainless steel  
 Fully welded airtight  
 IP68 Protection (EN 60529)  
 Easy to install  
 High linearity and low mechanical profile  
 High temperature version (optional)  
 3 ton version -NO OIML, NO ATEX-

#### TECHNICAL CHARACTERISTICS 460

Rated load (R.L.):	3 ton (NO OIML), 5, 10, 20, 30, 50, 75, 100 ton
Combined error:	< ±0.017% of R.O.
Repeatability:	< ±0.015% of R.O.
Creep (20 minutes):	< ±0.016% of R.L.
Safe overload:	150% of R.L.
Ultimate overload:	200% of R.L.
Recommended input:	5÷15 Vdc/Vac
Input resistance:	800 ± 20 Ohm
Output resistance:	700 ± 3 Ohm
Insulation resistance:	> 5000 M Ohm
Rated output (R.O.):	2 ± 0.1% mV/V
Zero balance:	< ±2% of R.O.
Temperature range:	-30 ÷ +70 °C
Compensated temperature range:	-10 ÷ +40 °C
Temperature effect on zero balance:	< ±0.010% of R.O./5°K
Temperature effect on output:	< ±0.006% on output/5°K
Max load deflection:	0.6÷1 mm
Precision class:	3000 n. OIML
Degree of protection:	IP68
Electrical connection:	6 conductors shielded cable; length 12 m



**LOAD CELLS**  
double-ended shear beam load cells  
460

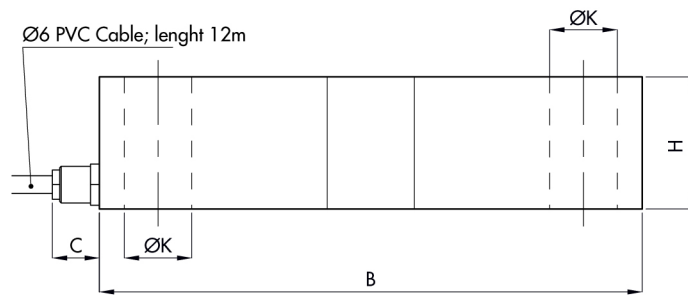
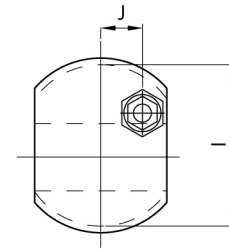
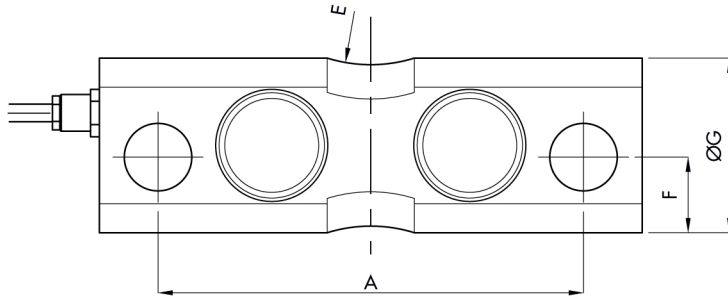


	3-20t	30-50t	75-100t	3-20t S.Steel	30-50t S.Steel	75-100t S.Steel
MAX. PERMISSIBLE SIDE LOAD OFFSET TRANSVERSE TO LOAD CELL	±5mm	±5mm	±10mm	±5mm	±5mm	±10mm
MAX. PERMISSIBLE LIFTING FORCE	6.4 T	10.3 T	21.1 T	8 T	13 T	21.8 T
MAX. PERMISSIBLE FORCE TRANSVERSE TO LOAD CELL	4.2 T	7 T	9.7 T	3.6 T	5.4 T	7.4 T
MAX. PERMISSIBLE FORCE LONGITUDINAL TO LOAD CELL	9.4 T	14.6 T	15.4 T	7.2 T	14.4 T	18.4 T

CAPACITY	A	ØB	C	D	ØE	F	G	H	I	J	K	L	M	WEIGHT
3-20t	140	18	200	160	18	140	200	180	140	20	20	140	180	17kg
30-50t	175	22	300	200	22	175	300	220	175	25	25	175	220	39kg
75-100t	220	26	370	270	26	220	370	300	220	30	30	220	300	82kg



**LOAD CELLS**  
 double-ended shear beam load cells  
 460



Electrical Connection	
+Excitation	Green
-Excitation	Black
+Sense	Blue
-Sense	Yellow
+Signal	Red
-Signal	White
Shield	Cable shield

CAPACITY	A	B	C	D	E	F	ØG	H	ØI	J	ØK	WEIGHT
5-20t	145	185	16	41	r.50	25.7	59.5	45	55	14	23	3.2kg
30-50t	220	285	16	48	r.50	29.7	74.5	60	66	22	30	8kg
75-100t	260	340	16	66	r.50	37.2	99.5	80	91	32	50	14.3kg

