

# 5 WAY DISTRIBUTORS FOR PNEUMATIC APPLICATIONS

# 5 WAY DISTRIBUTORS FOR PNEUMATIC APPLICATIONS



## 5 WAY PNEUMATIC DISTRIBUTORS (PIPE MOUNTING/SUB-BASE MOUNTING)



# 5/2

Actuation	Body	Function	Port Size	Orifice (mm)	Qn (l/min)	MOPD (bar)	Max Fluid Temp. (°C)	Page Parker Valves	Page Parker LUCIFER® Valves
Pilot Operated	Anodized aluminium/ Pipe mounting	Normally Closed	1/8"-1/4"	6	630	10	75	-	276
			1/4"	6 to 14	2500	40	75	-	276
			1/2"	14	2500	15	75	-	278
		Control by Electric Impulse	1/8"-1/4"	6	630	10	75	-	280
			1/4"	8 to 14	2500	15	75	-	280
			1/8"	4	400	10	75	-	282
	Anodized aluminium/ Pipe mounting/Poppet	Normally Closed	1/8"	4	400	10	75	-	282
		Dual Solenoids	1/8"	4	315	10	75	-	282
	Anodized aluminium/ Sub-base mounting	Normally Closed	1/8"	6	630	10	75	-	284
		Control by Electric Impulse	1/8"	6	630	10	75	-	284
	Anodized aluminium/ Sub-base mounting/ Poppet	Normally Closed	-	15	5000	10	75	-	286
			1/8"	15	5000	10	75	-	286
			4 mm	4	400	10	75	-	286
		Dual Solenoids	4 mm	4	315	10	75	-	288
			Control by Electric Impulse	-	15	5000	10	75	-
		Anodized aluminium/ CETOP/Poppet	Dual Solenoids	1/8"	6	800	10	75	-
Zinc Alloy/Pipe mounting/Poppet	Normally Closed	1/4"	8	1400	10	75	-	290	
	Dual Solenoids	1/4"	8	1400	10	100	-	292	
POM/CETOP/Poppet	Normally Closed	-	6 to 8	800	10	75	-	292	
		1/8"	6	800	10	75	-	294	
	Control by Electric Impulse	1/8"	6	800	10	75	-	296	
Externally Operated	Anodized aluminium/ Sub-base mounting	Normally Closed	1/8"	7	800	10	75	-	298

# 5/2

## 5 WAY PNEUMATIC DISTRIBUTORS (PIPE MOUNTING/SUB-BASE MOUNTING) PILOT OPERATED



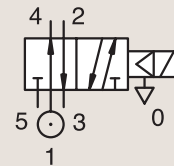
Process



Industrial Equipment

### ANODIZED ALUMINIUM PIPE MOUNTING

#### NORMALLY CLOSED



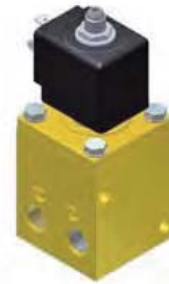
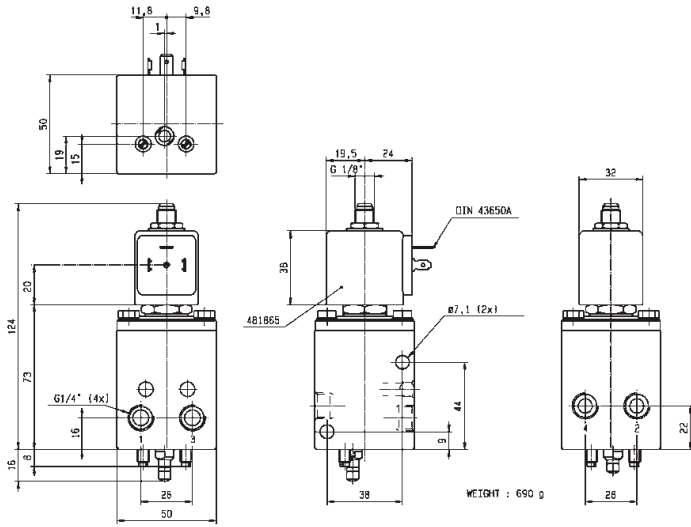
Port size	Orifice Ø	Flow factor	Operating Pressure Differential			Fluid Temp.		Seat Seal	Parker LUCIFER® Valves			IS	Power		Coil Group	Dwg. No.
			Min	Max (MOPD)		Min	Max		Valve Ref.	Housing Ref.	Coil Ref.		AC W	DC W		
BSP	1	Qn l/min	bar	AC bar	DC bar	°C	°C									
1/8"-1/4"	6	630	1	10	10	-10	75	FKM	341B34 <sub>3</sub>	4270	481000		8	8	2.0	3286
	6	630	1	10	10	-10	75	FKM	341B34 <sub>3</sub>	2995	481865		8	9	2.0	3286
	6	630	1	10	10	-10	75	FKM	341B34 <sub>3</sub>	4270	486265		14	14	2.0	3286
	6	630	1	10	10	-10	75	FKM	341B3403	4270	481000		8	8	2.1	3286
	6	630	1	10	10	-10	75	FKM	341B3403	2995	481865		8	9	2.1	3286
	6	560	1	-	10	-10	55	NBR	341B3490	2995	483580.01	*	-	0.5 to 3	7.0/8.0	3561
	6	560	1	-	10	-10	75	NBR	341B3490	-	488660.01	*	-	0.3 to 3	7.0/8.0	3561
	6	560	1	-	10	-10	75	NBR	341B3490	-	495910	*	-	0.3 to 3	7.0/8.0	3561
1/4"	6	630	1	10	10	-25	75	PUR	341B3440	4270	481000		8	8	2.1	3286
	6	630	1	10	10	-25	75	PUR	341B3440	2995	481865		8	9	2.1	3286
	8	640	1	40	40	-10	75	NBR	341B02 <sub>2</sub>	4270	481000		8	8	2.1	8115
	8	640	1	40	40	-10	75	NBR	341B02 <sub>2</sub>	2995	481865		8	9	2.1	8115

**Notes:**

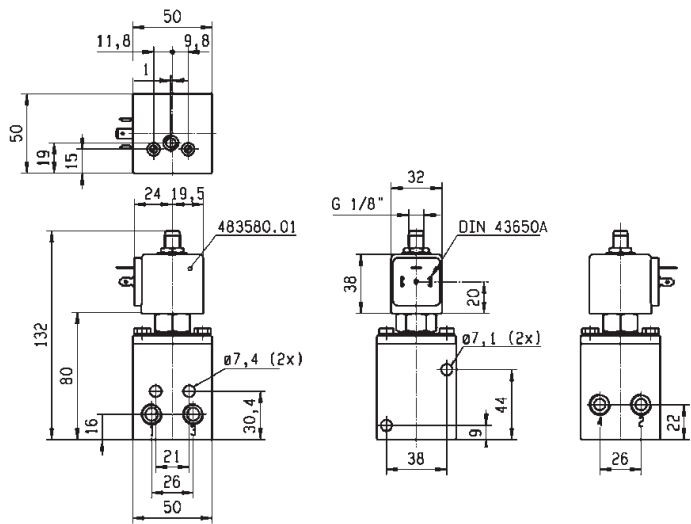
- 1. Valve only compatible with air and neutral gases
- 2. Valve with pilot return pipe on exhaust port
- 3. With flow regulator



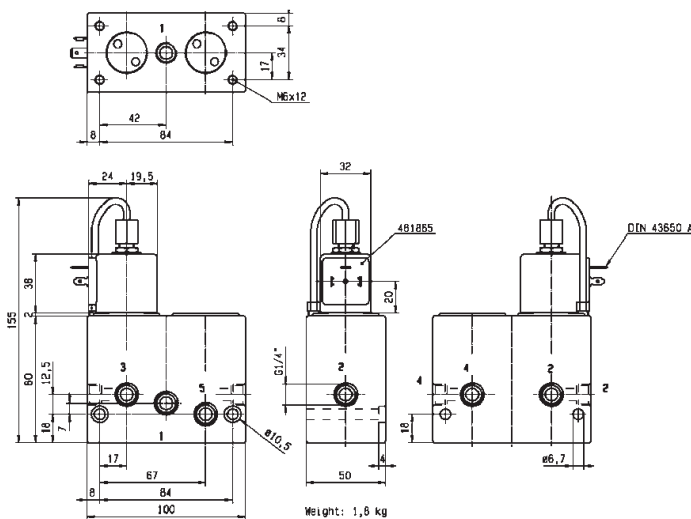
For this page	Port size	Orifice (mm)	Qn (l/min)	MOPD (bar)	Fluid Temp (°C)	Amb Temp (°C)
From	1/8"-1/4"	6	560	10	-25	-25
To	1/4"	8	640	40	75	50



Drawing 3286



Drawing 3561



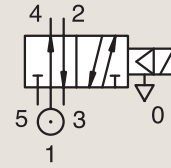
Drawing 8115

**5/2**

# 5 WAY PNEUMATIC DISTRIBUTORS (PIPE MOUNTING/SUB-BASE MOUNTING) PILOT OPERATED

ANODIZED ALUMINIUM  
PIPE MOUNTING

**NORMALLY CLOSED**



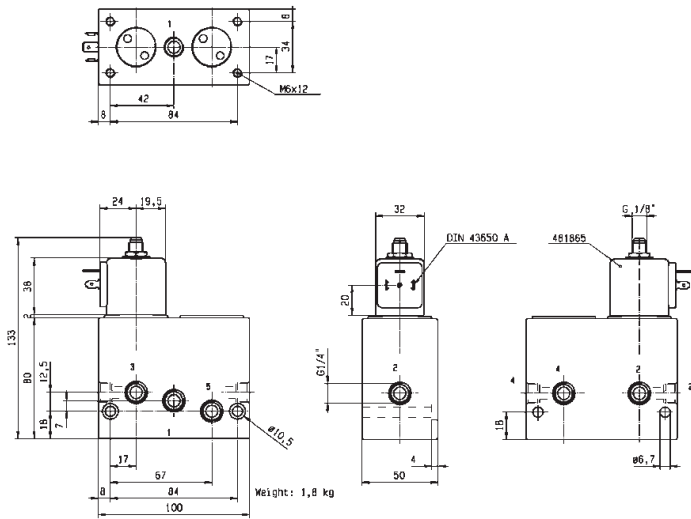
Port size	Orifice Ø 1	Flow factor Qn l/min	Operating Pressure Differential			Fluid Temp.		Seat Seal	Parker LUCIFER® Valves			IS	Power		Coil Group	Dwg. No.
			Min	Max (MOPD)	Max	Min	Max		Valve Ref.	Housing Ref.	Coil Ref.		AC W	DC W		
BSP	mm		bar	AC bar	DC bar	°C	°C									
1/4"	8	1000	1	15	15	-10	75	NBR	E341B01	2995	481865		8	9	2.1	3309
	8	1000	1	15	15	-10	75	NBR	E341B01	4270	485100		8	8	2.1	3309
	14	2500	2	15	15	-10	75	NBR	E341F21	4270	481000		8	8	2.1	3310
1/2"	14	2500	1	15	15	-10	75	NBR	E341B21 <sub>1</sub>	2995	481865		8	9	2.1	3315
	14	2500	1	15	15	-10	75	NBR	E341B21 <sub>1</sub>	-	483371		8	8	2.1	3315

**Notes:**

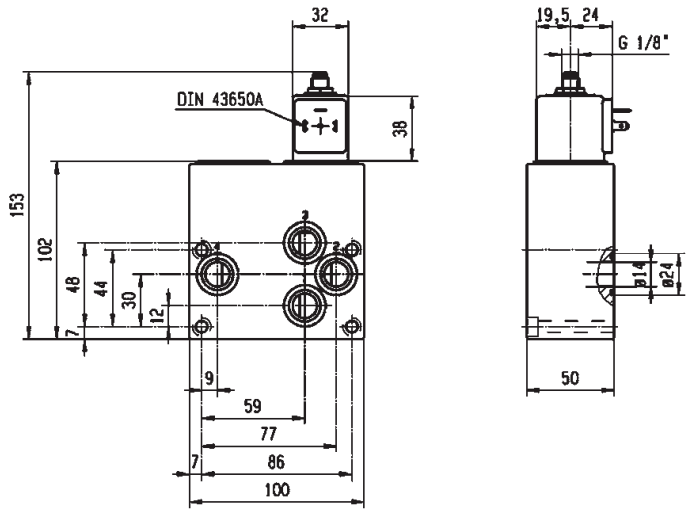
1. Valve only compatible with air and neutral gases
2. Valve with pilot return pipe on exhaust port
3. With flow regulator



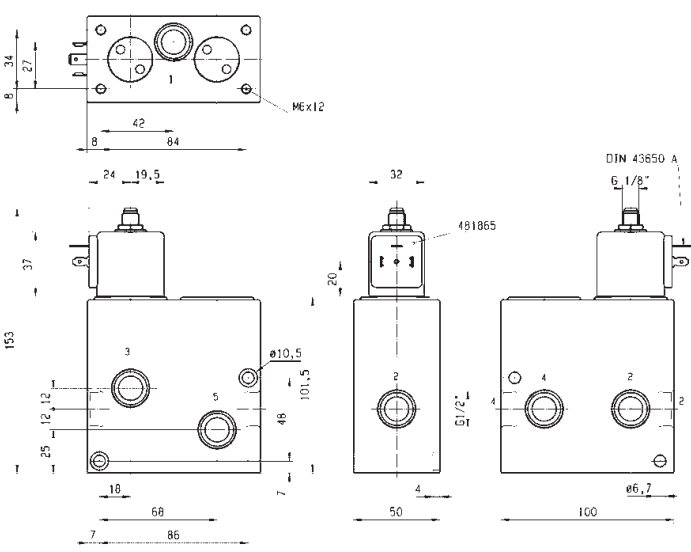
For this page	Port size	Orifice (mm)	Qn (l/min)	MOPD (bar)	Fluid Temp (°C)	Amb Temp (°C)
From	1/4"	8	1000	15	-10	-10
To	1/2"	14	2500	15	75	50



Drawing 3309



Drawing 3310



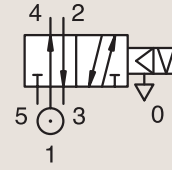
Drawing 3315

**5/2**

# 5 WAY PNEUMATIC DISTRIBUTORS (PIPE MOUNTING/SUB-BASE MOUNTING) PILOT OPERATED

## ANODIZED ALUMINIUM PIPE MOUNTING

### CONTROL BY ELECTRIC IMPULSE



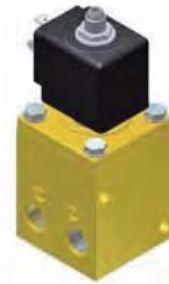
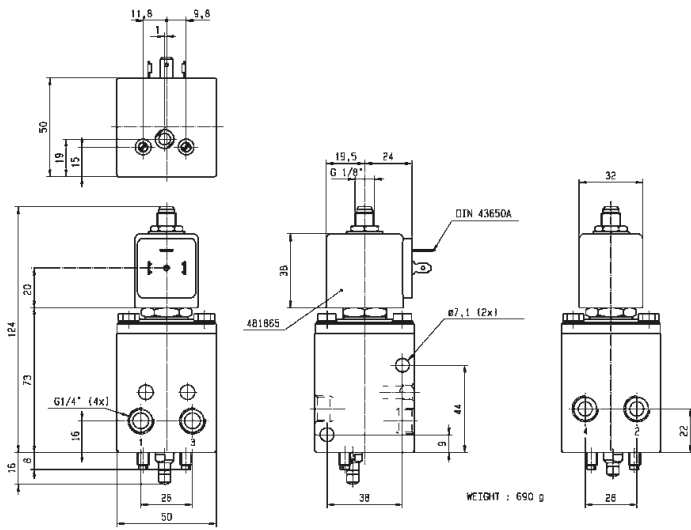
Port size	Orifice Ø	Flow factor	Operating Pressure Differential			Fluid Temp.		Seat Seal	Parker LUCIFER® Valves			Power		Coil Group	Dwg. No.
			Min	Max (MOPD)	Min	Max	Valve Ref.		Housing Ref.	Coil Ref.	AC W	DC W			
BSP	1	Qn l/min	bar	AC bar	DC bar	°C	°C								
1/8"- 1/4"	6	630	1	10	-	-10	75	NBR	345B34 <sub>12</sub>	4269	484990	11	-	4.0	3286
	6	630	1	-	10	-10	75	NBR	345B34 <sub>12</sub>	4269	485400	-	13	4.0	3286
1/4"	8	1000	1	15	-	-10	75	NBR	345B04	4269	484990	11	-	4.0	3309
	8	1000	1	-	15	-10	75	NBR	345B04	4269	485400	-	13	4.0	3309
	14	2500	1	15	-	-10	75	NBR	345B24	4269	484990	11	-	4.0	3315
	14	2500	1	-	15	-10	75	NBR	345B24	4269	485400	-	13	4.0	3315

**Notes:**

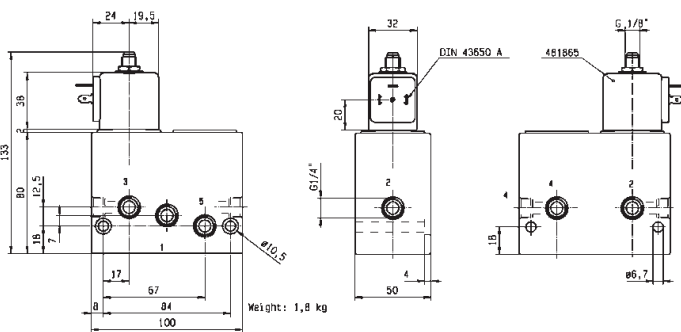
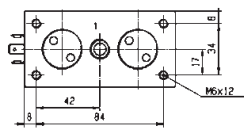
1. Valve only compatible with air and neutral gases
2. With flow regulator



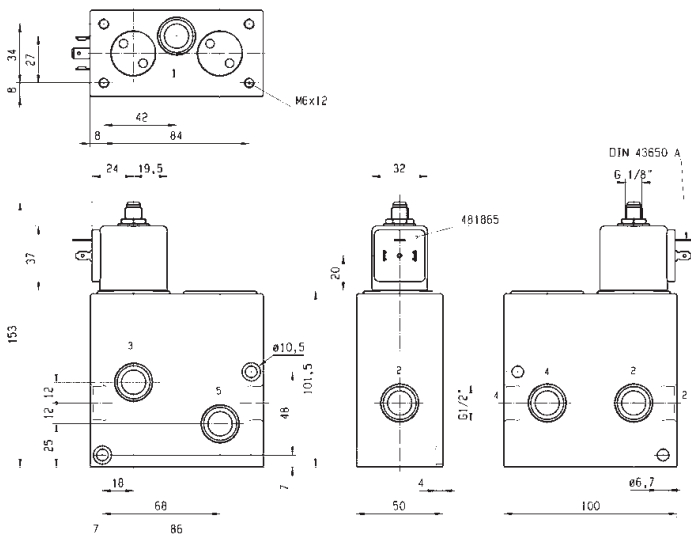
For this page	Port size	Orifice (mm)	Qn (l/min)	MOPD (bar)	Fluid Temp (°C)	Amb Temp (°C)
From	1/8"-1/4"	6	630	10	-10	-10
To	1/4"	14	2500	15	75	50



Drawing 3286



Drawing 3309



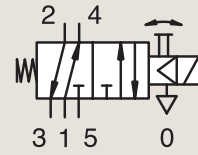
Drawing 3315



# 5/2

## 5 WAY PNEUMATIC DISTRIBUTORS (PIPE MOUNTING/SUB-BASE MOUNTING) PILOT OPERATED

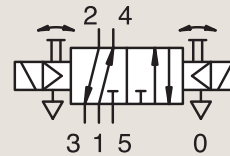
### ANODIZED ALUMINIUM PIPE MOUNTING



#### NORMALLY CLOSED

Port size	Orifice Ø	Flow factor	Operating Pressure Differential			Fluid Temp.		Seat Seal	Parker LUCIFER® Valves			Power		Coil Group	Dwg. No.
			1	Min	Max (MOPD)	Min	Max		Valve Ref.	Housing Ref.	Coil Ref.	AC W	DC W		
1/8"	4	400	1	10	10	-10	75	NBR	341L9101	-	482605	4	5	1.1	3894
	4	400	1	10	10	-10	75	NBR	341L9101	-	482606	2	2.5	1.1	3894
	4	400	1	10	10	-10	75	NBR	341L9101	8993	488980	2	2.5	1.1	3894
	4	400	1	10	10	-10	75	NBR	341L9101	8993	495865	2	2.5	1.1	3894

### ANODIZED ALUMINIUM PIPE MOUNTING

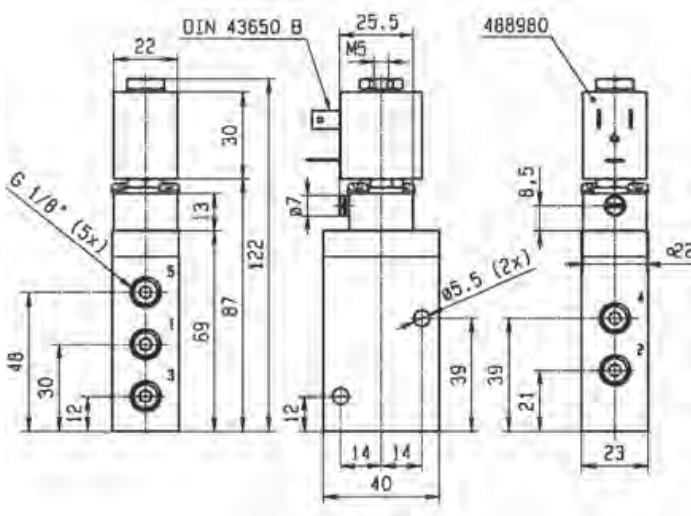


#### DUAL SOLENOIDS

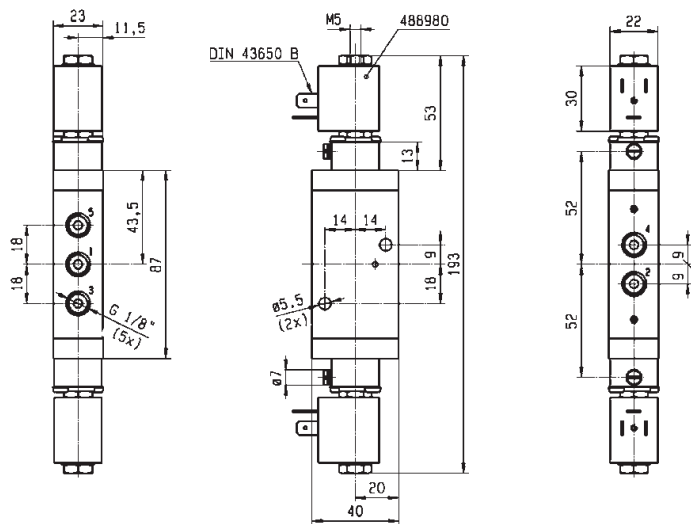
Port size	Orifice Ø	Flow factor	Operating Pressure Differential			Fluid Temp.		Seat Seal	Parker LUCIFER® Valves			Power		Coil Group	Dwg. No.
			1	Min	Max (MOPD)	Min	Max		Valve Ref.	Housing Ref.	Coil Ref.	AC W	DC W		
1/8"	4	315	2	10	10	-10	75	NBR	347L9101	-	482605	4	5	1.1	3896
	4	315	2	10	10	-10	75	NBR	347L9101	-	482606	2	2.5	1.1	3896
	4	315	2	10	10	-10	75	NBR	347L9101	8993	488980	2	2.5	1.1	3896
	4	315	2	10	10	-10	75	NBR	347L9101	8993	495865	2	2.5	1.1	3896



For this page	Port size	Orifice (mm)	Qn (l/min)	MOPD (bar)	Fluid Temp (°C)	Amb Temp (°C)
From	1/8"	4	315	10	-10	-10
To	1/8"	4	400	10	75	50



Drawing 3894



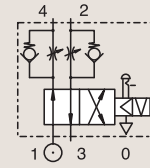
Drawing 3896

# 5/2

## 5 WAY PNEUMATIC DISTRIBUTORS (PIPE MOUNTING/SUB-BASE MOUNTING) PILOT OPERATED

### ANODIZED ALUMINIUM SUB-BASE MOUNTING

#### NORMALLY CLOSED

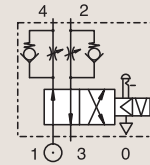


Port size	Orifice Ø 1 mm	Flow factor Qn l/min	Operating Pressure Differential			Fluid Temp.		Seat Seal	Parker LUCIFER® Valves			Power		Coil Group	Dwg. No.
			Min bar	Max (MOPD)		Min °C	Max °C		Valve Ref.	Housing Ref.	Coil Ref.	AC W	DC W		
				AC bar	DC bar										
SB	6	630	1	10	10	-10	75	FKM	341F34 <sub>1</sub>	2995	481865	8	9	2.1	3287
	6	630	1	10	10	-10	75	FKM	341F34 <sub>1</sub>	4270	481000	8	8	2.1	3287
	6	630	1	10	10	-10	75	FKM	341F3403	2995	481865	8	9	2.1	3287
	6	630	1	10	10	-10	75	FKM	341F3403	4270	481000	8	8	2.1	3287
	6	630	1	10	10	-25	75	NBR	341F3440	2995	481865	8	9	2.1	3287

**Notes:**  
1. With flow regulator

### ANODIZED ALUMINIUM SUB-BASE MOUNTING

#### CONTROL BY ELECTRIC IMPULSE

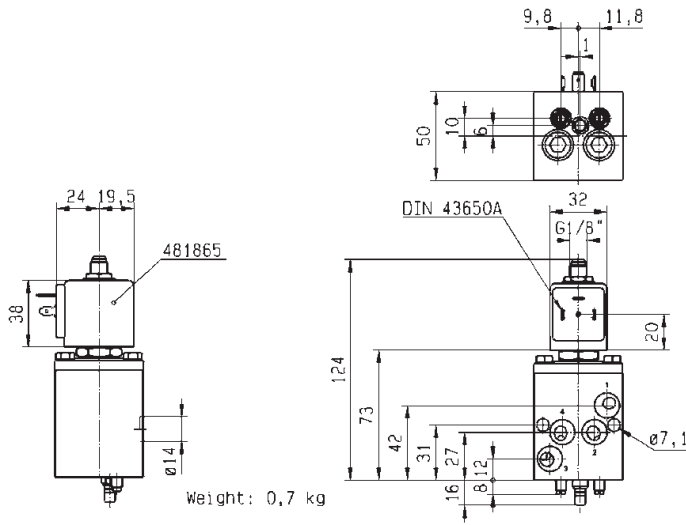


Port size	Orifice Ø 1 mm	Flow factor Qn l/min	Operating Pressure Differential			Fluid Temp.		Seat Seal	Parker LUCIFER® Valves			Power		Coil Group	Dwg. No.
			Min bar	Max (MOPD)		Min °C	Max °C		Valve Ref.	Housing Ref.	Coil Ref.	AC W	DC W		
				AC bar	DC bar										
SB	6	630	1	10	-	-10	75	FKM	345F34 <sub>1</sub>	4269	484990	11	-	4.0	3287
	6	630	1	-	10	-10	75	FKM	345F34 <sub>1</sub>	4269	485400	-	13	4.0	3287

**Notes:**  
1. With flow regulator



For this page	Port size	Orifice (mm)	Qn (l/min)	MOPD (bar)	Fluid Temp (°C)	Amb Temp (°C)
From	SB	6	630	10	-25	-25
To	SB	6	630	10	75	50



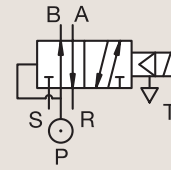
Drawing 3287

**5/2**

# 5 WAY PNEUMATIC DISTRIBUTORS (PIPE MOUNTING/SUB-BASE MOUNTING) PILOT OPERATED

## ANODIZED ALUMINIUM SUB-BASE MOUNTING

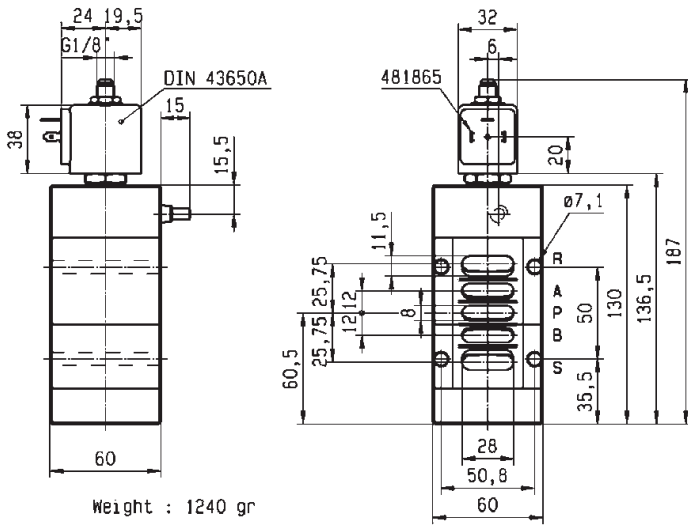
### NORMALLY CLOSED



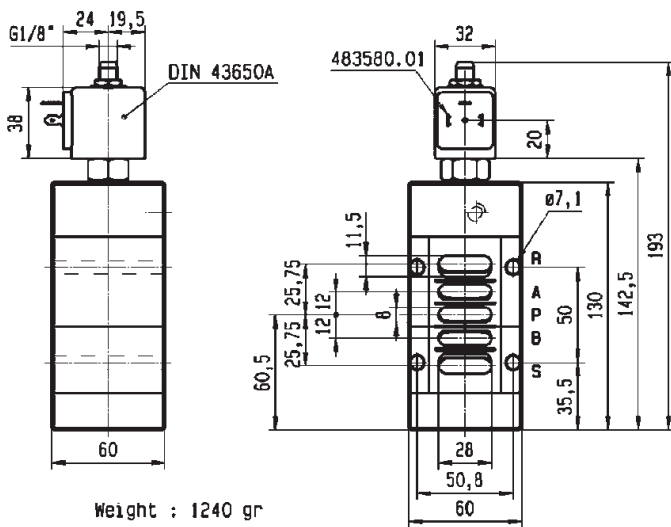
Port size	Orifice Ø 1	Flow factor Qn l/min mm	Operating Pressure Differential			Fluid Temp.		Seat Seal	Parker LUCIFER® Valves			IS	Power		Coil Group	Dwg. No.
			Min	Max (MOPD)		Min	Max		Valve Ref.	Housing Ref.	Coil Ref.		AC W	DC W		
				bar	AC bar											
SB	15	5000	0.5	10	10	-10	75	FKM	E341L21	2995	481865	8	9	2.1/3.0	3299	
	15	5000	0.5	10	10	-10	75	FKM	E341L21	-	495905	8	8	2.1/3.0	3299	
SB	15	5000	0.5	-	10	-10	55	NBR	341L2190	2995	483580.01	*	-	0.5 to 3	7.0	8271
	15	5000	0.5	-	10	-10	75	NBR	341L2190	-	488660.01	*	-	0.3 to 3	7.0	8271
	15	5000	0.5	-	10	-10	75	NBR	341L2190	-	495910	*	-	0.3 to 3	7.0	8271
SB	4	400	1	10	10	-10	75	NBR	341L9201	-	482605	-	5	1.1	3895	
	4	400	1	10	10	-10	75	NBR	341L9201	-	482606	2	2.5	1.1	3895	
	4	400	1	10	10	-10	75	NBR	341L9201	8993	488980	2	2.5	1.1	3895	
	4	400	1	10	10	-10	75	NBR	341L9201	8993	495865	2	2.5	1.1	3895	



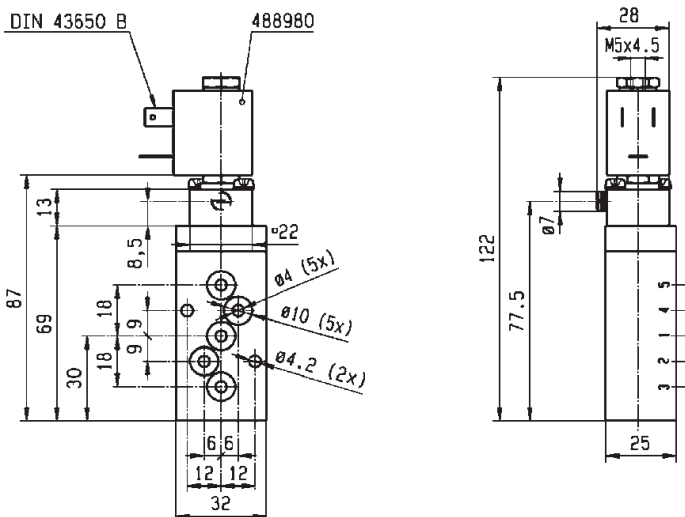
For this page	Port size	Orifice (mm)	Qn (l/min)	MOPD (bar)	Fluid Temp (°C)	Amb Temp (°C)
From	SB	4	400	10	-10	-10
To	SB	15	5000	10	75	50



Drawing 3299



Drawing 8271

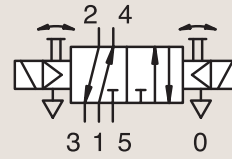


Drawing 3895

# 5/2

## 5 WAY PNEUMATIC DISTRIBUTORS (PIPE MOUNTING/SUB-BASE MOUNTING) PILOT OPERATED

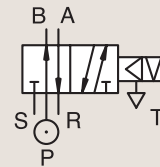
### ANODIZED ALUMINIUM SUB-BASE MOUNTING



#### DUAL SOLENOIDS

Port size	Orifice Ø 1 mm	Flow factor Qn l/min	Operating Pressure Differential			Fluid Temp.		Seat Seal	Parker LUCIFER® Valves			Power		Coil Group	Dwg. No.
			Min bar	Max (MOPD)		Min °C	Max °C		Valve Ref.	Housing Ref.	Coil Ref.	AC W	DC W		
				AC bar	DC bar										
SB	4	315	2	10	10	-10	75	NBR	347L9201	-	482605	-	5	1.1	3897
	4	315	2	10	10	-10	75	NBR	347L9201	-	482606	2	2.5	1.1	3897
	4	315	2	10	10	-10	75	NBR	347L9201	8993	488980	2	2.5	1.1	3897
	4	315	2	10	10	-10	75	NBR	347L9201	8993	495865	2	2.5	1.1	3897

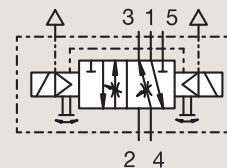
### ANODIZED ALUMINIUM SUB-BASE MOUNTING



#### CONTROL BY ELECTRIC IMPULSE

Port size	Orifice Ø 1 mm	Flow factor Qn l/min	Operating Pressure Differential			Fluid Temp.		Seat Seal	Parker LUCIFER® Valves			Power		Coil Group	Dwg. No.
			Min bar	Max (MOPD)		Min °C	Max °C		Valve Ref.	Housing Ref.	Coil Ref.	AC W	DC W		
				AC bar	DC bar										
SB	15	5000	0.5	10	-	-10	75	NBR	345L21	4269	484990	11	-	4.0	3299
	15	5000	0.5	-	10	-10	75	NBR	345L21	4269	485400	-	13	4.0	3299

### ANODIZED ALUMINIUM CETOP



#### DUAL SOLENOIDS

Port size	Orifice Ø 1 mm	Flow factor Qn l/min	Operating Pressure Differential			Fluid Temp.		Seat Seal	Parker LUCIFER® Valves			Power		Coil Group	Dwg. No.
			Min bar	Max (MOPD)		Min °C	Max °C		Valve Ref.	Housing Ref.	Coil Ref.	AC W	DC W		
				AC bar	DC bar										
BSP 1/8"	6	800	1	10	10	-10	75	NBR	347L04	8993	488980	2	2.5	1.1	3694



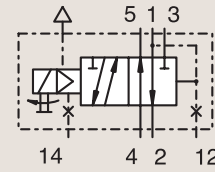


**5/2**

# 5 WAY PNEUMATIC DISTRIBUTORS (PIPE MOUNTING/SUB-BASE MOUNTING) PILOT OPERATED

ZINC ALLOY  
PIPE MOUNTING

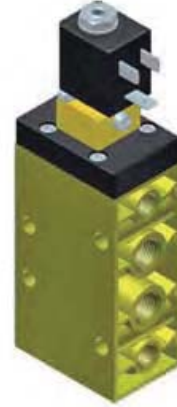
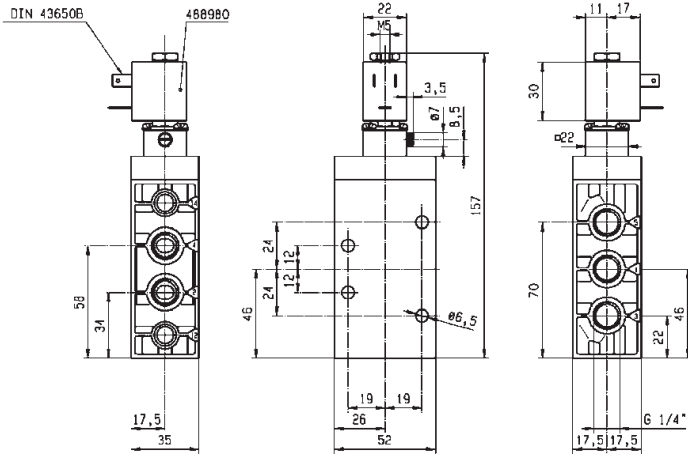
**NORMALLY CLOSED**



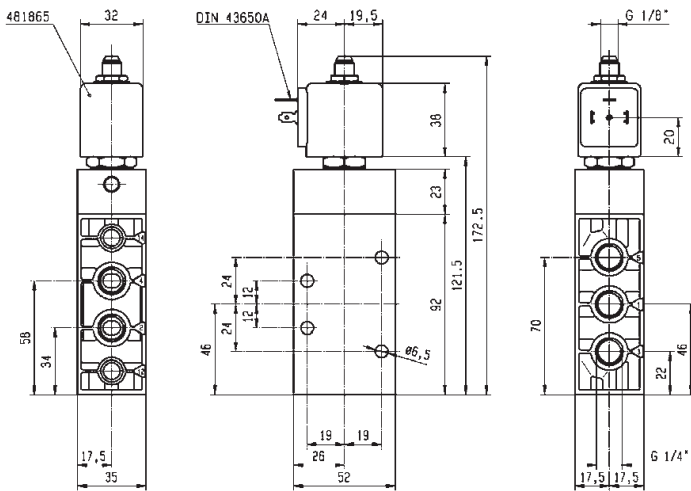
Port size	Orifice Ø	Flow factor	Operating Pressure Differential			Fluid Temp.		Seat Seal	Parker LUCIFER® Valves			Power		Coil Group	Dwg. No.
			Min	Max (MOPD)	Min	Max	Valve Ref.		Housing Ref.	Coil Ref.	AC W	DC W			
BSP	1	Qn l/min	bar	AC bar	DC bar	°C	°C								
1/4"	8	1400	1	10	10	-10	75	NBR	341L11	-	482605	4	5	1.1	3434
	8	1400	1	10	10	-10	75	NBR	341L11	-	482606	2	2.5	1.1	3434
	8	1400	1	10	10	-10	75	NBR	341L11	8993	488980	2	2.5	1.1	3434
	8	1400	1	10	10	-10	75	NBR	341L11	8993	495865	2	2.5	1.1	3434
	8	1400	1	10	10	-10	75	NBR	E341L1130	2995	481865	8	9	2.1/3.0	3539
	8	1400	1	10	10	-10	75	NBR	E341L1130	-	483371	8	8	2.1/3.0	3539
1/4" NPT	8	1400	1	10	10	-10	75	FKM	U341L1130	2995	481865	8	9	2.1	8297
	8	1400	1	10	10	-10	75	FKM	U341L1130	2995	491514	11	12	2.1	8297



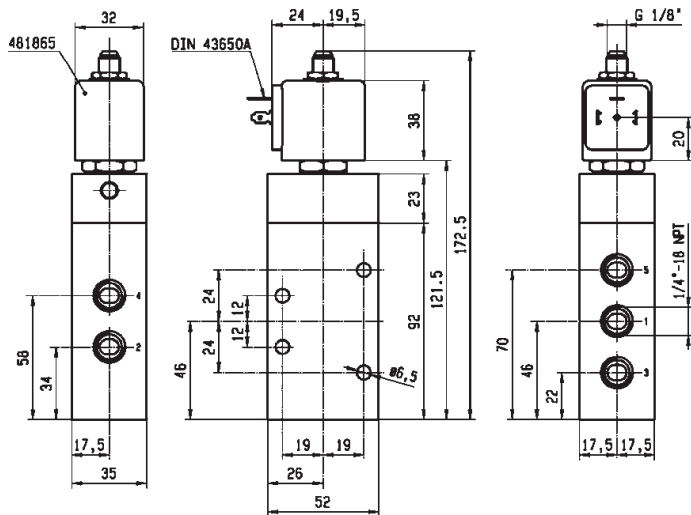
For this page	Port size	Orifice (mm)	Qn (l/min)	MOPD (bar)	Fluid Temp (°C)	Amb Temp (°C)
From	1/4"	8	1400	10	-10	-10
To	1/4"	8	1400	10	75	50



Drawing 3434



Drawing 3539

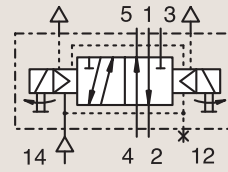


Drawing 8297

# 5/2

## 5 WAY PNEUMATIC DISTRIBUTORS (PIPE MOUNTING/SUB-BASE MOUNTING) PILOT OPERATED

ZINC ALLOY  
PIPE MOUNTING



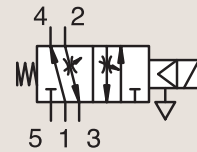
### DUAL SOLENOIDS

Port size	Orifice Ø	Flow factor	Operating Pressure Differential			Fluid Temp.		Seat Seal	Parker LUCIFER® Valves			Power		Coil Group	Dwg. No.
			Min	Max (MOPD)	Min	Max	Valve Ref.		Housing Ref.	Coil Ref.	AC W	DC W			
BSP	mm	Qn l/min	bar	AC bar	DC bar	°C	°C								
1/4"	8	1400	1	10	10	-10	75	NBR	347L11 <sub>1</sub>	-	482605	4	5	1.1	3461
	8	1400	1	10	10	-10	75	NBR	347L11 <sub>1</sub>	-	482606	2	2.5	1.1	3461
	8	1400	1	10	10	-10	75	NBR	347L11 <sub>1</sub>	8993	488980	2	2.5	1.1	3461
	8	1400	1	10	10	-10	75	NBR	347L11 <sub>1</sub>	8993	495865	2	2.5	1.1	3461
	8	1400	2	10	10	-10	100	FKM	E347L1130 <sub>1</sub>	2995	481865	8	9	2.1/3.0	3541
	8	1400	2	10	10	-10	100	FKM	E347L1130 <sub>1</sub>	4270	481000	8	8	2.1/3.0	3541

**Notes:**

1. With manual override

POM  
CETOP



### NORMALLY CLOSED

Port size	Orifice Ø	Flow factor	Operating Pressure Differential			Fluid Temp.		Seat Seal	Parker LUCIFER® Valves			IS	Power		Coil Group	Dwg. No.
			Min	Max (MOPD)	Min	Max	Valve Ref.		Housing Ref.	Coil Ref.	AC W		DC W			
BSP	mm	Qn l/min	bar	AC bar	DC bar	°C	°C									
-	6	800	1	10	10	-10	75	FKM	E341L02	2995	481865		8	9	2.1/3.0	3513
-	6	800	1	10	10	-10	75	FKM	E341L02	4270	481000		8	8	2.1/3.0	3513

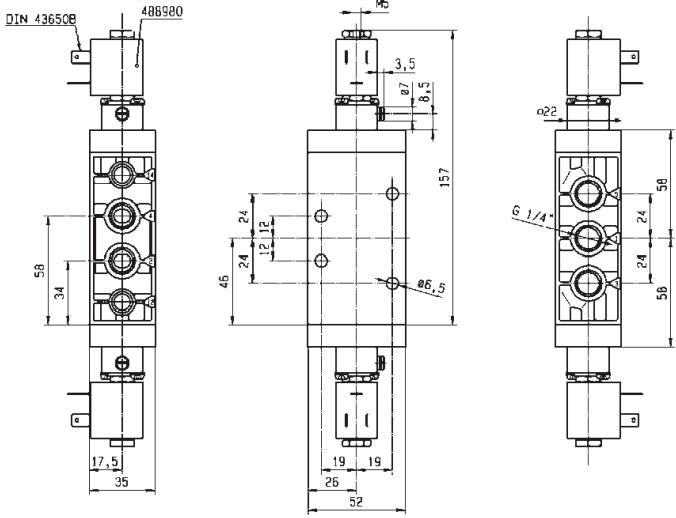
**Notes:**

1. Manual override and flow regulating screws standard

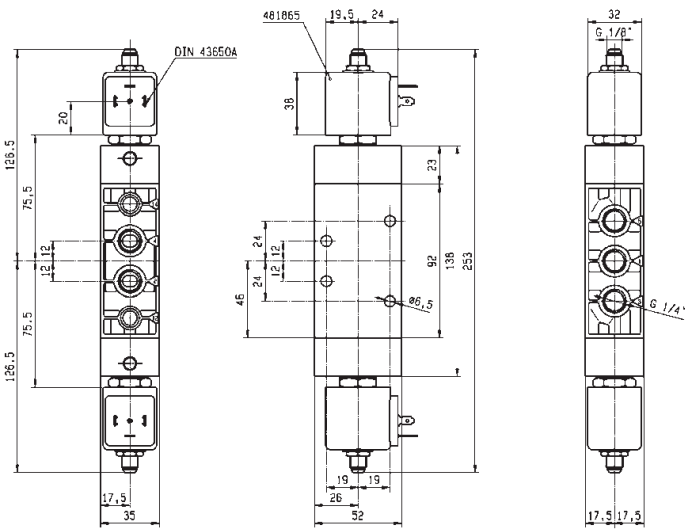
2. With manual override



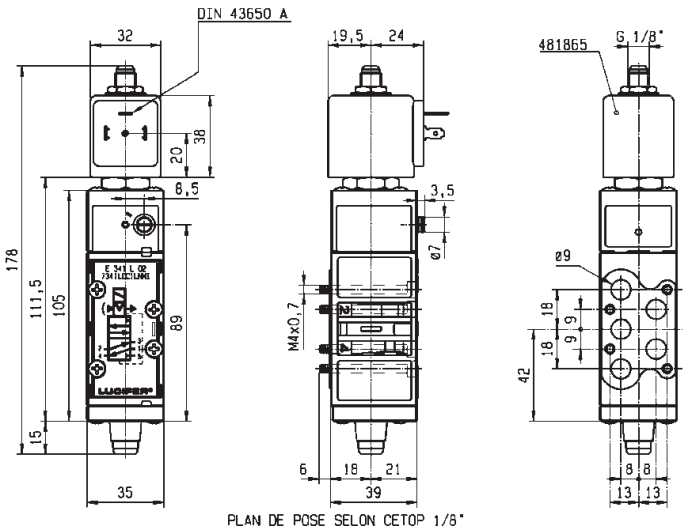
For this page	Port size	Orifice (mm)	Qn (l/min)	MOPD (bar)	Fluid Temp (°C)	Amb Temp (°C)
From	1/4"	6	800	10	-10	-10
To	1/4"	8	1400	10	100	50



Drawing 3461



Drawing 3541



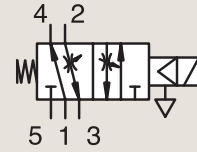
Drawing 3513

# 5/2

## 5 WAY PNEUMATIC DISTRIBUTORS (PIPE MOUNTING/SUB-BASE MOUNTING) PILOT OPERATED

POM  
CETOP

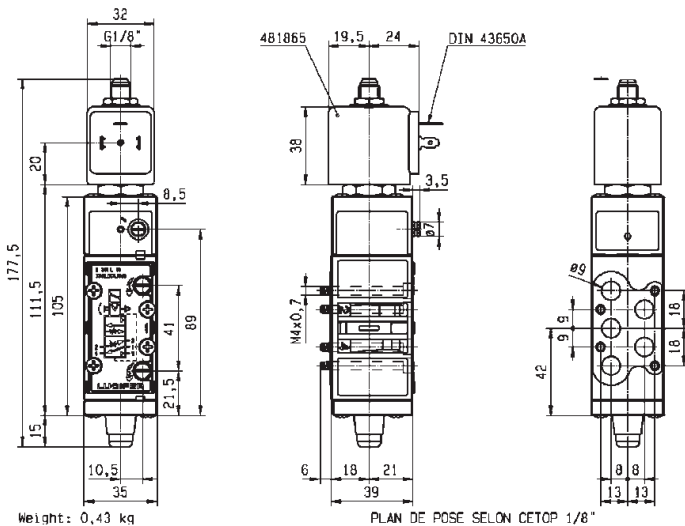
**NORMALLY CLOSED**



Port size	Orifice Ø 1	Flow factor Qn l/min	Operating Pressure Differential			Fluid Temp.		Seat Seal	Parker LUCIFER® Valves			IS	Power		Coil Group	Dwg. No.
			Min bar	Max (MOPD) AC bar DC bar	Min °C	Max °C	Valve Ref.		Housing Ref.	Coil Ref.	AC W		DC W			
-	8	800	1	10	10	-10	75	FKM	341L04 <sub>1</sub>	-	482605		4	5	1.1	3437
	8	800	1	10	10	-10	75	FKM	341L04 <sub>1</sub>	-	482606		2	2.5	1.1	3437
	8	800	1	10	10	-10	75	FKM	341L04 <sub>1</sub>	8993	488980		2	2.5	1.1	3437
	8	800	1	10	10	-10	75	FKM	341L04 <sub>1</sub>	8993	495865		2	2.5	1.1	3437
1/8"	6	800	1	-	10	-10	75	NBR	341L0197	2995	482740		-	1.6	6.0/8.0	8021
	6	800	1	10	10	-10	75	NBR	341L0197	-	495900		2.5	2	6.0/8.0	8021
	6	800	1	-	10	-10	75	NBR	341L0197	-	495910	*	-	0.3 to 3	6.0/8.0	8021
	6	800	1	-	10	-10	75	NBR	341L0197	2995	496125		-	1.6	6.0/8.0	8021
	6	800	1	10	10	-10	75	NBR	341L05 <sub>2</sub>	-	482605		4	5	1.1	3430
	6	800	1	10	10	-10	75	NBR	341L05 <sub>2</sub>	-	482606		2	2.5	1.1	3430
	6	800	1	10	10	-10	75	NBR	341L05 <sub>2</sub>	8993	488980		2	2.5	1.1	3430
	6	800	1	10	10	-10	75	NBR	341L05 <sub>2</sub>	8993	495865		2	2.5	1.1	3430
	6	800	1	10	-	-10	75	FKM	E341L01 <sub>1</sub>	2995	482722		10	-	2.1/3.0	3255
	6	800	1	10	10	-10	75	FKM	E341L01 <sub>1</sub>	-	483371		8	8	2.1/3.0	3255
	6	800	1	10	10	-10	75	FKM	E341L01 <sub>1</sub>	2995.33	491514		11	12	2.1/3.0	3255

**Notes:**

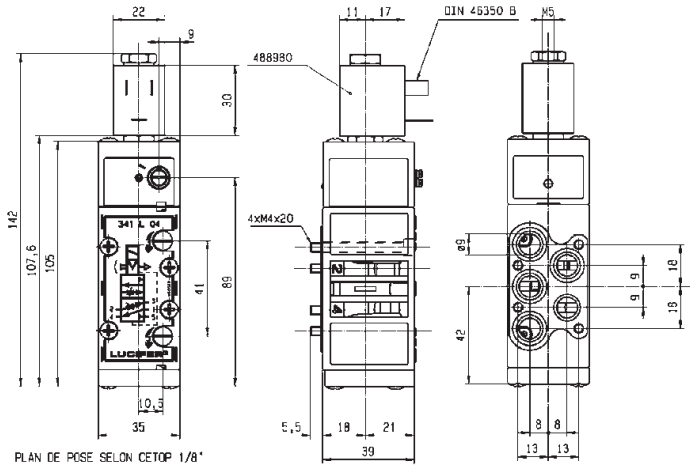
- 1. Manual override and flow regulating screws standard
- 2. With manual override



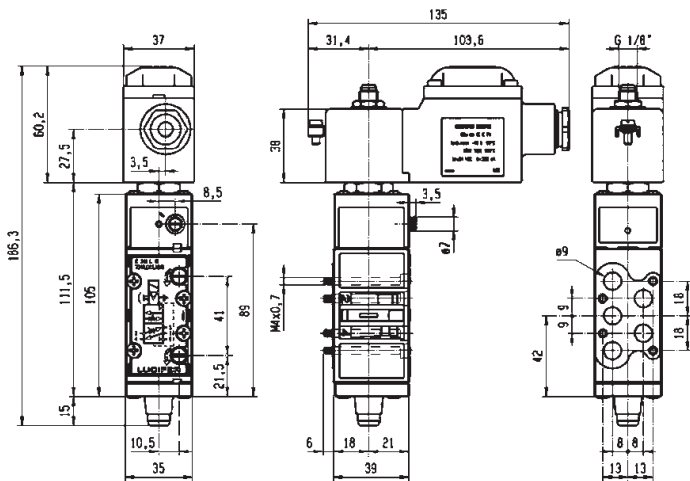
Drawing 3255



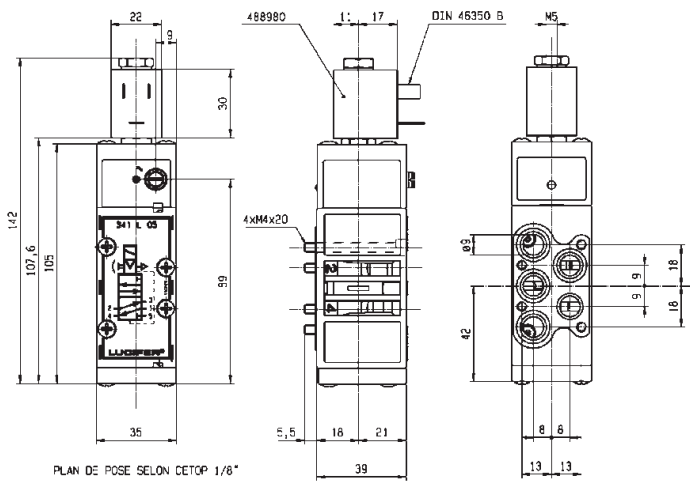
For this page	Port size	Orifice (mm)	Qn (l/min)	MOPD (bar)	Fluid Temp (°C)	Amb Temp (°C)
From	1/8"	6	800	10	-10	-20
To	1/8"	8	800	10	75	50



Drawing 3437



Drawing 8021

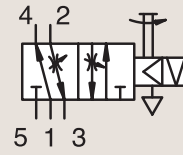


Drawing 3430

# 5/2

## 5 WAY PNEUMATIC DISTRIBUTORS (PIPE MOUNTING/SUB-BASE MOUNTING) PILOT OPERATED

POM  
CETOP



### CONTROL BY ELECTRIC IMPULSE

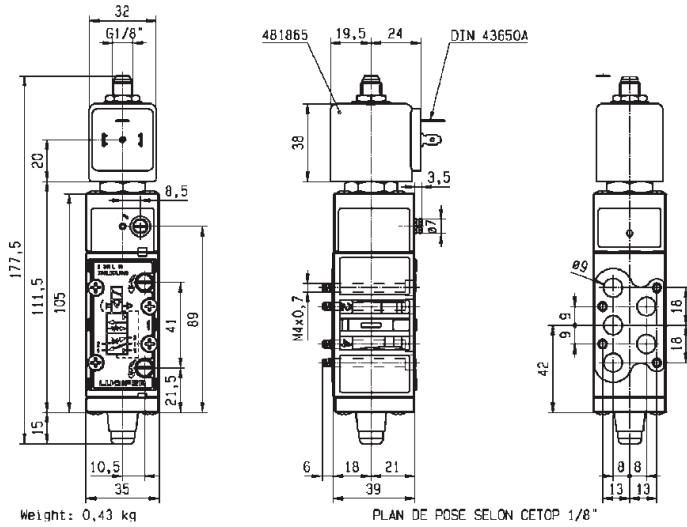
Port size	Orifice Ø	Flow factor	Operating Pressure Differential			Fluid Temp.		Seat Seal	Parker LUCIFER® Valves			Power		Coil Group	Dwg. No.
			Min	Max (MOPD)		Min	Max		Valve Ref.	Housing Ref.	Coil Ref.	AC W	DC W		
BSP	mm	Qn l/min	bar	AC bar	DC bar	°C	°C								
1/8"	6	800	1	-	10	-10	75	FKM	345L01 <sub>1</sub>	4269	485400	-	13	4.0	3255

**Notes:**

1. Manual override and flow regulating screws standard



For this page	Port size	Orifice (mm)	Qn (l/min)	MOPD (bar)	Fluid Temp (°C)	Amb Temp (°C)
From	1/8"	6	800	10	-10	-10
To	1/8"	6	800	10	75	50



Drawing 3255



# 5/2

## 5 WAY PNEUMATIC DISTRIBUTORS (PIPE MOUNTING/SUB-BASE MOUNTING) EXTERNALLY OPERATED



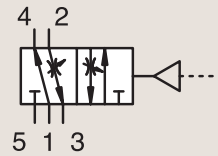
Process



Industrial Equipment

### ANODIZED ALUMINIUM SUB-BASE MOUNTING

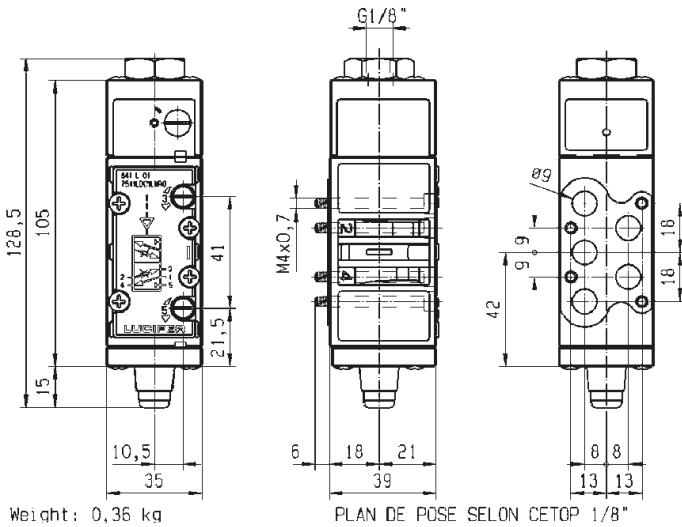
#### NORMALLY CLOSED



Port size	Orifice Ø 1 mm	Flow factor Qn l/min	Operating Pressure Differential			Fluid Temp.		Seat Seal FKM/ NBR	Parker LUCIFER® Valves			Power		Coil Group	Dwg. No.
			Min bar	Max (MOPD) AC bar	DC bar	Min °C	Max °C		Valve Ref.	Housing Ref.	Coil Ref.	AC W	DC W		
SB	7	800	1	10	10	-10	75	541L01	-	-	-	-	-	3254	



For this page	Port size	Orifice (mm)	Qn (l/min)	MOPD (bar)	Fluid Temp (°C)	Amb Temp (°C)
From	1/8"	7	800	10	-10	-10
To	1/8"	7	800	10	75	50



Drawing 3254