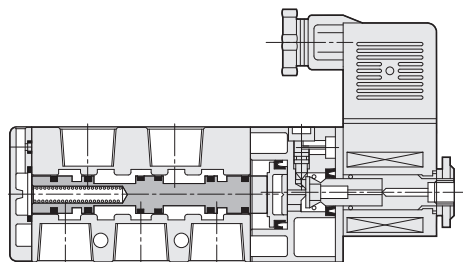
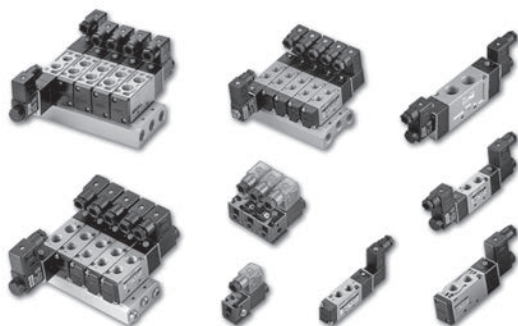


SV SERIES SOLENOID VALVE

Operation specification and order expression

CHELIC PNEUMATIC

Internal structure



SM
SOLENOID VALVE

SMB
SOLENOID VALVE

SMU
SOLENOID VALVE

SMUB
SOLENOID VALVE

SV
SOLENOID VALVE

SV310
SOLENOID VALVE

SN
SOLENOID VALVE (NAMUR)

PM
PILOT VALVE

PMB
PILOT VALVE

PMU
PILOT VALVE

PMUB
PILOT VALVE

PV
PILOT VALVE

PN
PILOT VALVE (NAMUR)

Specification

| Item | Model | SV-5101 | SV-5201 | SV-5231 | SV-6101(2) | SV-6201(2) | SV-6231 | SV-6232 | SV-8102(3) | SV-8202(3) | SV-8232 | SV-8233 | SV-9104 | SV-9204 |
|-------------------------------------|---------------------------|--------------------------------------|------------------------|------------------------|------------------------|------------------------|------------------------|------------------------|------------------------|------------------------|------------------------|------------------------|------------------------|------------------------|
| | | Fluid | | Air | | | | | | | | | | |
| Pressure range | Kgf/cm ² (Kpa) | 1 ~ 7 (100 ~ 700) | | | | | | | | | | | | |
| Operating ambient temperature range | °C | 0 ~ 60 | | | | | | | | | | | | |
| Operating method | | Air pilot | | | | | | | | | | | | |
| Number of positions ports | mm ² (CV) | 5 Ports 2 positions | 5 Ports 3 positions | 5 Ports 2 positions | 5 Ports 3 positions | 5 Ports 2 positions | 5 Ports 3 positions | 5 Ports 2 positions | 5 Ports 3 positions | 5 Ports 2 positions | 5 Ports 3 positions | 5 Ports 2 positions | 5 Ports 3 positions | 5 Ports 3 positions |
| Valve function | | Normal closed | | | | | | | | | | | | |
| Orifice | | 12(0.67) | | | 14(0.78) | | | | 25(1.4) | | | | 50(2.78) | |
| Manual button | | Push and lock(SV-500 Push type only) | | | | | | | | | | | | |
| Connection port | | Rc 1/8 | | Rc 1/8 , 1/4 | | | Rc 1/4 , 3/8 | | | | Rc 1/2 | | | |
| Lubrication | | Lubrication free type | | | | | | | | | | | | |

Note : Custom made for NPT thread type ◦

How to order

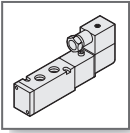
Item : SV series Solenoid Valve

SV — **6** — **1** — **0** — **2** — **110 VAC** — **K** — **L** — **M** — **2**

| Model | Coil no. | Positions no. | Port size | Voltage type | Connection type | With LED | No. of manifolds |
|--|----------------------------------|------------------------|--|--|---|---|--|
| 5:500 series 6:600 series 8:800 series 9:900 series | 1: Single coil 2: Double coil | 0: 2 Pos. 3: 3 Pos. | 1: Rc1/8 2: Rc1/4 3: Rc3/8 4: Rc1/2 | Standard : 24VDC / 2.5W 110VAC / 3W 220VAC / 3W Special voltage : 12VDC / 2.5W 24VDC / 1.5W 24VAC / 5W 220VAC / 5W Suitable for 190~250V (For high pressure range) | ISO Socket solenoid type (Special voltage option) | None (Standard) Without led (Black case) ISO Socket solenoid type with lead for AC, DC (Transparent case) | None : Without manifold M2 = 2 sets M3 = 3 sets M12 = 12 sets ※ SV500 series Max. manifolds : M10 ※ SV600 series Max. manifolds : M12 ※ SV800 series Max. manifolds : M12 ※ SV900 series Max. manifolds : M5 |

Note : 1.Special voltage needs to be marked ◦
 2.The standard of SV500 series is with wire type ◦
 For SV600 , 800 , 900 series , standard type is ISO socket type ◦

Solenoid with wire (450mm)
 (Wired solenoid are standard voltage only)



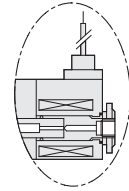
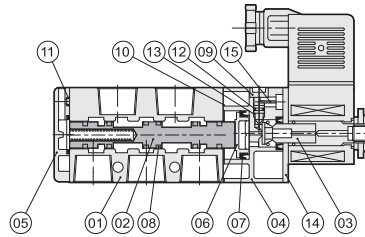
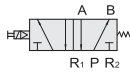
SOLENOID VALVE - SV 500、600、800、900 SERIES

Components and Material table

CHELIC PNEUMATIC

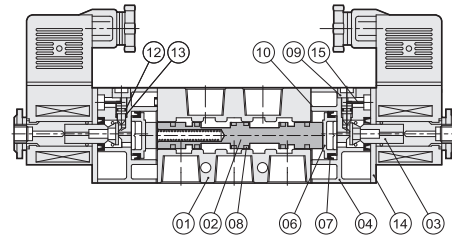
Internal structure

- Single coil 5 Ports 2 positions

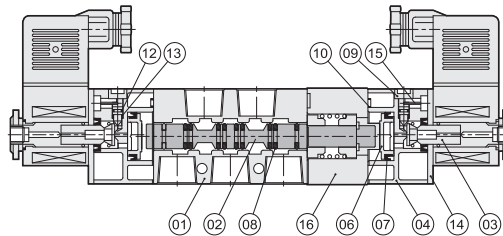


- [W] With wire type

- Double coil 5 Ports 2 positions



- Double coil 5 Ports 3 positions



Material of major parts list

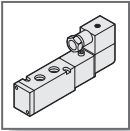
| No. | Item | Material | No. | Item | Material |
|-----|----------------|----------------|-----|---------------|-----------------|
| 01 | Body | Aluminum alloy | 09 | Manual rod | Plastic steel |
| 02 | Sliding rod | Aluminum alloy | 10 | O-Ring | NBR |
| 03 | Copper tube | Copper | 11 | O-Ring | NBR |
| 04 | Holder | Plastic steel | 12 | O-Ring | NBR |
| 05 | End cover | Plastic steel | 13 | Spring | Stainless steel |
| 06 | Piston | Plastic steel | 14 | Iron plate | Iron |
| 07 | Piston packing | NBR | 15 | Iron plate | Iron |
| 08 | Rod packing | NBR | 16 | Middle holder | Plastic steel |

Note : The main body has been treated with painting ◦

Packing and o-ring

| Item | Piston packing | Middle holder O-Ring | Manual rod O-Ring | End cover O-Ring |
|----------------|----------------|----------------------|-------------------|------------------|
| Model \ Number | 1 | 1 | 1 | 1 |
| SV 500 | — | — | ∅2X∅1 | — |
| SV 600 | MYA-14 | ∅2X∅1.5 | ∅2X∅1 | ∅17.5X∅1.5 |
| SV 800 | MYA-18 | ∅2X∅1.5 | ∅2X∅1 | ∅19.5X∅1.5 |
| SV 900 | Z8-2822 | ∅3.5X∅1.5 | ∅2X∅1 | ∅22.8X∅1.58 |

Note : Piston packing and Rod packing are imported ◦ (MITSUBISHI , SAKAGAMI and so on)



SV SERIES SOLENOID VALVE - SV 500

External Dimensionse

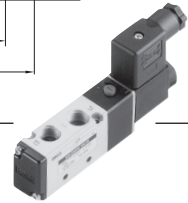
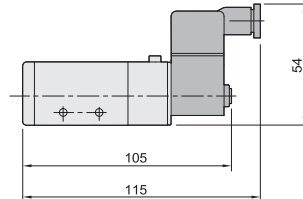
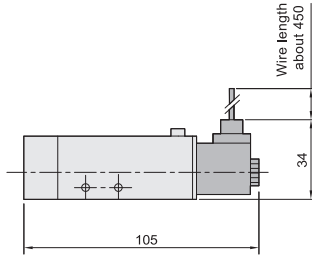
CHELIC PNEUMATIC

500 Series Coil operated type

— Wire type (Standard)

— Socket & connection type (Optional)

● With LED (Optional)



SM
SOLENOID
VALVE

SMB
SOLENOID
VALVE

SMU
SOLENOID
VALVE

SMUB
SOLENOID
VALVE

SV
SOLENOID
VALVE

SV310
SOLENOID
VALVE

SN
SOLENOID
VALVE
(NAMUR)

PM
PILOT
VALVE

PMB
PILOT
VALVE

PMU
PILOT
VALVE

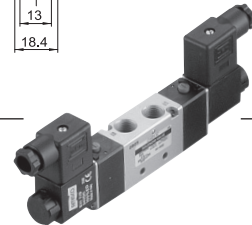
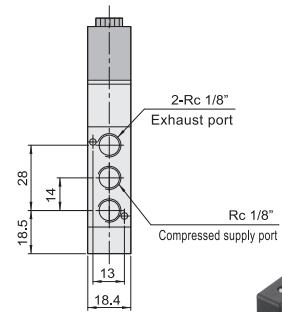
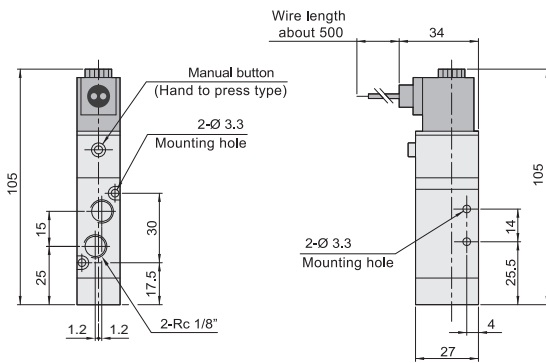
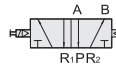
PMUB
PILOT
VALVE

PV
PILOT
VALVE

PN
PILOT
VALVE
(NAMUR)

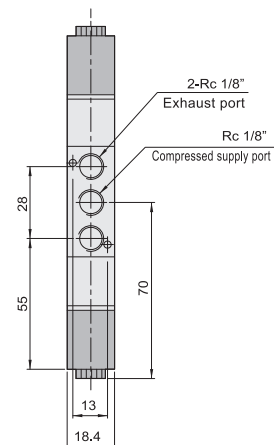
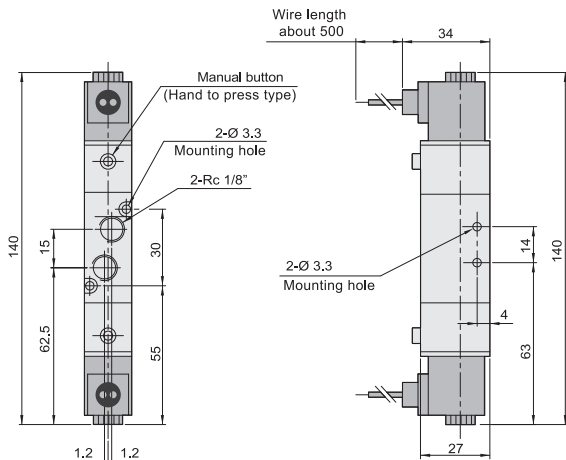
SV - 5101 series

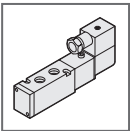
Single coil
5 Ports 2 positions



SV - 5101 series

Double coil
5 Ports 3 positions





SV SERIES SOLENOID VALVE - SV 600

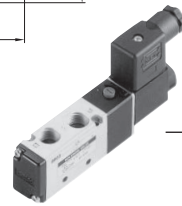
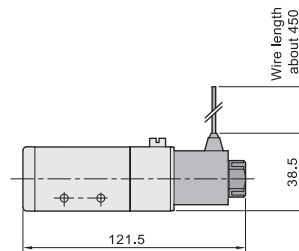
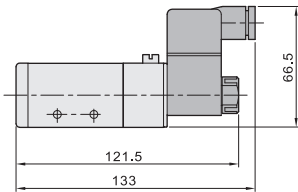
External Dimensionse

CHELIC PNEUMATIC

600 series Coil operated type

- DIN Connection type (Standard)
 - With LED (Optional)

— Wire type (Optional)



SM
SOLENOID VALVE

SMB
SOLENOID VALVE

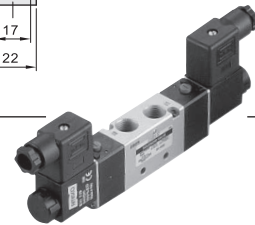
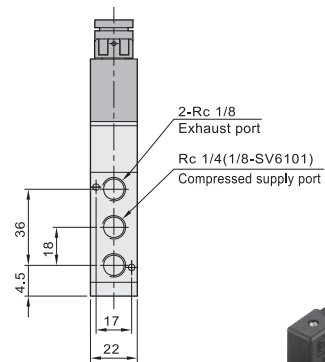
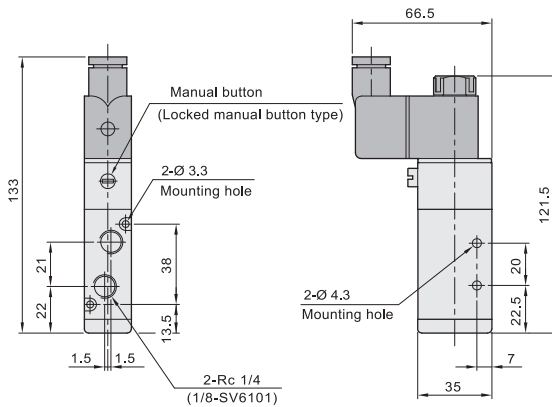
SMU
SOLENOID VALVE

SMUB
SOLENOID VALVE

SV
SOLENOID VALVE

SV - 6102 series

Single coil
5 Ports 2 positions



SV310
SOLENOID VALVE

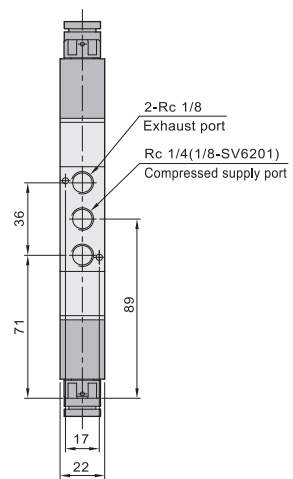
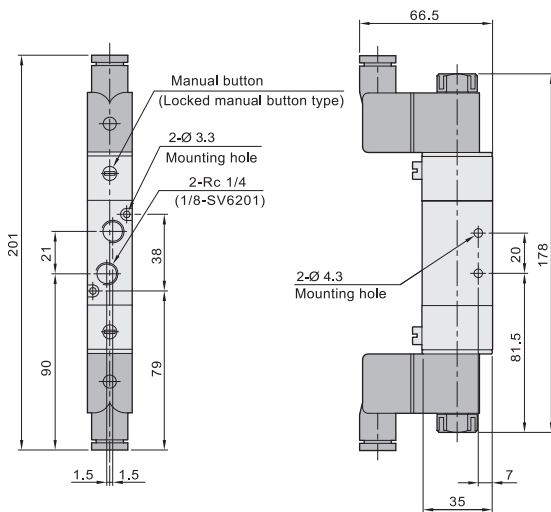
SN
SOLENOID VALVE (NAMUR)

PM
PILOT VALVE

PMB
PILOT VALVE

SV - 6202 series

Double coil
5 Ports 3 positions

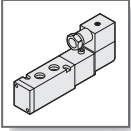


PMU
PILOT VALVE

PMB
PILOT VALVE

PV
PILOT VALVE

PN
PILOT VALVE (NAMUR)



SV SERIES SOLENOID VALVE - SV 600

External Dimensionse

CHELIC PNEUMATIC

SV-6232 - series

Double coil
5 Ports 3 positions



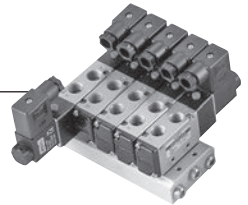
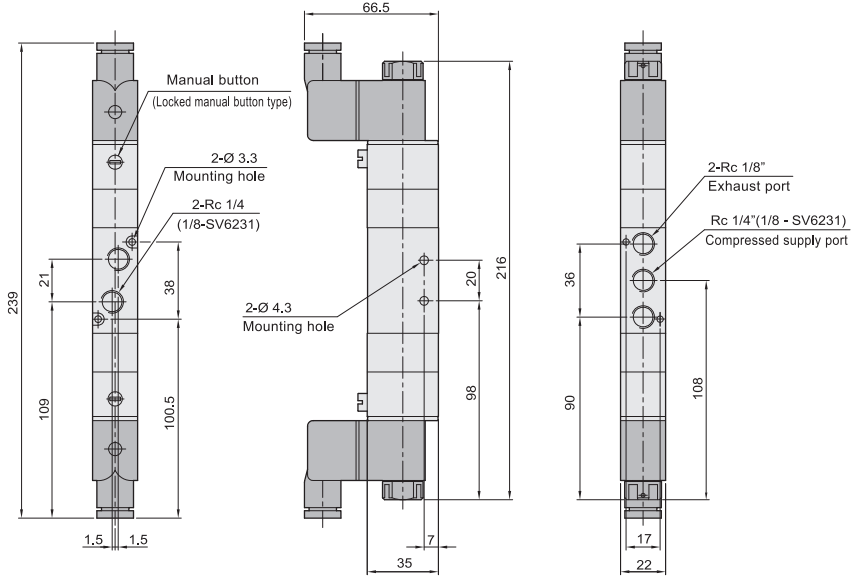
SV-6232- **NC** (Normal close N.C.)



SV-6232- **NF** (Normal free N.F.)

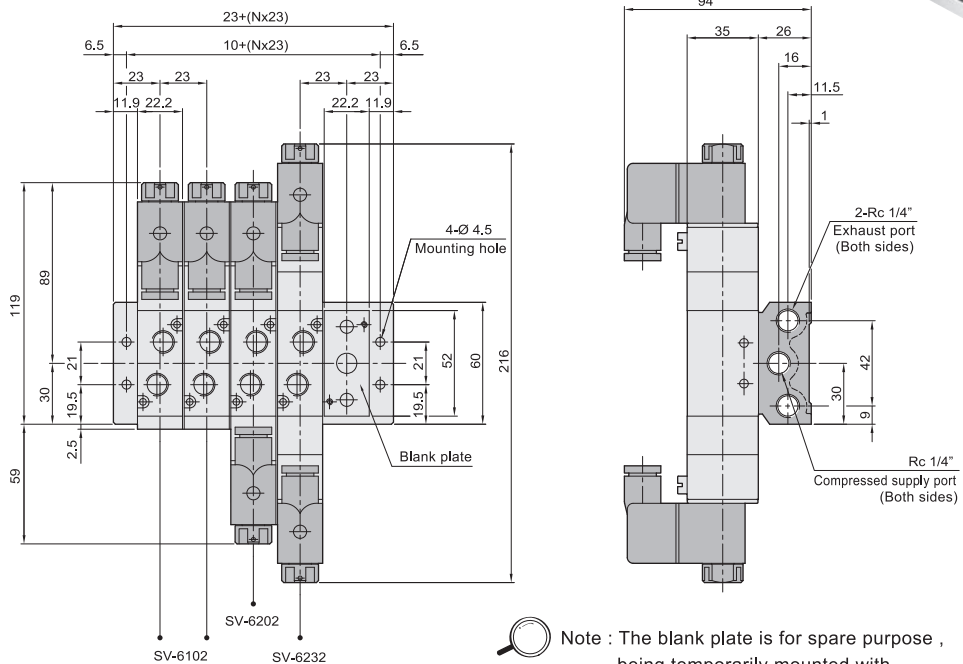


SV-6232- **NO** (Normal open N.O.)

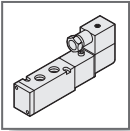


SV 600 series

Manifold Dimensions



Note : The blank plate is for spare purpose , being temporarily mounted with lead-resistant rubber piece ◦



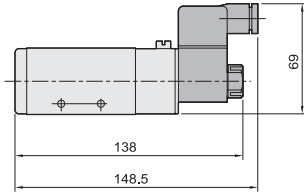
SV SERIES SOLENOID VALVE - SV 800

External Dimensionse

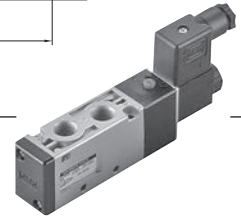
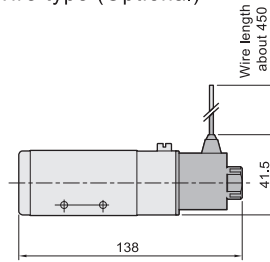
CHELIC PNEUMATIC

800 series Coil operated type

- DIN Connection type (Standard)
 - With LED (Optional)



- Wire type (Optional)



SM
SOLENOID
VALVE

SMB
SOLENOID
VALVE

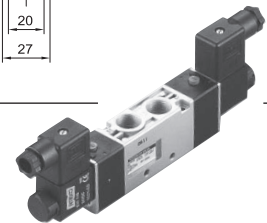
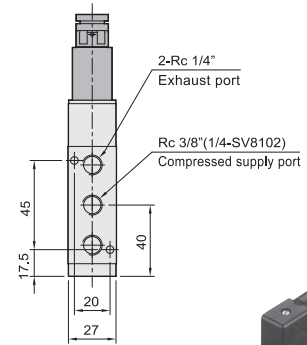
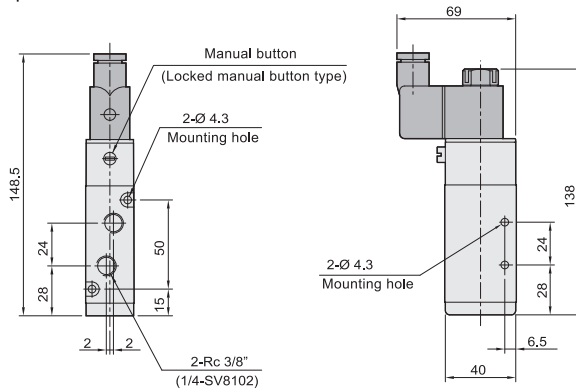
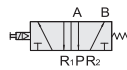
SMU
SOLENOID
VALVE

SMUB
SOLENOID
VALVE

SV
SOLENOID
VALVE

SV - 8103 series

Single coil
5 Ports 2 positions



SV310
SOLENOID
VALVE

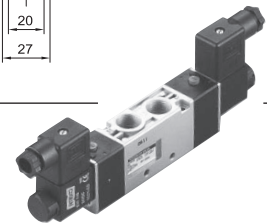
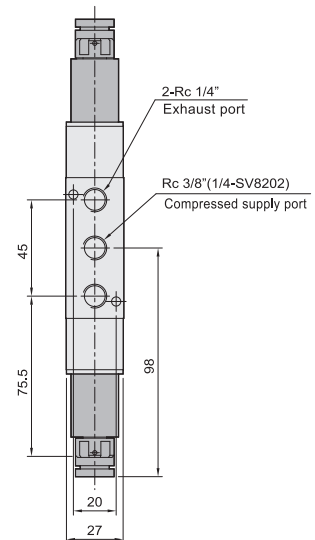
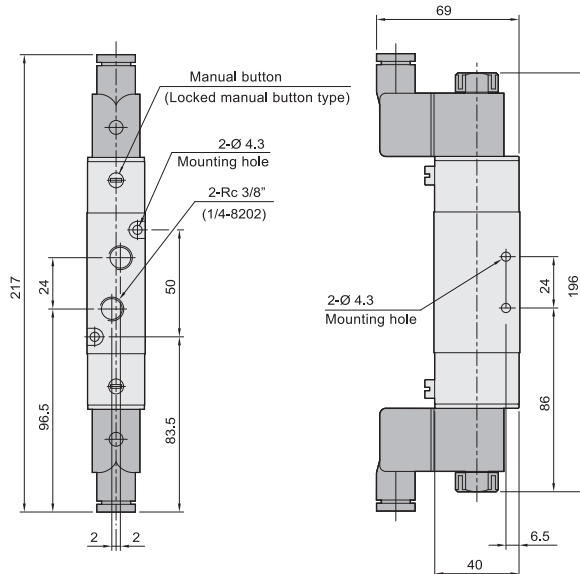
SN
SOLENOID
VALVE
(NAMUR)

PM
PILOT
VALVE

PMB
PILOT
VALVE

SV - 8203 series

Double coil
5 Ports 3 positions

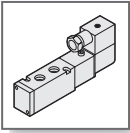


PMU
PILOT
VALVE

PMUB
PILOT
VALVE

PV
PILOT
VALVE

PN
PILOT
VALVE
(NAMUR)



SV SERIES SOLENOID VALVE - SV 800

External Dimensionse

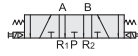
CHELIC PNEUMATIC

SV-8233 - series

Double coil
5 Ports 3 positions



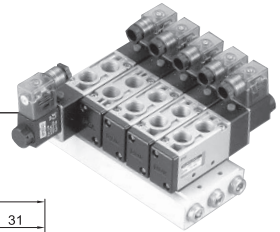
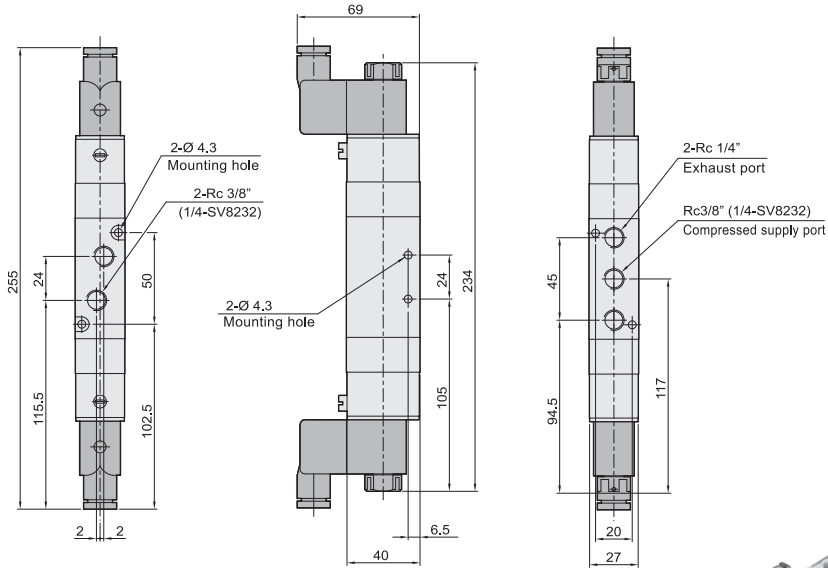
SV-8233- **[NC]** (Normal close N.C.)



SV-8233- **[NF]** (Normal free N.F.)

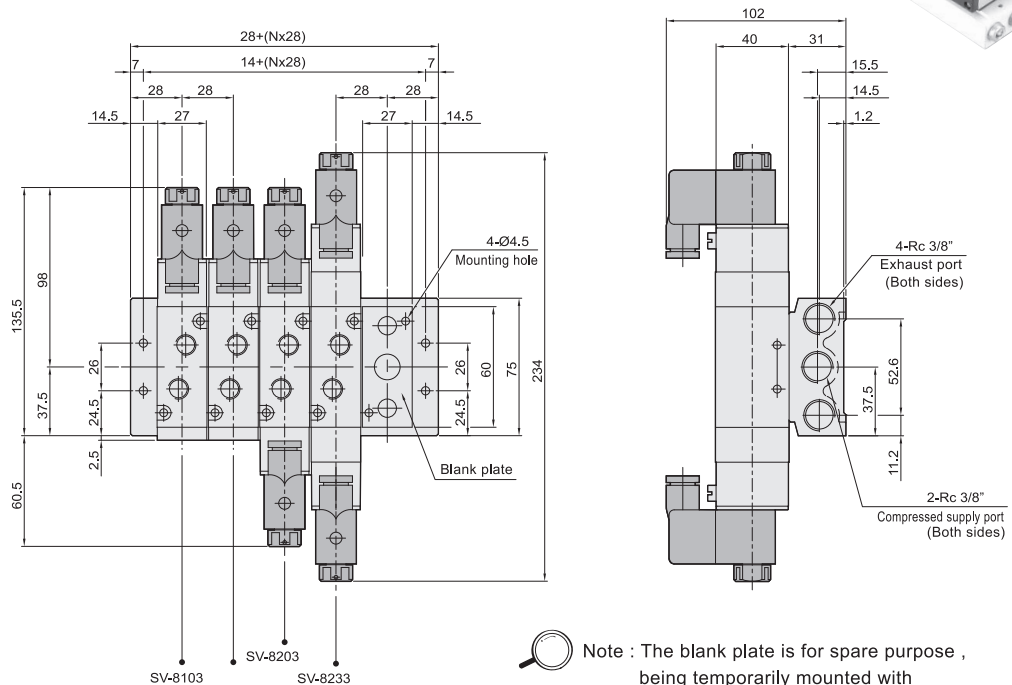


SV-8233- **[NO]** (Normal open N.O.)

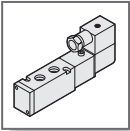


SV 800 series

Manifold Dimensions



Note : The blank plate is for spare purpose , being temporarily mounted with lead-resistant rubber piece .



SV SERIES SOLENOID VALVE - SV 900

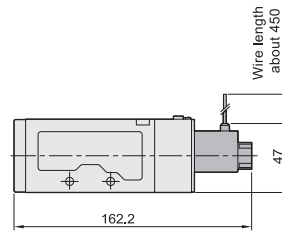
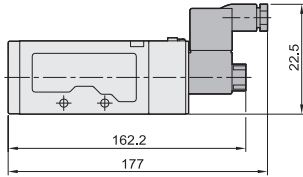
External Dimensionse

CHELIC PNEUMATIC

900 series Coil operated type

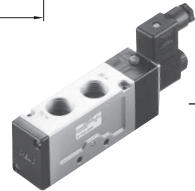
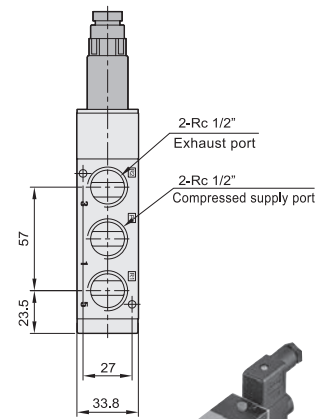
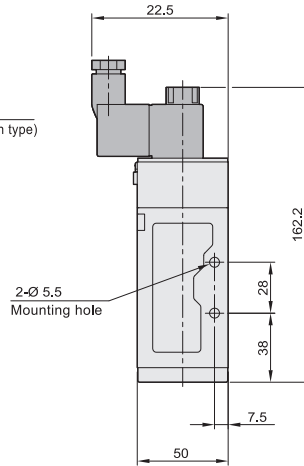
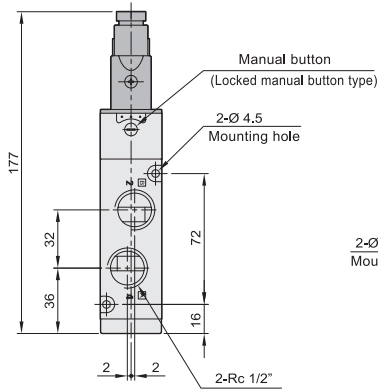
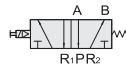
- DIN Connection type (Standard)
 - With LED (Optional)

— Wire type (Optional)



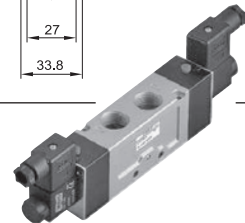
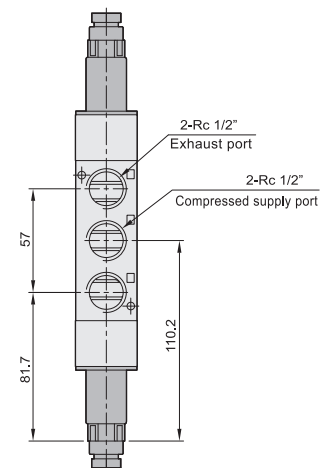
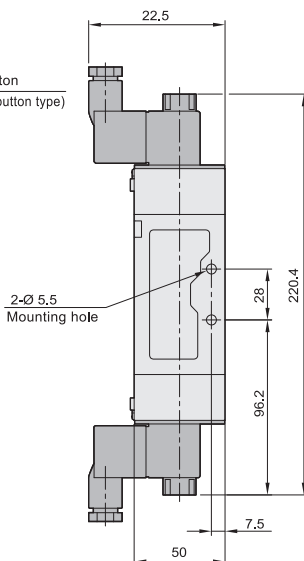
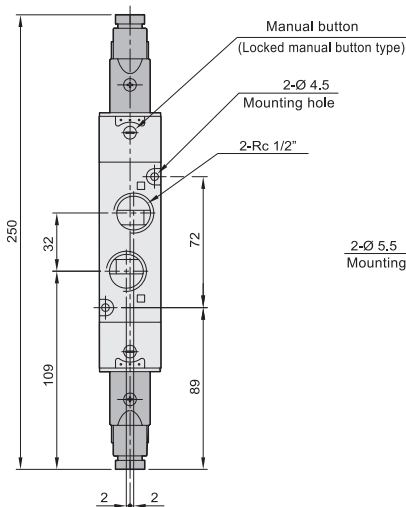
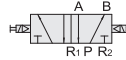
SV - 9104 series

Single coil
5 Ports 2 positions



SV - 9204 series

Double coil
5 Ports 3 positions



SM
SOLENOID
VALVE

SMB
SOLENOID
VALVE

SMU
SOLENOID
VALVE

SMUB
SOLENOID
VALVE

SV
SOLENOID
VALVE

SV310
SOLENOID
VALVE

SN
SOLENOID
VALVE
(NAMUR)

PM
PILOT
VALVE

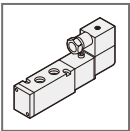
PMB
PILOT
VALVE

PMU
PILOT
VALVE

PMUB
PILOT
VALVE

PV
PILOT
VALVE

PN
PILOT
VALVE
(NAMUR)



SV SERIES SOLENOID VALVE - SV 900

External Dimensionse

CHELIC PNEUMATIC

SV-9234 - series

Double coil
5 Ports 3 positions



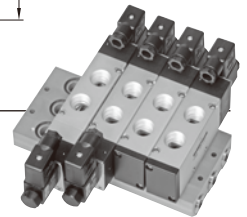
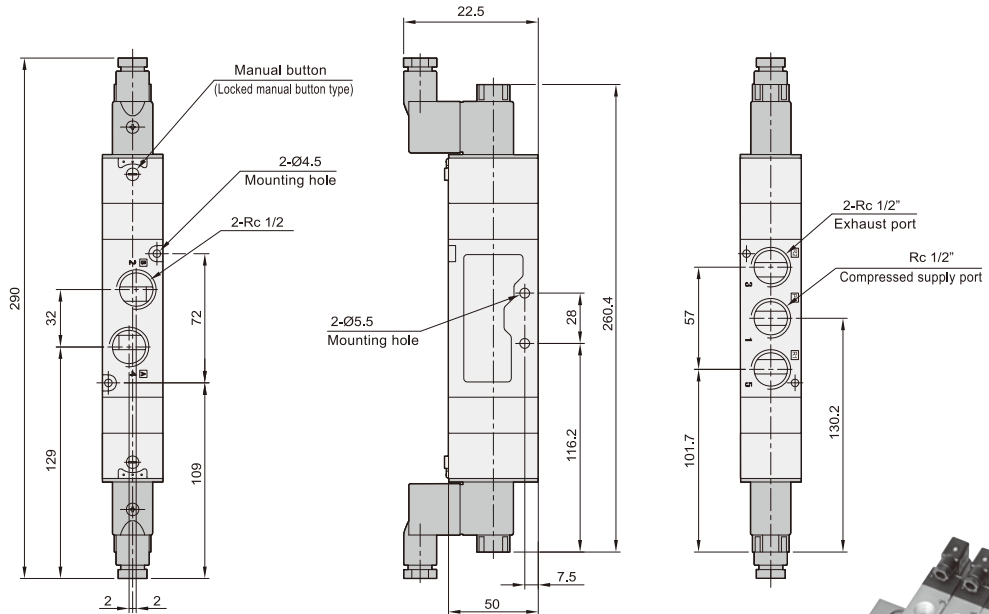
SV-9234- **NC** (Normal close N.C.)



SV-9234- **NF** (Normal free N.F.)

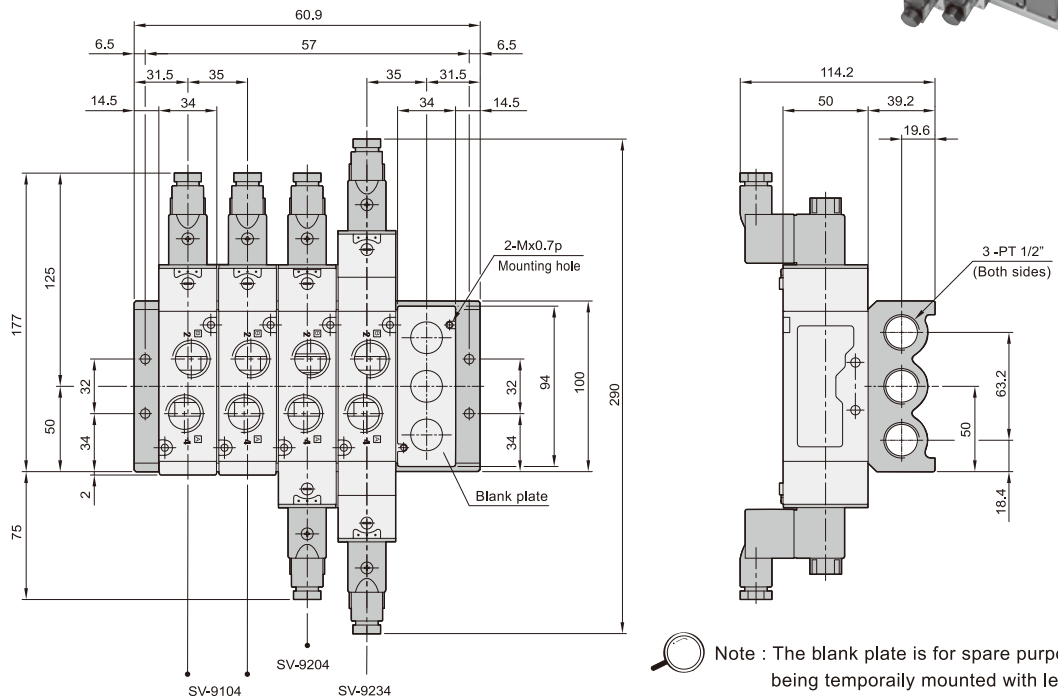


SV-9234- **NO** (Normal open N.O.)



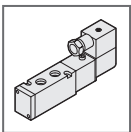
SV 900 series

Manifold Dimensions



Note : The blank plate is for spare purpose , being temporarily mounted with lead - resistant rubber piece -

※ For SV 900 Series Max. Manifold is 5 -

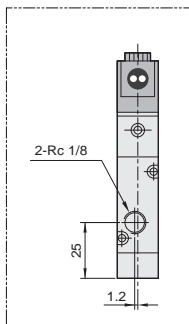
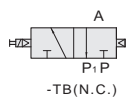
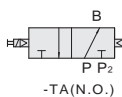


SV SERIES SOLENOID VALVE - SV 500 ~ SV 600

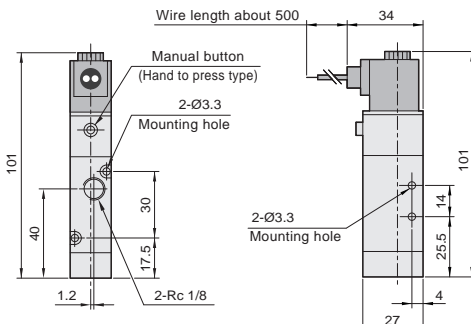
External Dimensions / 3 Ports 2 positions

CHELIC PNEUMATIC

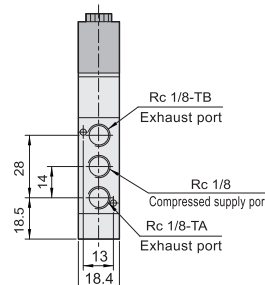
SV-5101 - Single coil
3 Ports 2 positions



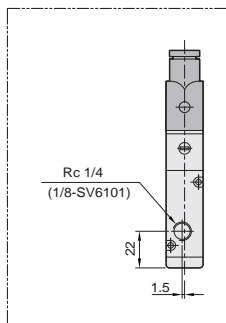
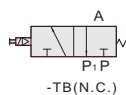
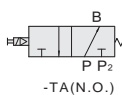
- TA



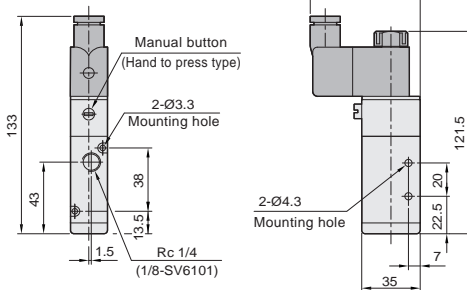
- TB



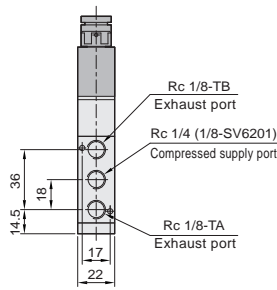
SV-6101 - Single coil
3 Ports 2 positions



- TA



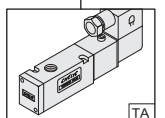
- TB



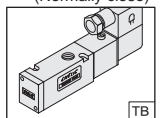
How to order

| | | | | | | | | |
|------------------------------|----------------------------------|---------------|---|--------------------|---|-----------------|----------|----------|
| SV | 6 | 1 | 0 | 2 | TA | 110 VAC | K | L |
| Model | Coil no. | Positions no. | Port size | Orifice derrection | Voltage type | Connection type | With LED | |
| 5:500 series 6:600 series | 1: Single coil 2: Double coil | 0: 2 Pos. | Code Port Model 1 1/8 500 600 2 1/4 - | | Standard : 24VDC/2.5W 110VAC/3W 220VAC/3W Special voltage : 12VDC/2.5W 24VDC/1.5W 24VAC/5W 220VAC/5W Suitable for 190-250V (For high pressure range) | | | |

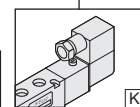
Note : 1.Special voltage needs to be marked ◦
2.The standard of SV500 series is with wire type ;
For SV600 series , standard type
is ISO socket type ◦



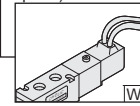
TA : B orifice derrection (Normally close)



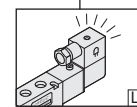
TB : A orifice derrection (Normally open)



ISO Socket solenoid type (Special voltage option)



Solenoid with wire (450mm) (Wired solenoid are standard voltage only)



None (Standard) Without led (Black case)

ISO Socket solenoid type with lead for AC, DC (Transparent case)

SM
SOLENOID VALVE

SMB
SOLENOID VALVE

SMU
SOLENOID VALVE

SMUB
SOLENOID VALVE

SV
SOLENOID VALVE

SV310
SOLENOID VALVE

SN
SOLENOID VALVE (NAMUR)

PM
PILOT VALVE

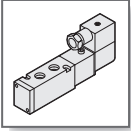
PMB
PILOT VALVE

PMU
PILOT VALVE

PMUB
PILOT VALVE

PV
PILOT VALVE

PN
PILOT VALVE (NAMUR)



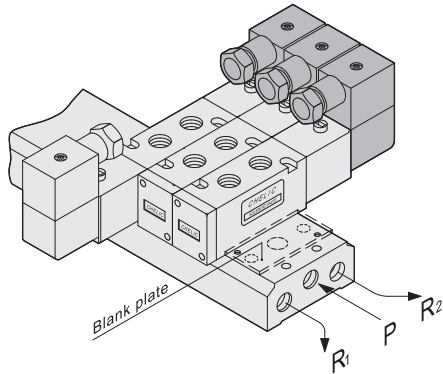
SV SERIES Solenoid valve

Accessories and device

CHELIC PNEUMATIC

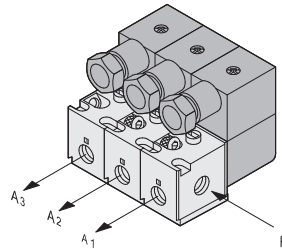
Manifold

SV-500、600、800、900 series



Manifold

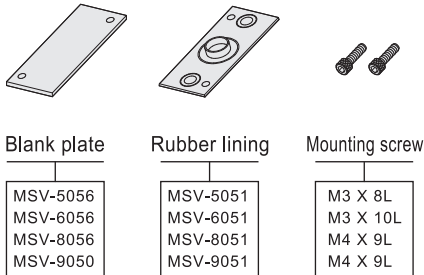
SV-310 series



Manifold parts

SV-500、600、800、900 series

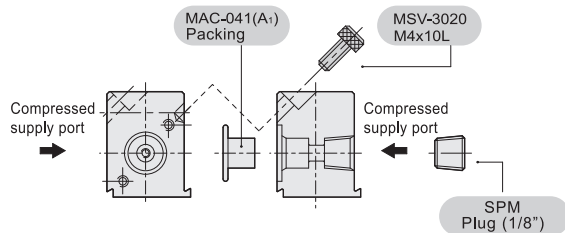
※ The accessories of blank plate



Manifold parts

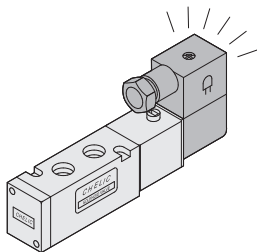
SV-310 series

※ One set of accessories is used in the connection



With LED - L

There is no protection from surge voltage for this product ◦



Handing details and precaution

1. Please keep the tube fitting clean ◦
2. Please wrap the thread by tape seal and leave about 2 pitches unwrapped at the end to as avoid clogging in the air line ◦

