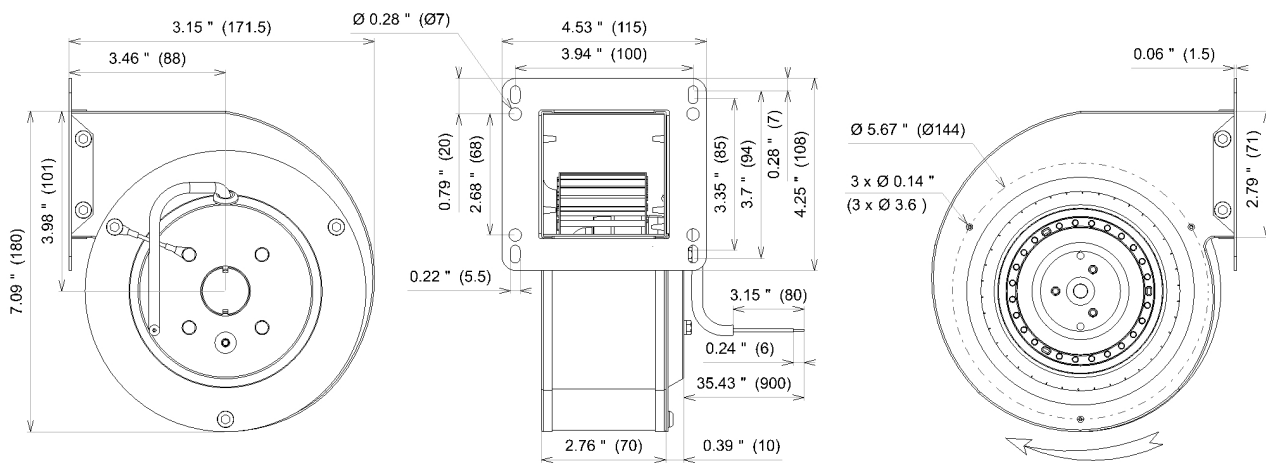


Ind. d - Revision : 03-2011

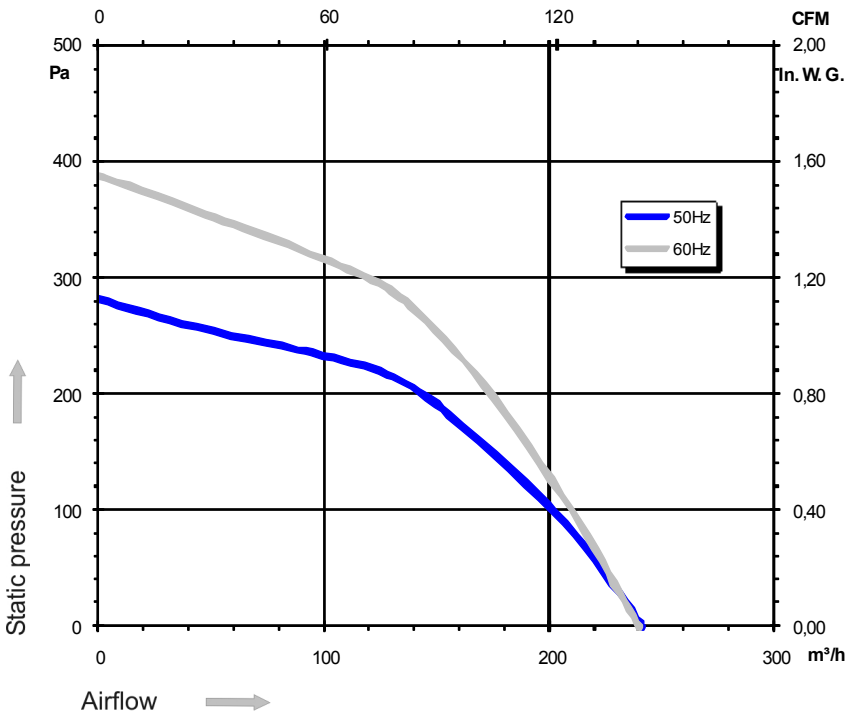
## 2GREu15 133x49R P/N C45-D5

Voltage	Frequency	Input power	Current	Capacitor	Airflow	Speed rotation	Noise level	Rotation direction	Operating temperature
V	Hz	Wa	A	µF	m³/h	RPM	dBA	↻	Min / Max
230	50	73	0,32	2,0	240	2 015	57	R	-40°C / +70°C
230	60	89	0,39	2,0	240	1 980	57	R	-40°C / +70°C
230	50				141 CFM				-40°F / +158°F
230	60				141 CFM				-40°F / +158°F



Rotation "CW"

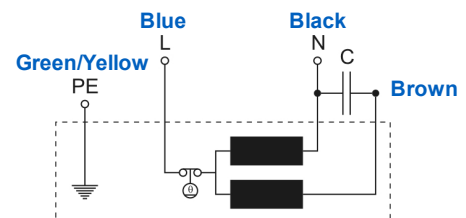
- Weight : 2,2 Kg
- Ball bearing
- Class F, thermally protected
- IP44 protection
- G2.5 balancing
- Galvanized steel impeller
- Rotor : black paint
- Scroll housing : black paint
- UL approved motor



UL2111 (XEWR2,8)  
N° File E135223  
2RS915



Capacitor for 50Hz	Capacitor for 60Hz	Finger guard
19217	19217	21236



Non contractual document. All specifications are subject to change without prior notice. Picture for information only.