

*23-630A1 Kazıyıcısı için planet tip redüktör temini..... 1 Adet

Marka: Bonfiglioli

Serial No: US43K0742

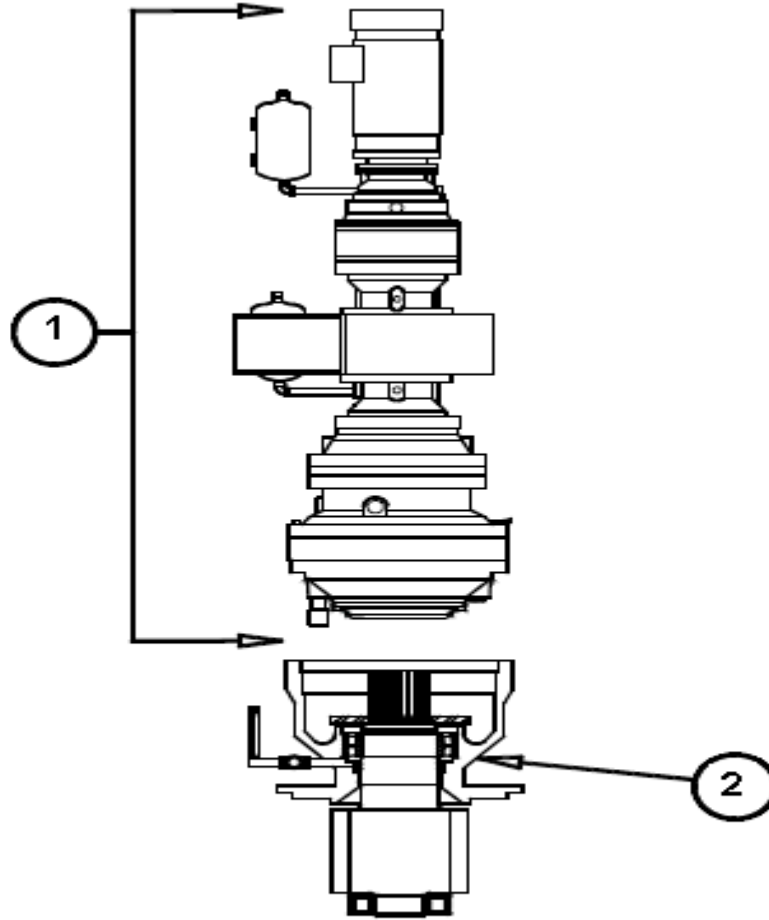
Date: 10.14.2013

FLSmith Job No: 13-2565

Bonfiglioli Sales Order Number: 1422098153

| | | | |
|-------------------------------|-----------------|---------|-------|
| FLSMIDTH | JOB N° 13-2565 | doc. N° | |
| | Primary reducer | SECT | 2.1.1 |
| "BONFIGLIOLI" Primary reducer | | | |
| Model N° 305 L3 MZ | | | |
| FLS CODE: | 548587EC | | |
| ITEM 1 | B.O.M 677712 | | |

Temin Edilecek Parçalar



- 1- Input drive assembly
- 2- Upper bearing housing






Mobile Equipment
and Wind Energy Solutions

300 series

Planetary drives



Torque Range: 1000 ... 450.000 N
Transmissible Mechanical Power: up to 450 kW
Gear Ratios: i=3,4 ... 5.000
Gear Unit Versions
 In line
 Right angle (with a spiral bevel gear set)
Output Configuration
 Foot and flange mounted
 Output shaft: solid with key, splined, splined hollow,
 hollow with shrink disc
Input Configurations
 Flanged axial piston hydraulic motors
 Hydraulic orbit motors
 IEC and Nema motor adaptors
 Solid input shaft
Hydraulic Brake
 Hydraulically released parking brake on request
Electric Brake
 DC and AC type

| Type | Max. Torque Nm | Max. power kW | Max. input speed RPM | Range of ratios | | | Design |
|------|-------------------|------------------|-------------------------|--|--|---|--------|
| | | | |  Inline |  Right angle |  Combined with worm gear | |
| 300 | 1000 | 20 | 3000 | 3,4 - 2700 | 7 - 700 | 400 - 2300 | A |
| 301 | 1750 | 30 | 3000 | 3,4 - 2700 | 7 - 700 | 400 - 2300 | A |
| 303 | 2500 | 40 | 3000 | 3,6 - 2800 | 9 - 800 | 400 - 2400 | A |
| 305 | 5000 | 60 | 3000 | 3,6 - 2800 | 9 - 800 | 400 - 2400 | A |